

Superior vinyl  
Elegance  
Freedom from wear  
Heat/cold resistance  
Dual/triple glass options



**Kent**  
Patio Door Series



# Standard and Optional Features



## Standard Hardware

Comes standard with 9900 Contemporary Twin-point Locking Systems in black, white or optional satin nickel.

Optional silver mini-blinds also available for privacy and heat reduction.



## Optional Hardware

### Stylish Lock Sets

These unique handle sets can be configured with heavy-duty multi-point key locks.



Black Finish



White Finish



Satin Nickel (Optional)

## Optional Security Locks



**Two-position Kick Locks** mount on the bottom of the operating door. Used as secondary locks and available in white, beige or brown.



**Guardian Locks** mount on the top of the operating door; security bolt locks into the frame. Available in white, beige or brown.



**Folding Security Bars** mount on the fixed side of the door frame and swing down to stop the door from operating.

## Optional Sidelites and Transoms

Frame your patio door in outdoor light with a transom or sidelite. The frame is made of PVC, virtually maintenance-free and available in a wide selection of finishes and glass types.

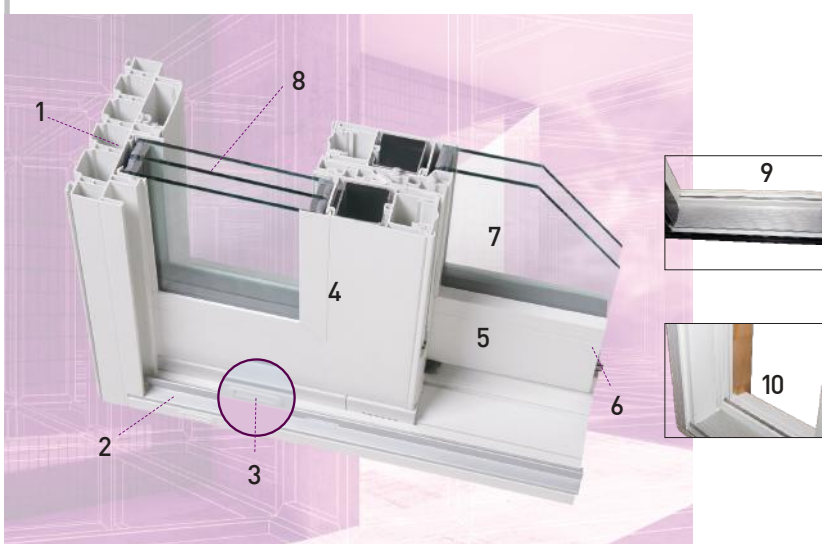
## Frame Options



Victorian All-Vinyl Frame



Buckingham Wood Frame with Vinyl Cladding



## Kent Cross-Section

1. 5<sup>7</sup>/<sub>8</sub>" size frame
2. Anodized screen track
3. Draining system with anti-return flap
4. 3<sup>3</sup>/<sub>4</sub>" welded steel reinforced sash
5. Standard precision rollers
6. Stainless steel roller track
7. Standard 1" dual-glaze with Low-E argon
8. Optional 1<sup>3</sup>/<sub>8</sub>" triple-glazed with Low-E argon
9. Standard anodized sill cover threshold
10. Standard exterior jamb pocket cover

## Optional Internal Mini-Blinds

- Fingertip operation
- No external cords
- No dusting
- Low-E glass

Available for 59<sup>1</sup>/<sub>2</sub>" x 79<sup>1</sup>/<sub>2</sub>" and 71<sup>1</sup>/<sub>2</sub>" x 79<sup>1</sup>/<sub>2</sub>" doors in silver only

Maximum visibility to complete privacy at the tip of a finger. The lever raises, lowers or tilts the blinds sealed between the insulated glass to ensure maintenance-free operation.



Raise and lower operation level

## Durable Sash

- Reinforced with steel to withstand high wind loads
- Double perimeter seal for superior air-tightness
- Adjustable nylon tandem ball-bearing rollers



## Optional Decorative Grills

Internal grills are available in a wide range of design styles with colours that include **Flat Grills** in two-tone, white, brass and pewter, **Georgian Grills** in two-tone and white, and **Pencil Grills** in white, brass and pewter.

## Optional Accessories

- 1<sup>1</sup>/<sub>4</sub>" or 2<sup>1</sup>/<sub>16</sub>" brick mold
- 1<sup>1</sup>/<sub>4</sub>", 2" or 3<sup>3</sup>/<sub>8</sub>" frame extensions
- 3<sup>3</sup>/<sub>4</sub>" drywall return
- 1<sup>1</sup>/<sub>2</sub>" sill extension
- 4<sup>1</sup>/<sub>2</sub>" sill plate

## Glazing

Enhancing the outstanding thermal efficiency is the high-performance glazing found in Low-E glass and Super Spacer® technology.

*Super Spacer®*



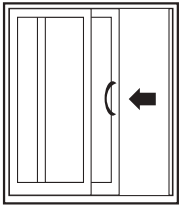
## Optional Exterior Colours

Sunview Patio Doors boast a wide range of colour options that feature a finish which is UV stable, has a superior adhesion properties and is impact resistant.

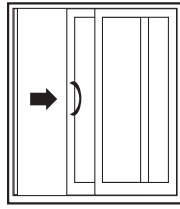


# Specifications

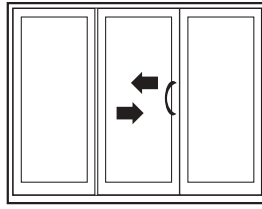
## Dimensions Door/Panel Configurations and Finished Sizes (Exterior view)



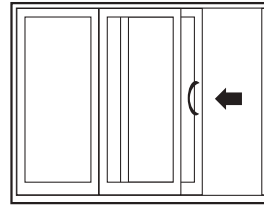
OX-Slide left



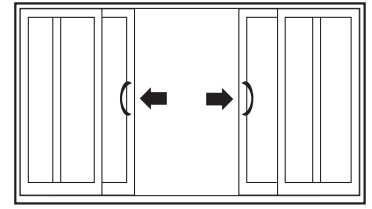
XO-Slide Right



OXO-Slide R to L or  
OZO-Slide L to R



XOO-Slide R or OOX Slide L



OXXO-Slide R and Slide L from Centre

### 2 Panels

59<sup>1</sup>/<sub>2</sub> W x 79<sup>1</sup>/<sub>2</sub> H  
 71<sup>1</sup>/<sub>2</sub> W x 79<sup>1</sup>/<sub>2</sub> H  
 95<sup>1</sup>/<sub>2</sub> W x 79<sup>1</sup>/<sub>2</sub> H  
 59<sup>1</sup>/<sub>2</sub> W x 81<sup>1</sup>/<sub>2</sub> H  
 71<sup>1</sup>/<sub>2</sub> W x 81<sup>1</sup>/<sub>2</sub> H  
 95<sup>1</sup>/<sub>2</sub> W x 81<sup>1</sup>/<sub>2</sub> H  
 59<sup>1</sup>/<sub>2</sub> W x 95<sup>1</sup>/<sub>2</sub> H  
 71<sup>1</sup>/<sub>2</sub> W x 95<sup>1</sup>/<sub>2</sub> H  
 95<sup>1</sup>/<sub>2</sub> W x 95<sup>1</sup>/<sub>2</sub> H

### 3 Panels

89<sup>1</sup>/<sub>4</sub> W x 79<sup>1</sup>/<sub>2</sub> H  
 107<sup>1</sup>/<sub>4</sub> W x 79<sup>1</sup>/<sub>2</sub> H  
 143<sup>1</sup>/<sub>4</sub> W x 79<sup>1</sup>/<sub>2</sub> H  
 89<sup>1</sup>/<sub>4</sub> W x 81<sup>1</sup>/<sub>2</sub> H  
 107<sup>1</sup>/<sub>4</sub> W x 81<sup>1</sup>/<sub>2</sub> H  
 143<sup>1</sup>/<sub>4</sub> W x 81<sup>1</sup>/<sub>2</sub> H  
 89<sup>1</sup>/<sub>4</sub> W x 95<sup>1</sup>/<sub>2</sub> H  
 107<sup>1</sup>/<sub>4</sub> W x 95<sup>1</sup>/<sub>2</sub> H  
 143<sup>1</sup>/<sub>4</sub> W x 95<sup>1</sup>/<sub>2</sub> H

### 4 Panels

116<sup>3</sup>/<sub>4</sub> W x 79<sup>1</sup>/<sub>2</sub> H  
 140<sup>3</sup>/<sub>4</sub> W x 79<sup>1</sup>/<sub>2</sub> H  
 188<sup>3</sup>/<sub>4</sub> W x 79<sup>1</sup>/<sub>2</sub> H  
 116<sup>3</sup>/<sub>4</sub> W x 81<sup>1</sup>/<sub>2</sub> H  
 140<sup>3</sup>/<sub>4</sub> W x 81<sup>1</sup>/<sub>2</sub> H  
 188<sup>3</sup>/<sub>4</sub> W x 81<sup>1</sup>/<sub>2</sub> H  
 116<sup>3</sup>/<sub>4</sub> W x 95<sup>1</sup>/<sub>2</sub> H  
 140<sup>3</sup>/<sub>4</sub> W x 95<sup>1</sup>/<sub>2</sub> H  
 188<sup>3</sup>/<sub>4</sub> W x 95<sup>1</sup>/<sub>2</sub> H

## Performance Kent Patio Doors meet standards AAMA/WDMA/CSA 101/1.S.2/A440 and CSA A440S1

Configuration	Performance Class and Grade	Air Leakage	Water Penetration Resistance	Design Pressure
OX/XO 70610	LC-PG55	A3-0.2 L/s-m <sup>2</sup>	400 Pa (8.4 psf)	±2640 Pa (±55 psf)
OX/XO 8080	LC-PG35	A3-0.2 L/s-m <sup>2</sup>	360 Pa (7.5 psf)	±1680 Pa (±35 psf)

Distributed by:



Our products meet the ENERGY STAR® program guidelines to help protect the environment through superior energy efficiency.