

EXTERIOR T&G TEXTURED PROFILES

TABLE OF CONTENT

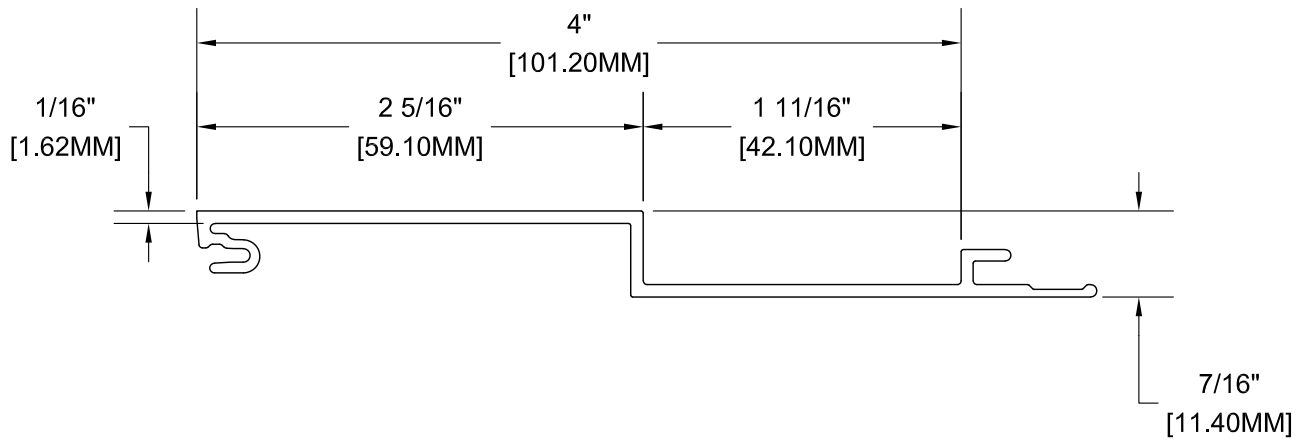
(Click on the drawing name below to be directed to the right profile)

[4" CASTELLATION PLANK](#)

[8" CASTELLATION PLANK](#)

[6" SINGLE BEVEL](#)

[6" TRIPLE BEVEL](#)



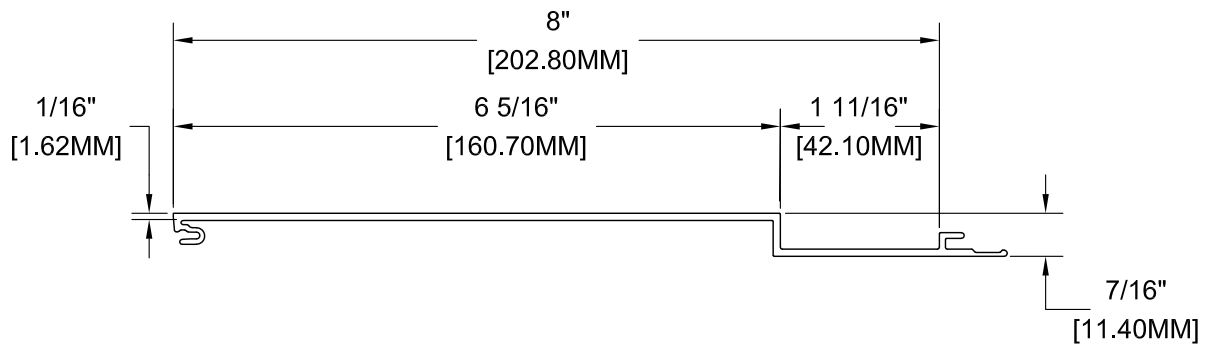
These drawings are published as an information guide only. These CAD drawings are intended as templates to assist the designer, they do not contain the full detail required for construction and must be read in conjunction with the installation instructions on www.longboardproducts.com. You should obtain architectural, engineering or other technical advice to assess the suitability of these drawings to the requirements of your particular project.

Mayne Coatings Corp. and Longboard products accepts no liability in respect to the use of these drawings.

For complete installation instructions refer to the appropriate documentation here www.longboardproducts.com/resources/technical-documentation/installation-guides

4" CASTELLATION PLANK
 ALUMINUM ALLOY: 6063-T5
 WEIGHT: 0.464 LBS/ LF
 SCALE: 1:1





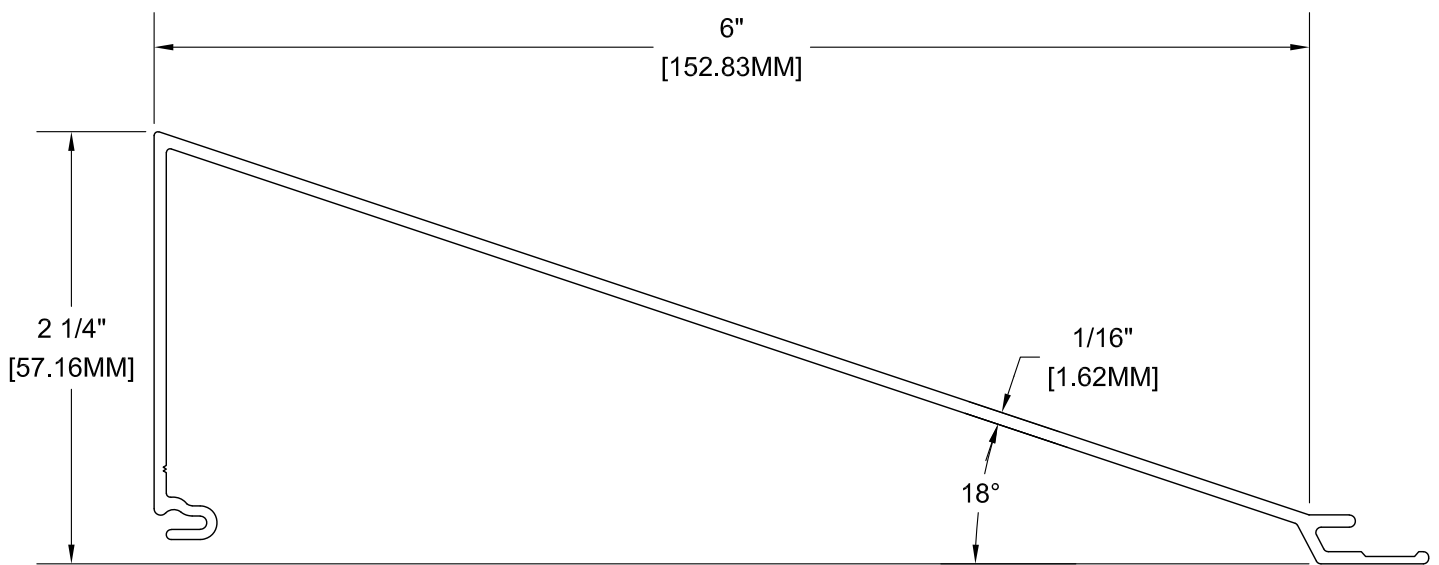
These drawings are published as an information guide only. These CAD drawings are intended as templates to assist the designer, they do not contain the full detail required for construction and must be read in conjunction with the installation instructions on www.longboardproducts.com. You should obtain architectural, engineering or other technical advice to assess the suitability of these drawings to the requirements of your particular project.

Mayne Coatings Corp. and Longboard products accepts no liability in respect to the use of these drawings.

For complete installation instructions refer to the appropriate documentation here www.longboardproducts.com/resources/technical-documentation/installation-guides

8" CASTELLATION PLANK
 ALUMINUM ALLOY: 6063-T5
 WEIGHT: 0.887 LBS/ LF
 SCALE: 1:2

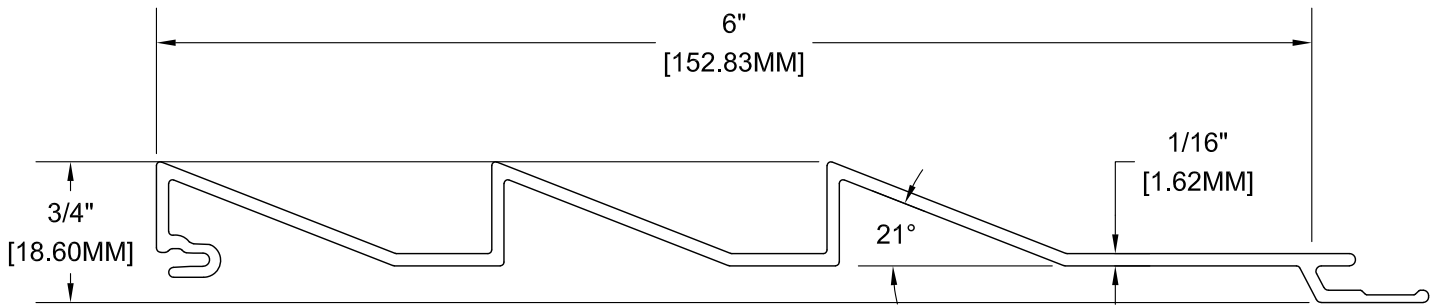




These drawings are published as an information guide only. These CAD drawings are intended as templates to assist the designer, they do not contain the full detail required for construction and must be read in conjunction with the installation instructions on www.longboardproducts.com. You should obtain architectural, engineering or other technical advice to assess the suitability of these drawings to the requirements of your particular project. Mayne Coatings Corp. and Longboard products accepts no liability in respect to the use of these drawings. For complete installation instructions refer to the appropriate documentation here www.longboardproducts.com/resources/technical-documentation/installation-guides

6" SINGLE BEVEL
ALUMINUM ALLOY: 6063-T5
WEIGHT: 0.746 LBS/ LF
SCALE: 1:1





These drawings are published as an information guide only. These CAD drawings are intended as templates to assist the designer, they do not contain the full detail required for construction and must be read in conjunction with the installation instructions on www.longboardproducts.com. You should obtain architectural, engineering or other technical advice to assess the suitability of these drawings to the requirements of your particular project. Mayne Coatings Corp. and Longboard products accepts no liability in respect to the use of these drawings. For complete installation instructions refer to the appropriate documentation here www.longboardproducts.com/resources/technical-documentation/installation-guides

6" TRIPLE BEVEL
ALUMINUM ALLOY: 6063-T5
WEIGHT: 0.699 LBS/ LF
SCALE: 1:1

