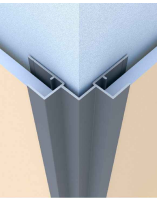
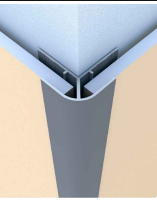
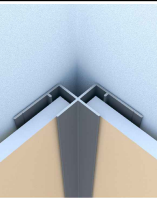




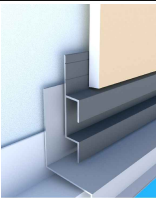
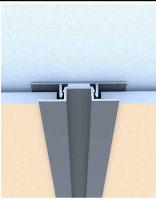


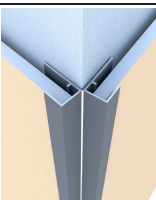
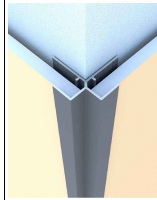
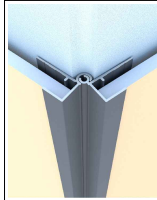
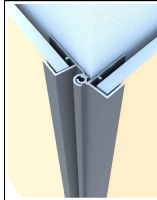
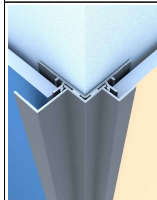
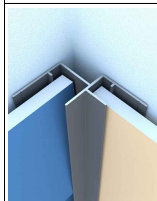
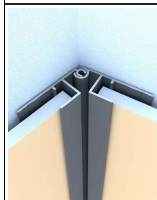


THUMBNAIL	DESCRIPTION	DWG.NO.
	EZ01 SQUARE OUTSIDE CORNER 5/16" TRIM	EZ1.1
	EZ02 ROUND OUTSIDE CORNER 5/16" TRIM	EZ2.1
	EZ03 INSIDE CORNER 5/16" TRIM	EZ3.1
	EZ04 HORIZONTAL Z STARTER 5/16" TRIM	EZ4.1
	EZ04 HORIZONTAL Z INTERMEDIATE 5/16" TRIM	EZ4.2
	EZ04 @ SHRINKAGE ZONE MULT-STORY WOOD FRAME	EZ4.3


THUMBNAIL	DESCRIPTION	DWG.NO.
	EZ05 HORIZONTAL H INTERMEDIATE 5/16" TRIM	EZ5.1
	EZ05 HORIZONTAL H WINDOW HEAD 5/16" TRIM	EZ5.2
	EZ07 2-PIECE VERTICAL U 5/16" TRIM	EZ7.1
	EZ08 GENERAL J VERTICAL TERMINATION 5/16" TRIM	EZ8.1
	EZ08 GENERAL J WINDOW JAMB 5/16" TRIM	EZ8.2
	EZ08 SPECIAL MULTI-ANGLE ACUTE (<90°) OUTSIDE CORNER 5/16" TRIM	EZ8.3

THUMBNAIL	DESCRIPTION	DWG.NO.
	EZ09 SOFFIT J 5/16" TRIM	EZ9.1
	EZ10 HORIZONTAL BASE B STARTER 5/16" TRIM	EZ10.1
	EZ10 HORIZONTAL BASE B SOFFIT & FASCIA 5/16" TRIM	EZ10.2
	EZ11 2-PIECE VERTICAL U 5/16" TO 3/4" TRANSITION TRIM	EZ11.1
	EZ12 2-PIECE SQUARE OUTSIDE CORNER 5/16" TRIM	EZ12.1
	EZ13 ARROW OUTSIDE CORNER 5/16" TRIM	EZ13.1

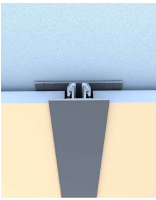
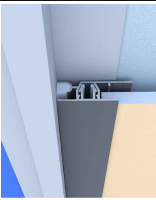
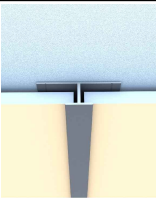
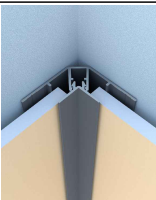
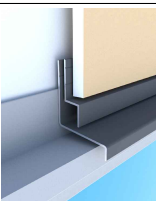
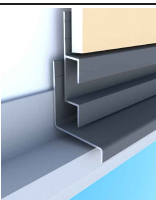
THUMBNAIL	DESCRIPTION	DWG.NO.
	EZ14 X OUTSIDE CORNER 5/16" TRIM	EZ14.1
	EZ15 MULTI-ANGLE (105°-160°) OUTSIDE CORNER 5/16" TRIM	EZ15.1
	SPECIAL MULTI-ANGLE ACUTE (50°-89°) OUTSIDE CORNER 5/16" PANEL TRIM	EZ15.2
	EZ16 2-PIECE OUTSIDE CORNER 5/16" TO 3/4" TRANSITION TRIM	EZ16.1
	EZ17 INSIDE CORNER 5/16" TO 3/4" TRANSITION TRIM	EZ17.1
	EZ18 MULTI-ANGLE (105°-160°) INSIDE CORNER 5/16" TRIM	EZ18.1


DESCRIPTION

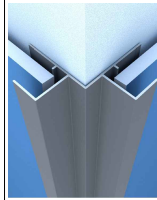
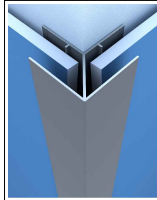
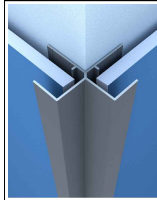
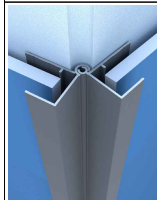
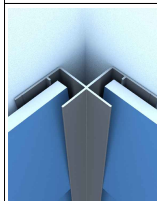
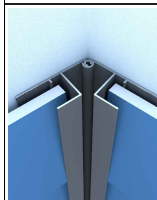
DRAWING NUMBER INDEX


	SCALE	NTS	DRAWING NUMBER
	DATE	NOV2023	
	DRWN BY	DDG	
			EZ-I

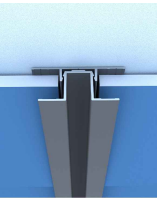
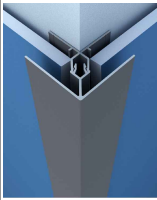

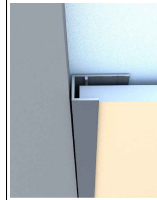
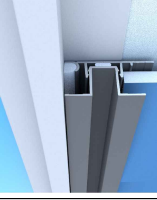

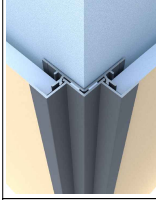


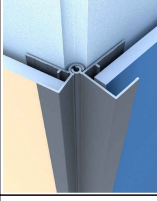
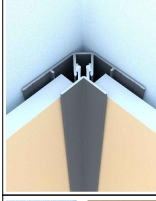
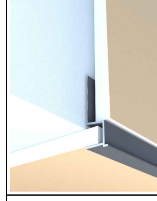
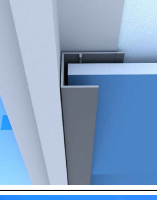
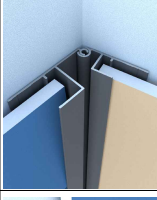



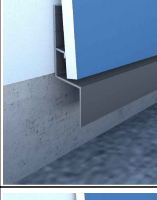
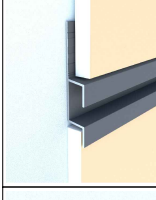
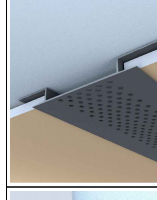
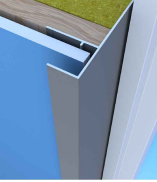
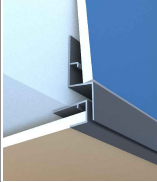
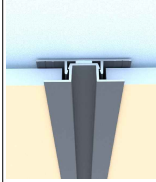
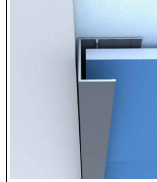
THUMBNAIL	DESCRIPTION	DWG.NO.
	EZ19 2-PIECE WINDOW JAMB 5/16" TRIM	EZ19.1
	EZ20 2-PIECE GENERAL J VERTICAL TERMINATION 5/16" TRIM	EZ20.1
	EZ20 2-PIECE GENERAL J WINDOW JAMB 5/16" TRIM	EZ20.2
	EZ21 2-PIECE SOFFIT J 5/16" TRIM	EZ21.1
	EZ21 2-PIECE SOFFIT J @ WINDOW SILL 5/16" TRIM	EZ21.2
	EZ22 HORIZONTAL SLT Z 5/16" TRIM	EZ22.1


THUMBNAIL	DESCRIPTION	DWG.NO.
	EZ23 2-PIECE VERTICAL SLT 5/16" TRIM	EZ23.1
	EZ24 2-PIECE WINDOW SLT 5/16" TRIM	EZ24.1
	EZ25 VERTICAL H 5/16" TRIM	EZ25.1
	EZ27 2-PIECE INSIDE CORNER 5/16" TRIM	EZ27.1
	EZ28 1-3/8" WINDOW DRIP CAP FLASHING W/ EZ04 HORIZONTAL Z 5/16" TRIM	EZ28.1
	EZ28 1-3/8" WINDOW DRIP CAP FLASHING W/ EZ05 HORIZONTAL H 5/16" TRIM	EZ28.2

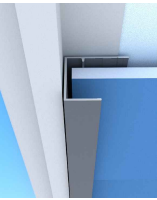

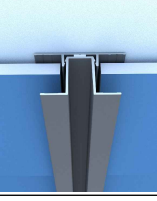

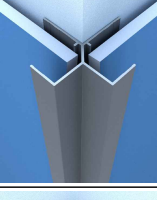
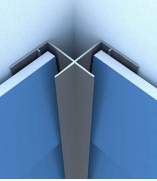
THUMBNAIL	DESCRIPTION	DWG.NO.
	EZ28 1-3/8" DRIP CAP FLASHING @ 5/16" PANEL TO 3/4" LAP HORIZONTAL TRANSITION	EZ28.3
	EZ28 1-3/8" DRIP CAP FLASHING @ 3/4" LAP TO 5/16" PANEL HORIZONTAL TRANSITION	EZ28.4
	EZ28 1-3/8" DRIP CAP FLASHING MID-LAP @ ALTERNATE FINISH TRANSITION	EZ28.5
	EZ28 1-3/8" DRIP CAP THROUGH WALL FLASHING	EZ28.6
	EZ28 1-3/8" DRIP CAP FLASHING @ SLOPED FLOOR LINE	EZ28.7
	EZ29 PERFORATED SOFFIT 5/16" TRIM	EZ29.1


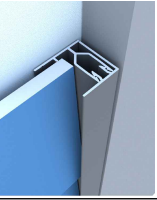
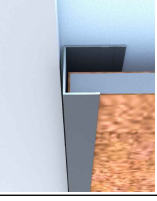
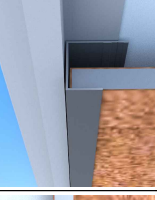

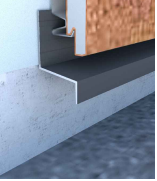
THUMBNAIL	DESCRIPTION	DWG.NO.
	EZ31 SQUARE OUTSIDE CORNER 3/4" TRIM	EZ31.1
	EZ33 ARROW OUTSIDE CORNER 3/4" TRIM	EZ33.1
	EZ34 X OUTSIDE 3/4" TRIM	EZ34.1
	EZ35 MULTI-ANGLE (105°-160°) OUTSIDE CORNER 3/4" TRIM	EZ35.1
	EZ36 INSIDE CORNER 3/4" TRIM	EZ36.1
	EZ37 MULTI-ANGLE (105°-160°) INSIDE CORNER 3/4" TRIM	EZ37.1

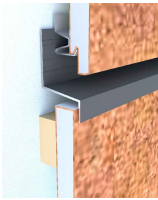
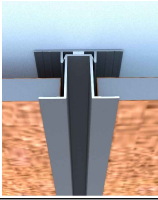
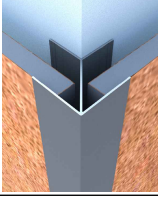
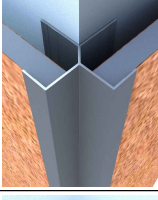
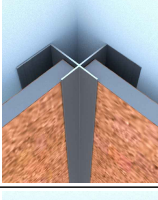
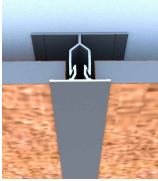
DESCRIPTION			
DRAWING NUMBER INDEX			
	SCALE	NTS	DRAWING NUMBER
	DATE	NOV2023	
	DRWN BY	DDG	
			EZ-II

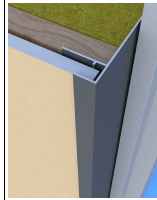
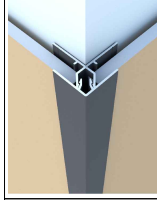

THUMBNAIL	DESCRIPTION	DWG.NO.	THUMBNAIL	DESCRIPTION	DWG.NO.	THUMBNAIL	DESCRIPTION	DWG.NO.	THUMBNAIL	DESCRIPTION	DWG.NO.
	EZ38 2-PIECE VERTICAL 3/4" TRIM	EZ38.1		EZ42 2-PIECE ARROW OUTSIDE CORNER 3/4" TRIM	EZ42.1		EZ60 PERFORATED VENTED STARTER STRIP (VINYL) DETAIL	EZ60.1		EZ68 GENERAL J VERTICAL TERMINATION 7/16" TRIM	EZ68.1
	EZ39 2-PIECE WINDOW JAMB REVEAL 3/4" TRIM	EZ39.1		EZ44 HORIZONTAL Z 3/4" TRIM	EZ44.1		EZ62 2-PIECE SQUARE OUTSIDE CORNER 7/16" PANEL DETAIL	EZ62.1		EZ68 GENERAL J WINDOW JAMB 7/16" TRIM	EZ68.2
	EZ40 GENERAL J VERTICAL TERMINATION 3/4" TRIM	EZ40.1		EZ45 MULTI-ANGLE (105°-160°) OUTSIDE CORNER 5/16" TO 3/4" TRANSITION TRIM	EZ45.1		EZ63 2-PIECE INSIDE CORNER 7/16" PANEL DETAIL	EZ63.1		EZ70 HORIZONTAL BASE B FASCIA/ SOFFIT 7/16" TRIM	EZ70.1
	EZ40 GENERAL J WINDOW JAMB 3/4" TRIM	EZ40.2		EZ46 MULTI-ANGLE (105°-160°) INSIDE CORNER 5/16" TO 3/4" TRANSITION TRIM	EZ46.1		EZ64 HORIZONTAL Z 7/16" PANEL DETAIL	EZ64.1		EZ71 2-PIECE GENERAL J 7/16" TRIM	EZ71.1
	EZ40 GENERAL J WINDOW SILL 3/4" TRIM	EZ40.3		EZ48 HORIZONTAL BASE Z STARTER 3/4" TRIM	EZ48.1		EZ65 HORIZONTAL H 7/16" PANEL DETAIL	EZ65.1		EZ79 PERFORATED SOFFIT 7/16" TRIM	EZ79.1
	EZ41 VERTICAL 2" INSULATED WINDOW & DOOR JAMB 3/4" TRIM	EZ41.1		EZ48 HORIZONTAL BASE Z 3/4" LAP FASCIA W/ EZ 08 GENERAL J 5/16" SOFFIT DETAIL	EZ48.2		EZ67 2-PIECE VERTICAL U 7/16" PANEL DETAIL	EZ67.1		EZ80 GENERAL J VERTICAL TERMINATION 1" TRIM	EZ80.1

DESCRIPTION			
DRAWING NUMBER INDEX			
	SCALE	NTS	DRAWING NUMBER
	DATE	NOV2023	EZ-III
	DRWN BY	DDG	

THUMBNAIL	DESCRIPTION	DWG.NO.
	EZ80 GENERAL J WINDOW JAMB 1" TRIM	EZ80.2
	EZ81 HORIZONTAL BASE Z STARTER 1" TRIM	EZ81.1
	EZ82 2-PIECE VERTICAL 1" TRIM	EZ82.1
	EZ83 ARROW OUTSIDE CORNER 1" TRIM	EZ83.1
	EZ84 X OUTSIDE CORNER 1" TRIM	EZ84.1
	EZ85 INSIDE CORNER 1" TRIM	EZ85.1


THUMBNAIL	DESCRIPTION	DWG.NO.
	EZ86 HORIZONTAL Z 1" TRIM	EZ86.1
	EZ87 2-PIECE 1" TRIM	EZ87.1
	EZ90 GENERAL J VERTICAL TERMINATION 1-1/4" TRIM	EZ90.1
	EZ90 GENERAL J WINDOW JAMB 1-1/4" TRIM	EZ90.2
	EZ91 HORIZONTAL Z WINDOW HEAD 1-1/4" TRIM	EZ91.1
	EZ91 HORIZONTAL Z @ BASE STARTER 1-1/4" TRIM	EZ91.2

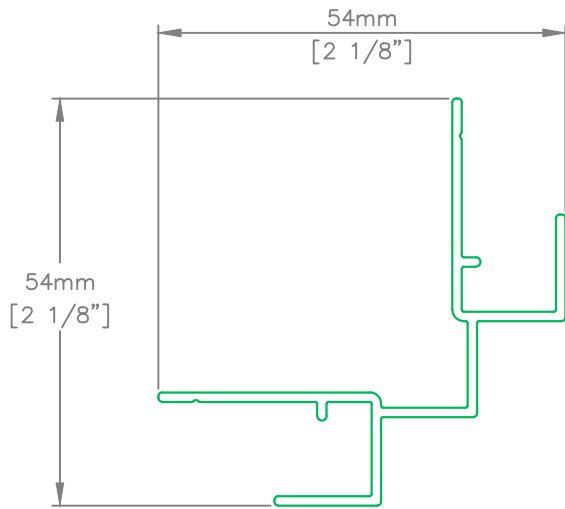
THUMBNAIL	DESCRIPTION	DWG.NO.
	EZ91 HORIZONTAL Z @ MIDWALL 1-1/4" TRIM	EZ91.3
	EZ92 2-PIECE VERTICAL U 1-1/4" TRIM	EZ92.1
	EZ93 ARROW OUTSIDE CORNER 1-1/4" TRIM	EZ93.1
	EZ94 X OUTSIDE CORNER 1-1/4" TRIM	EZ94.1
	EZ95 INSIDE CORNER 1-1/4" TRIM	EZ95.1
	EZ96 2-PIECE VERTICAL SLT 1-1/4" TRIM	EZ96.1

THUMBNAIL	DESCRIPTION	DWG.NO.
	EZ101 VERTICAL 2" INSULATED WINDOW & DOOR JAMB 5/16" TRIM	EZ101.1
	EZ104 2-PIECE ARROW OUTSIDE CORNER 5/16" TRIM	EZ104.1
	EZ108 2-PIECE J 5/16" TRIM	EZ108.1

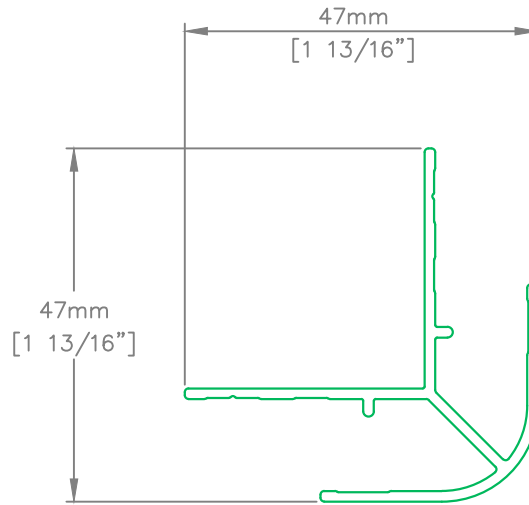
DESCRIPTION

DRAWING NUMBER INDEX

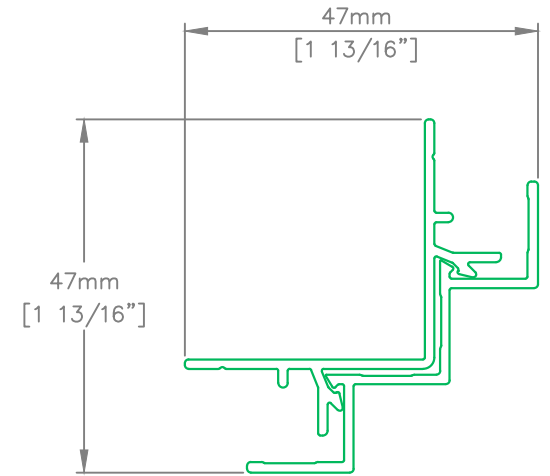
	SCALE	NTS	DRAWING NUMBER
	DATE	NOV2023	EZ-IV
	DRWN BY	DDG	



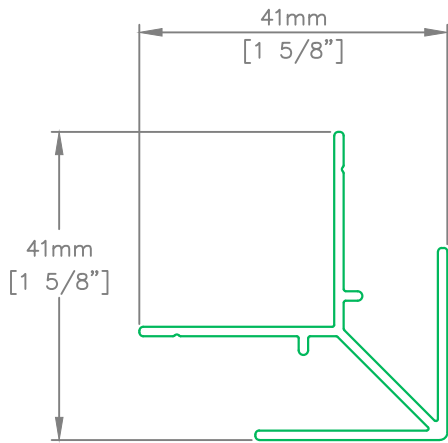
EZ 01
(DRAWING EZ1.1)



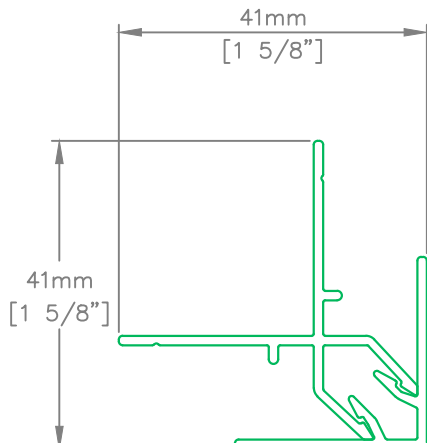
EZ 02
(DRAWING EZ2.1)



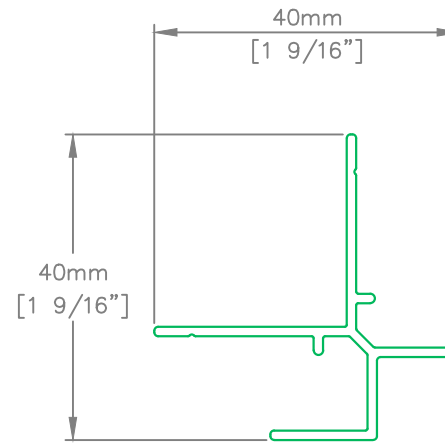
EZ 12
(DRAWING EZ12.1)



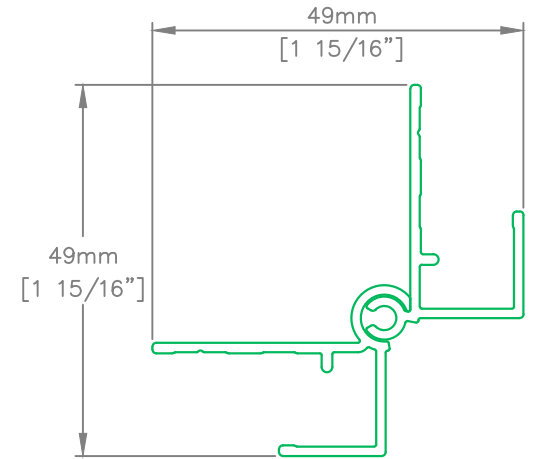
EZ 13
(DRAWING EZ13.1)



EZ 104
(DRAWING EZ104.1)




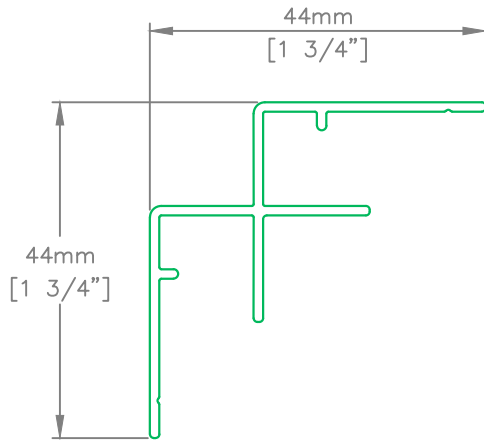
EZ 14
(DRAWING EZ14.1)



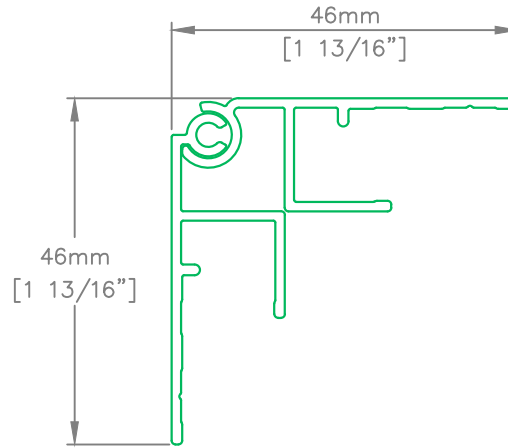
EZ 15
(DRAWING EZ15.1)

WALL THICKNESS APPROX. 1.3mm [.051"] 16 ga

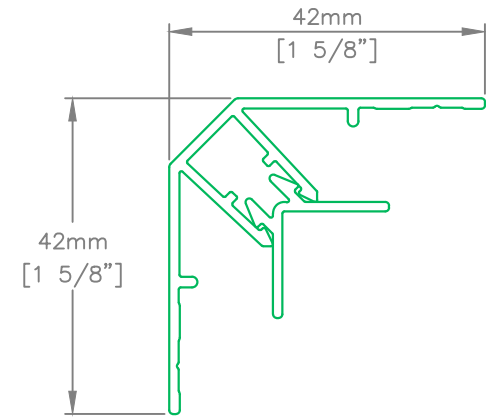
DESCRIPTION			
5/16" OUTSIDE CORNER TRIM			
	SCALE	NTS	DRAWING NUMBER
	DATE	NOV2023	EZ0.1
	DRWN BY	HJ/DDG	



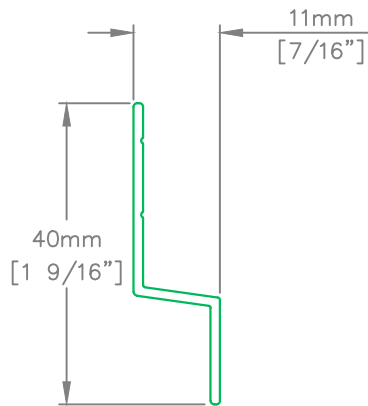
EZ 03
(DRAWING EZ3.1)



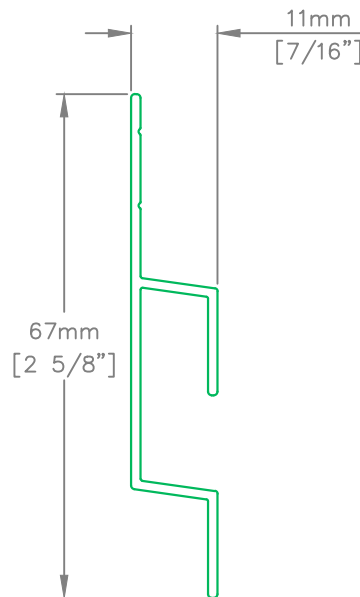
EZ 18
(DRAWING EZ18.1)



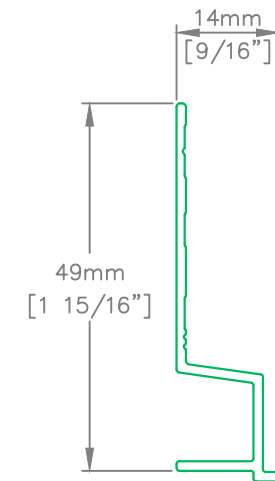
EZ 27
(DRAWING EZ27.1)



EZ 04
(DRAWING EZ4.1 EZ4.2 EZ4.3
EZ60.1 EZ28.1 & EZ28.4)



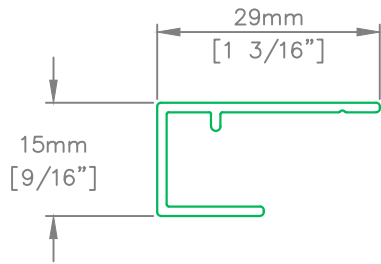
EZ 05



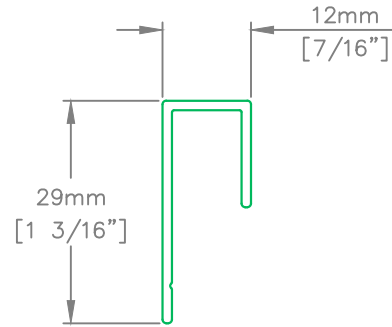
EZ 10
(DRAWING EZ10.1 & EZ10.2)

WALL THICKNESS APPROX. 1.3mm [.051\"] 16 ga (DRAWING EZ5.1 EZ5.2 & EZ28.2)

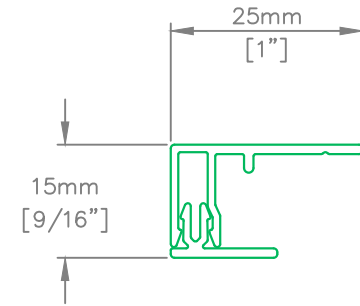
DESCRIPTION			
5/16" INSIDE CORNER & HORIZONTAL TRIM			
	SCALE	NTS	DRAWING NUMBER
	DATE	NOV2023	EZ0.2
	DRWN BY	HJ/DDG	



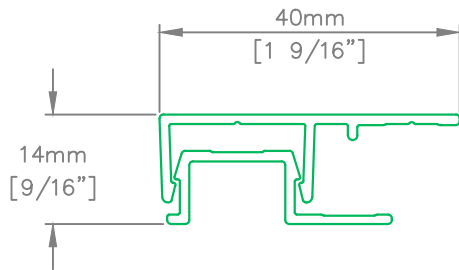
EZ 08
(DRAWING EZ8.1, EZ8.2 & EZ48.2)



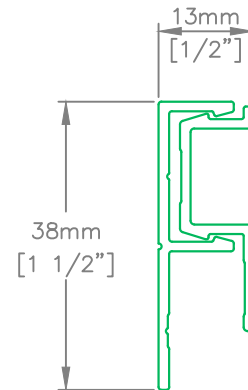
EZ 09
(DRAWING EZ9.1 & EZ28.3)



EZ 108
(DRAWING EZ108.1)




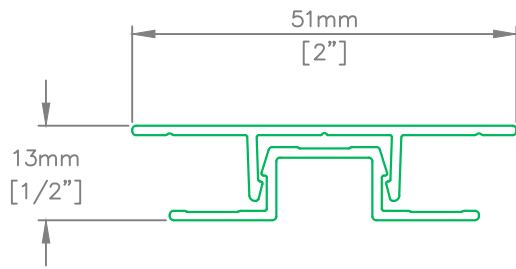
EZ 20
(DRAWING EZ20.1 & EZ20.2)



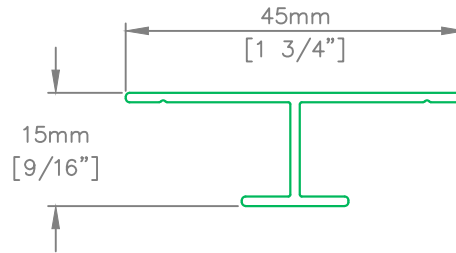
EZ 21
(DRAWING EZ21.1 & EZ21.2)

WALL THICKNESS APPROX. 1.3mm [.051"] 16 ga

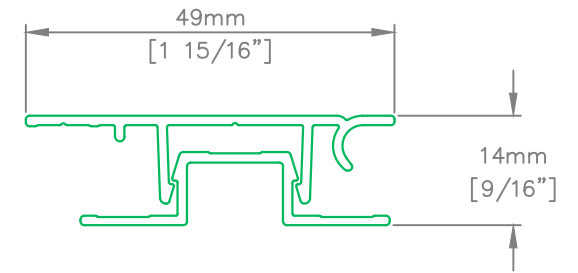
DESCRIPTION			
5/16" J TRIM			
	SCALE	NTS	DRAWING NUMBER
	DATE	NOV2023	EZ0.3
	DRWN BY	HJ/DDG	



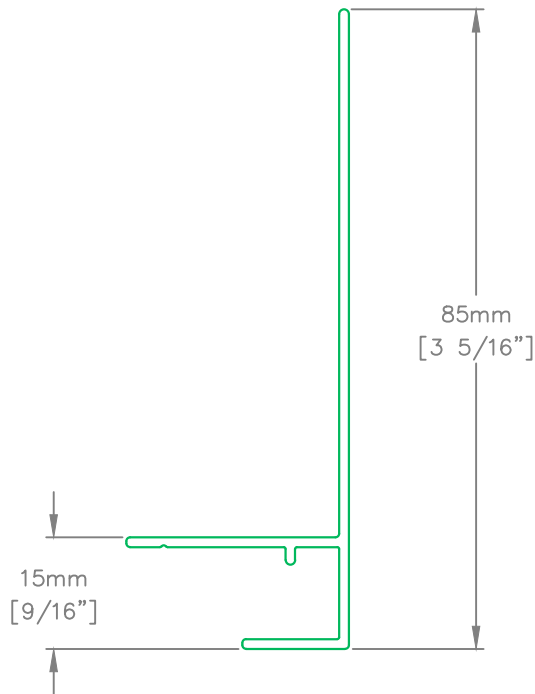
EZ 07
(DRAWING EZ7.1)



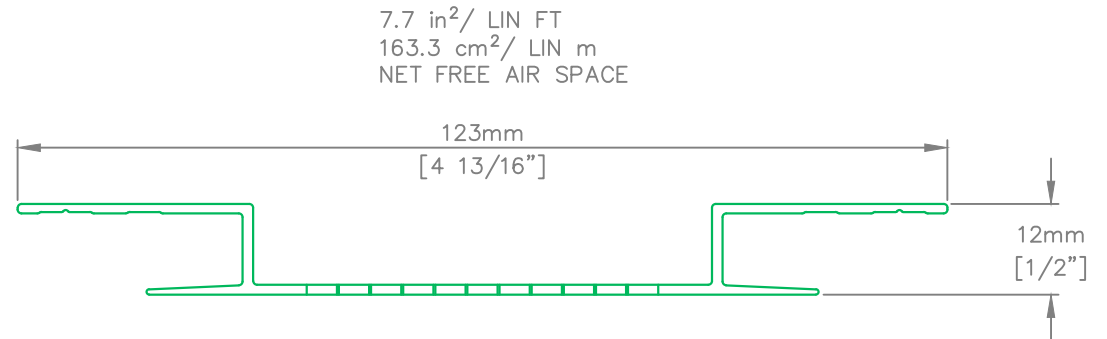
EZ 25
(DRAWING EZ25.1)



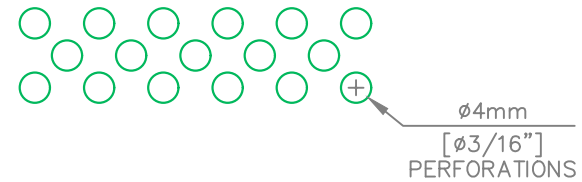
EZ 19
(DRAWING EZ19.1)



EZ 101
(DRAWING EZ101.1)




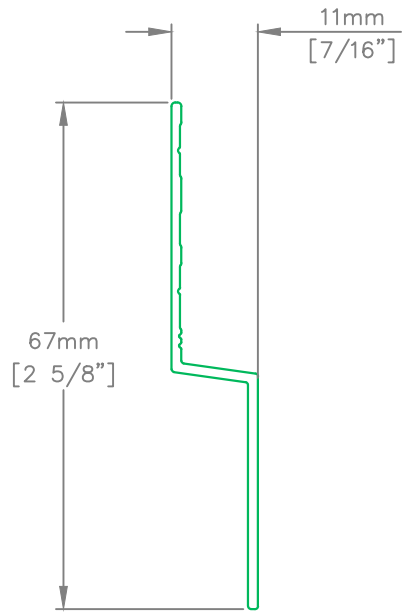
7.7 in²/ LIN FT
163.3 cm²/ LIN m
NET FREE AIR SPACE



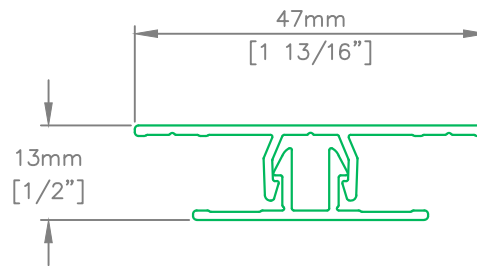
EZ 29
(DRAWING EZ29.1)

WALL THICKNESS APPROX. 1.3mm [.051"] 16 ga

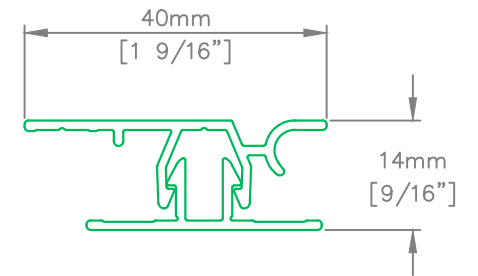
DESCRIPTION			
5/16" VERTICAL & SOFFIT TRIM			
	SCALE	NTS	DRAWING NUMBER
	DATE	NOV2023	EZO.4
	DRWN BY	HJ/DDG	



EZ 22
(DRAWING EZ22.1)



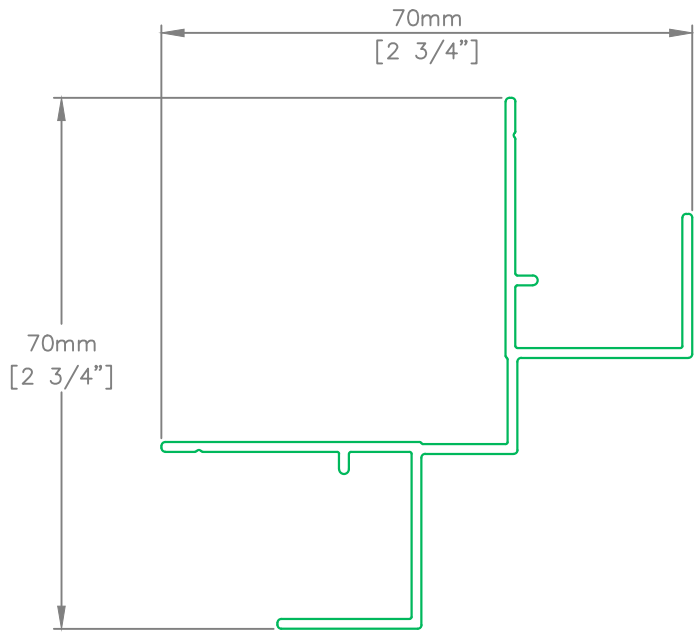
EZ 23
(DRAWING EZ23.1)



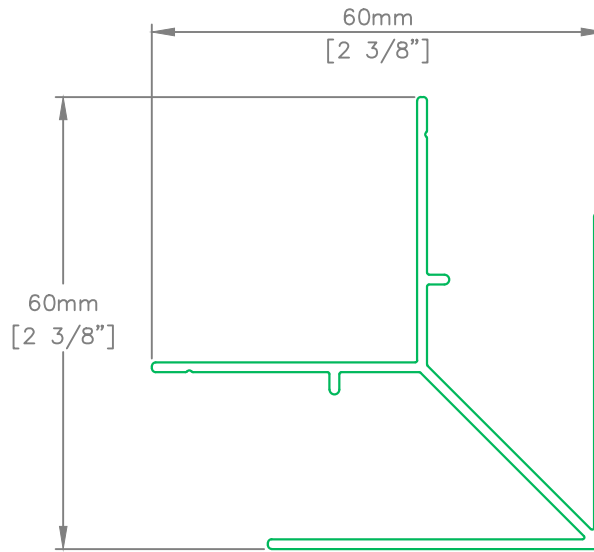
EZ 24
(DRAWING EZ24.1)

WALL THICKNESS APPROX. 1.3mm [.051\"] 16 ga

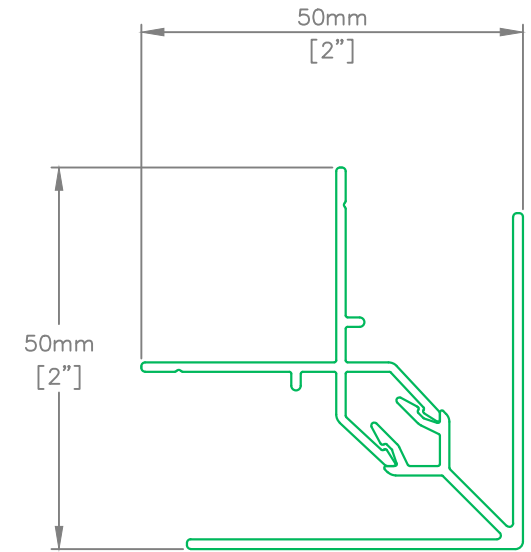
DESCRIPTION			
5/16" SLT (SLIM LINE) TRIM			
	SCALE	NTS	DRAWING NUMBER
	DATE	NOV2023	EZ0.5
	DRWN BY	HJ/DDG	



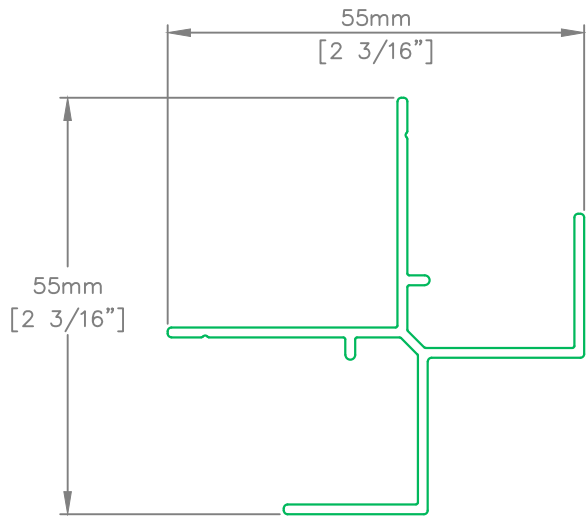
EZ 31
(DRAWING EZ31.1)



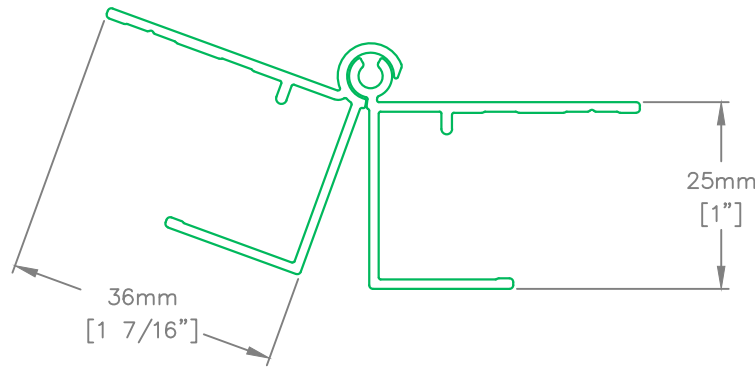
EZ 33
(DRAWING EZ33.1)



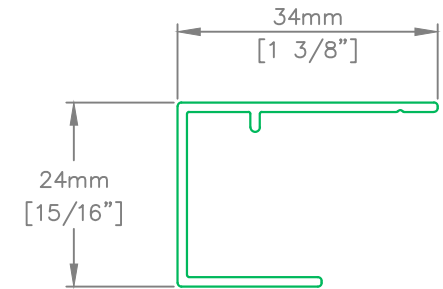
EZ 42
(DRAWING EZ42.1)



EZ 34
(DRAWING EZ34.1)



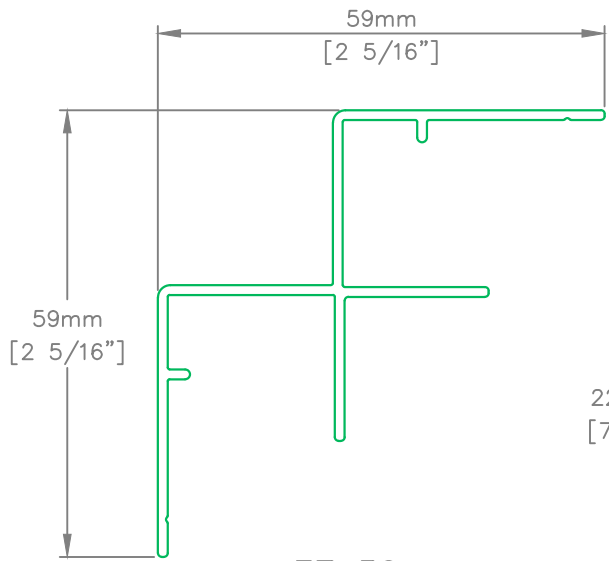
EZ 35
(DRAWING EZ35.1)



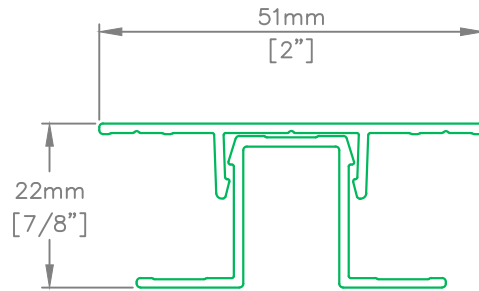
EZ 40
(DRAWING EZ40.1,
EZ40.2 EZ40.3
EZ28.4 & EZ28.6)

WALL THICKNESS APPROX. 1.3mm [.051\"] 16 ga

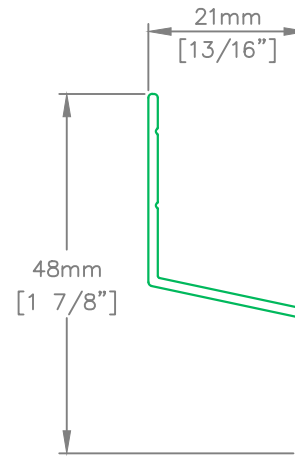
DESCRIPTION			
3/4" OUTSIDE CORNER TRIM			
	SCALE	NTS	DRAWING NUMBER
	DATE	NOV2023	EZ0.6
	DRWN BY	HJ/DDG	



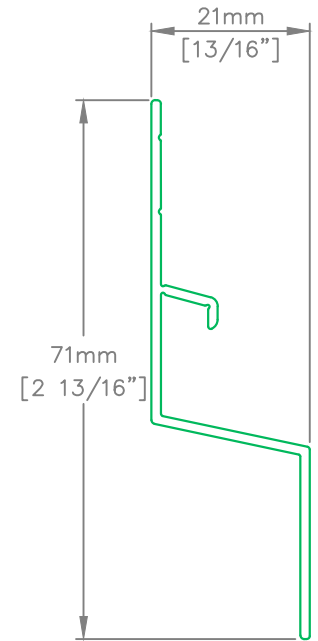
EZ 36
(DRAWING EZ36.1)



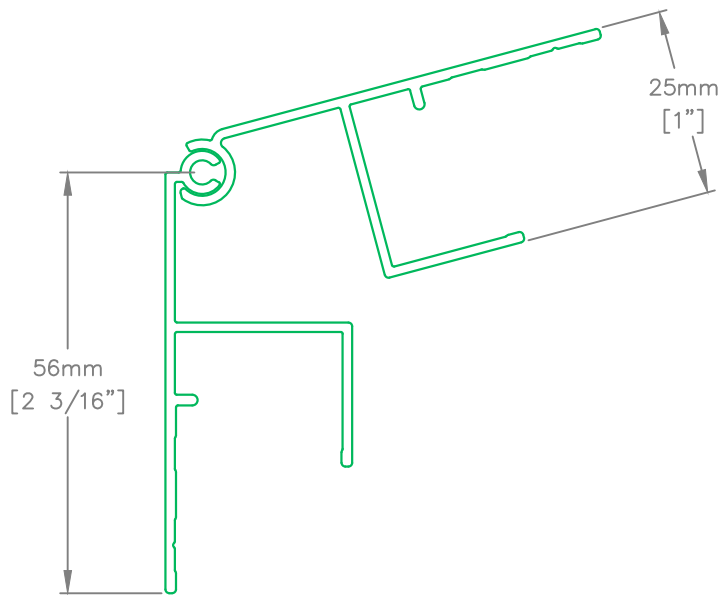
EZ 38
(DRAWING EZ38.1)



EZ 44
(DRAWING EZ44.1)

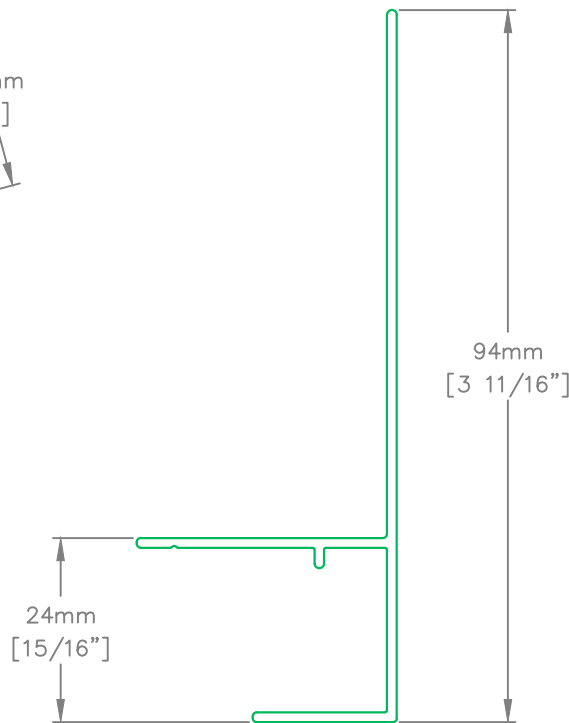


EZ 48
(DRAWING EZ48.1 & EZ48.2)

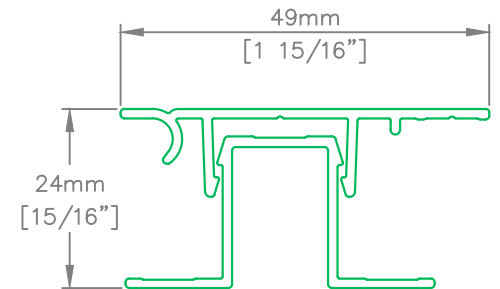


EZ 37
(DRAWING EZ37.1)

WALL THICKNESS APPROX. 1.3mm [.051\"] 16 ga



EZ 41
(DRAWING EZ41.1)



EZ 39
(DRAWING 39.1)

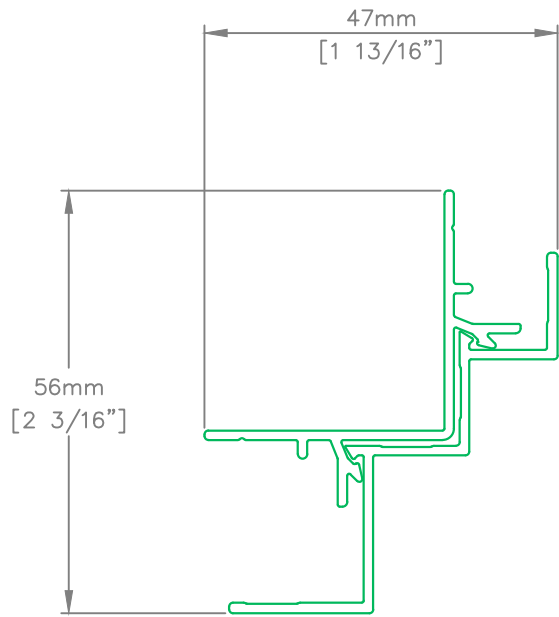
DESCRIPTION

3/4\" IN INSIDE CORNER, HORIZONTAL,
VERTICAL & J TRIM

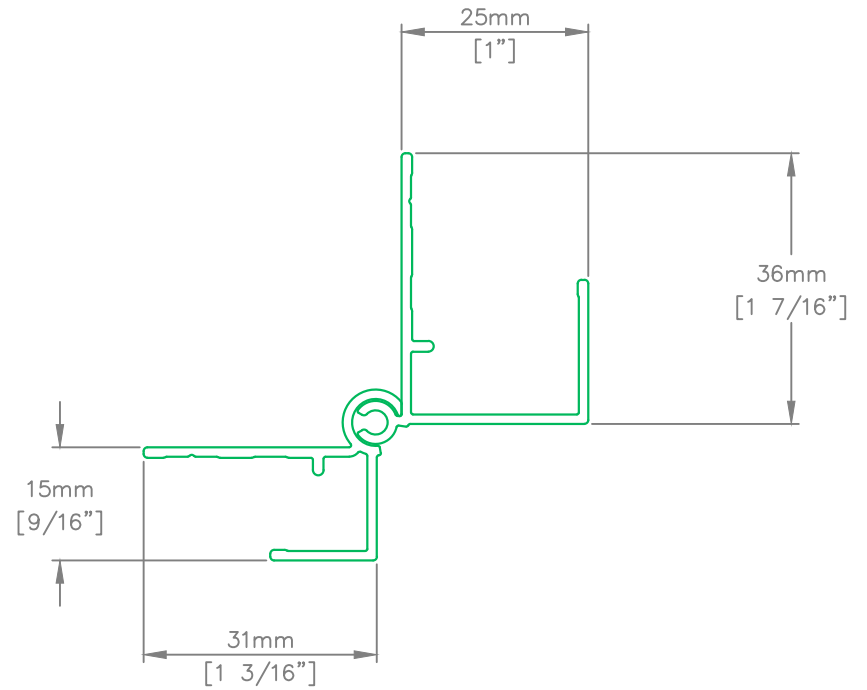


EasyTrim[®]
Reveals

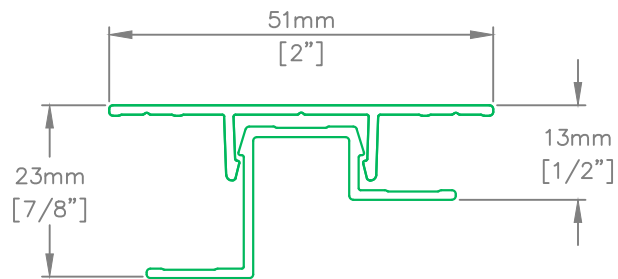
SCALE	NTS	DRAWING NUMBER
DATE	NOV2023	EZO.7
DRWN BY	HJ/DDG	



EZ 16
(DRAWING EZ16.1)




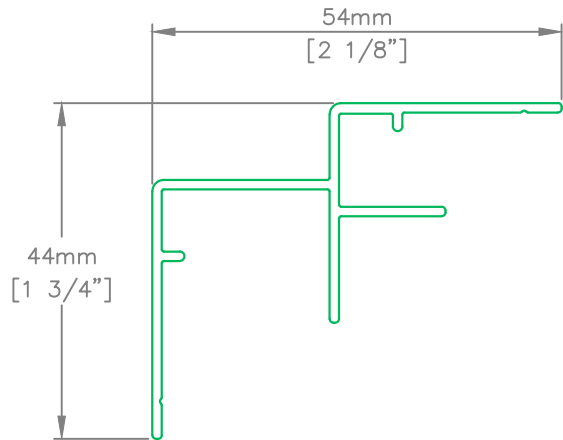
EZ 45
(DRAWING EZ45.1)



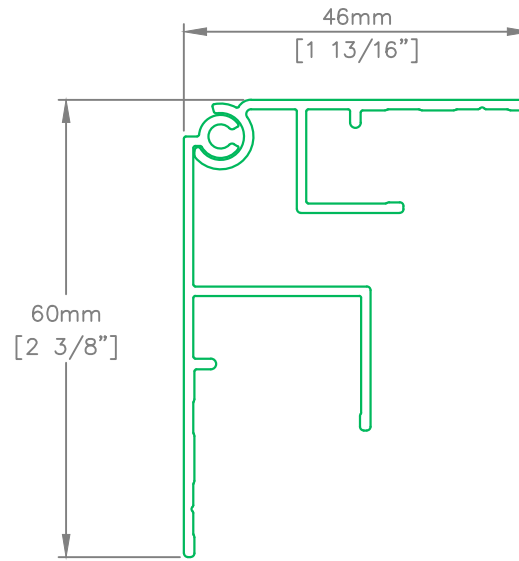
EZ 11
(DRAWING EZ11.1)

WALL THICKNESS APPROX. 1.3mm [.051"] 16 ga

DESCRIPTION			
5/16" TO 3/4" OUTSIDE CORNER & VERTICAL TRANSITION TRIM			
	SCALE	NTS	DRAWING NUMBER
	DATE	NOV2023	EZ0.8
	DRWN BY	HJ/DDG	



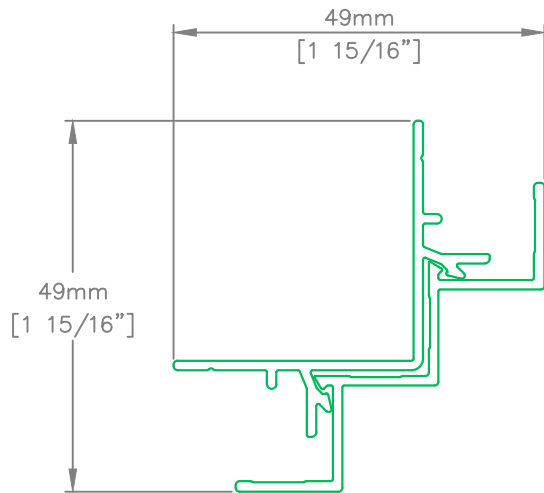
EZ 17
(DRAWING EZ17.1)



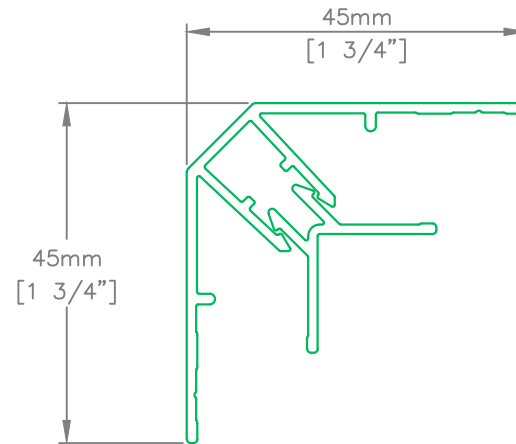
EZ 46
(DRAWING EZ46.1)

WALL THICKNESS APPROX. 1.3mm [.051\"] 16 ga

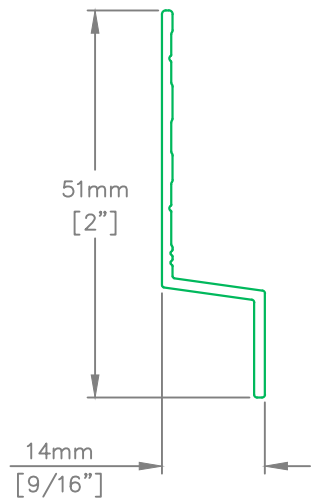
DESCRIPTION			
5/16" TO 3/4" INSIDE CORNER TRANSITION TRIM			
	SCALE	NTS	DRAWING NUMBER
	DATE	NOV2023	EZ0.9
	DRWN BY	HJ/DDG	



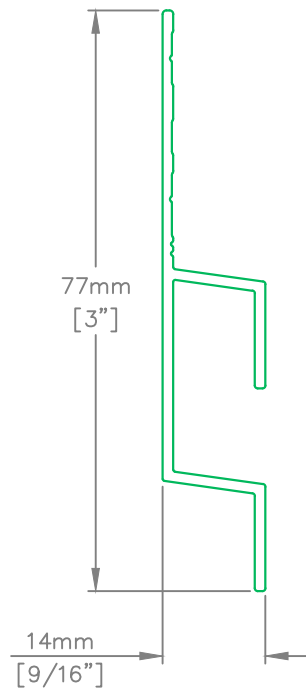
EZ 62
(DRAWING EZ62.1)



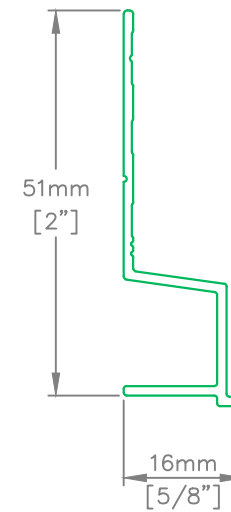
EZ 63
(DRAWING EZ63.1)



EZ 64
(DRAWING EZ64.1)




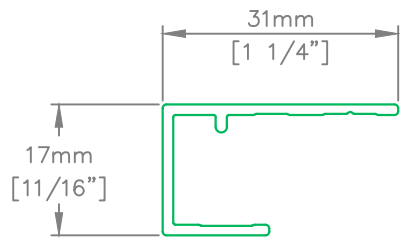
EZ 65
(DRAWING EZ65.1)



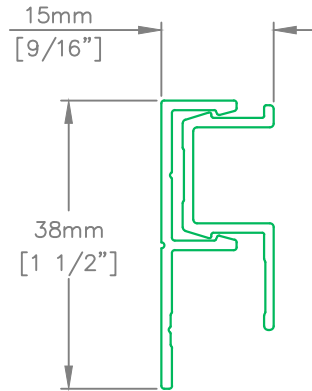
EZ 70
(DRAWING EZ70.1)

WALL THICKNESS APPROX. 1.3mm [.051\"] 16 ga

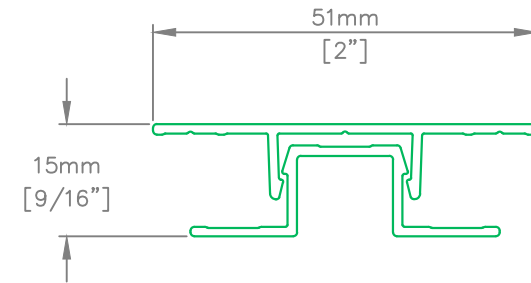
DESCRIPTION			
7/16" OUTSIDE CORNER, INSIDE CORNER & HORIZONTAL TRIM			
	SCALE	NTS	DRAWING NUMBER
	DATE	NOV2023	EZ0.10
	DRWN BY	HJ/DDG	



EZ 68
(DRAWING EZ68.1 & EZ68.2)

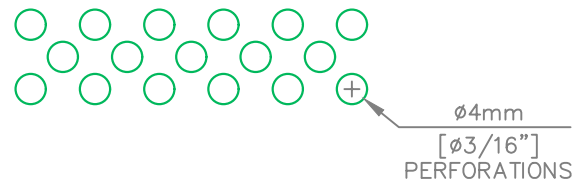
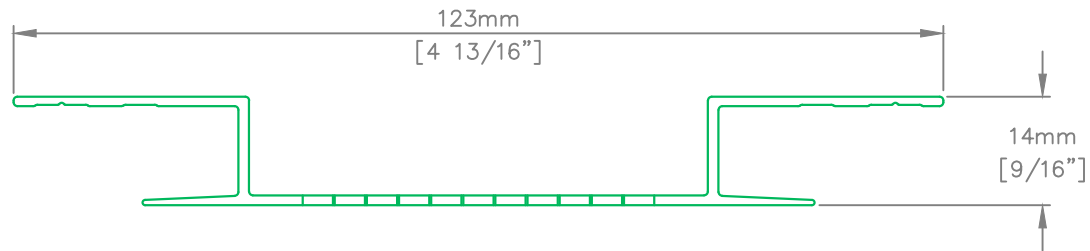


EZ 71
(DRAWING EZ71.1)




EZ 67
(DRAWING EZ67.1)

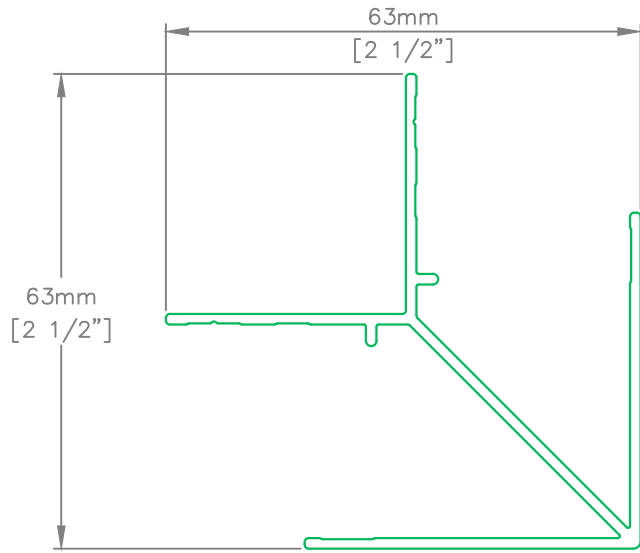
7.7 in²/ LIN FT
163.3 cm²/ LIN m
NET FREE AIR SPACE



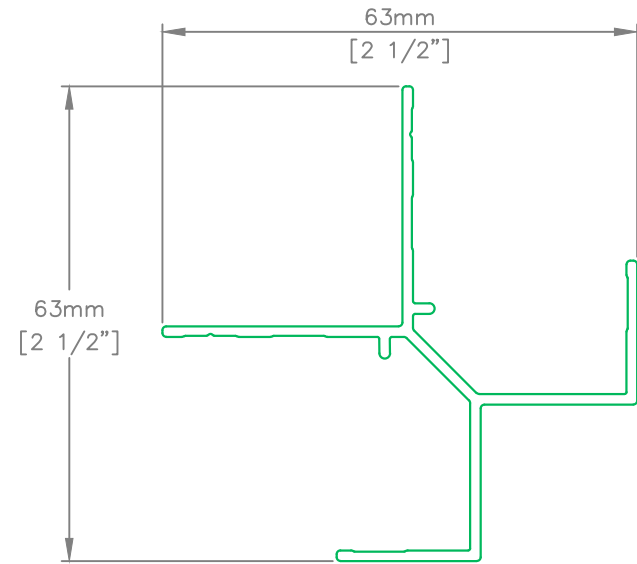
EZ 79
(DRAWING EZ79.1)

WALL THICKNESS APPROX. 1.3mm [.051\"] 16 ga

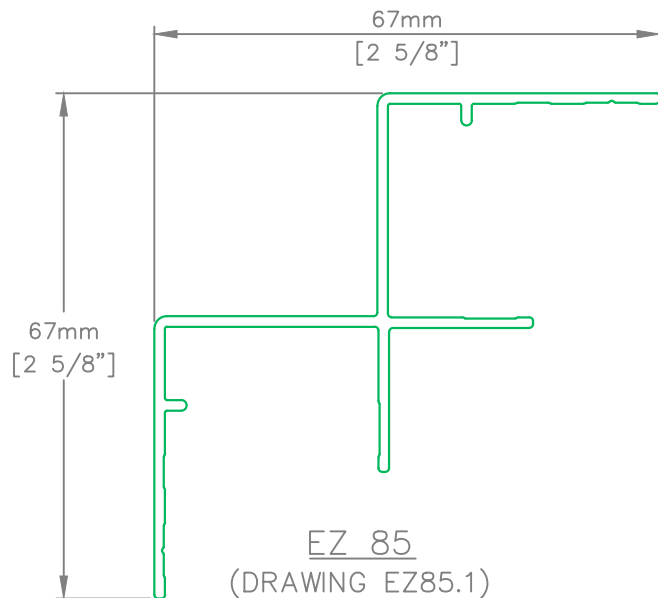
DESCRIPTION			
7/16" GENERAL J, VERTICAL & SOFFIT TRIM			
	SCALE	NTS	DRAWING NUMBER
	DATE	NOV2023	EZ0.11
	DRWN BY	HJ/DDG	



EZ 83
(DRAWING EZ83.1)



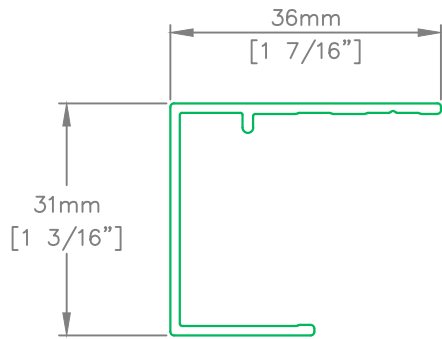
EZ 84
(DRAWING EZ84.1)



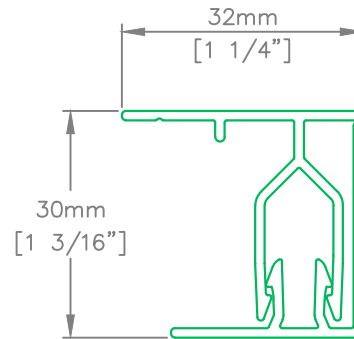
EZ 85
(DRAWING EZ85.1)

WALL THICKNESS APPROX. 1.3mm [.051"] 16 ga

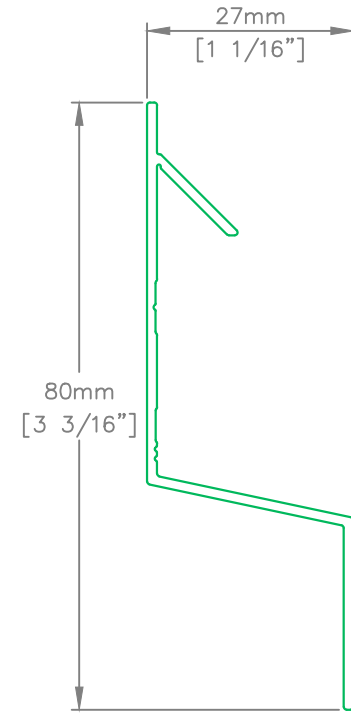
DESCRIPTION			
1" OUTSIDE & INSIDE TRIM			
	SCALE	NTS	DRAWING NUMBER
	DATE	NOV2023	EZ0.12
	DRWN BY	HJ/DDG	



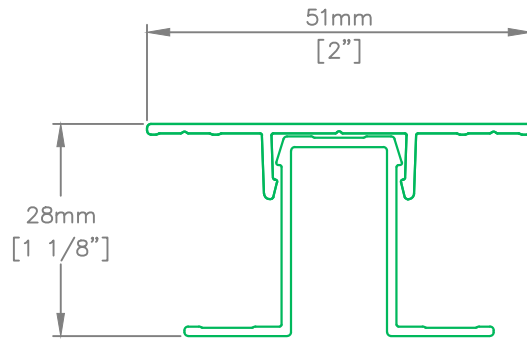
EZ 80
(DRAWING EZ80.1 & EZ80.2)



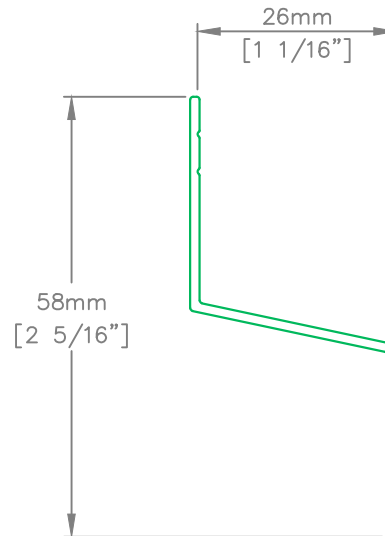
EZ 87
(DRAWING EZ87.1)



EZ 81
(DRAWING EZ81.1)




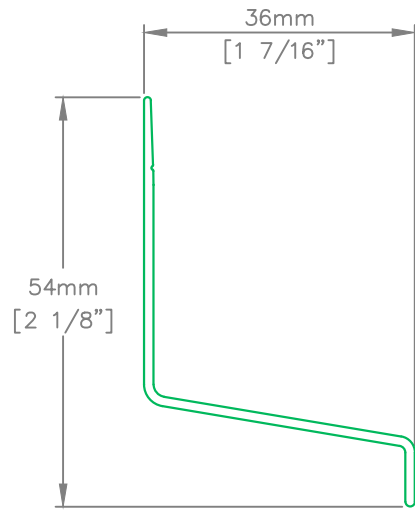
EZ 82
(DRAWING EZ82.1)



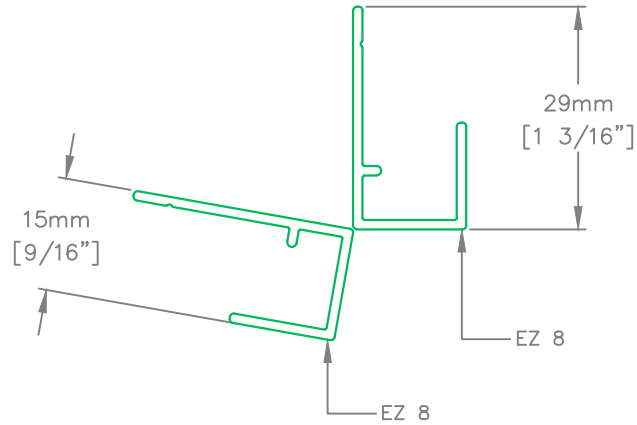
EZ 86
(DRAWING EZ86.1)

WALL THICKNESS APPROX. 1.3mm [.051\"] 16 ga

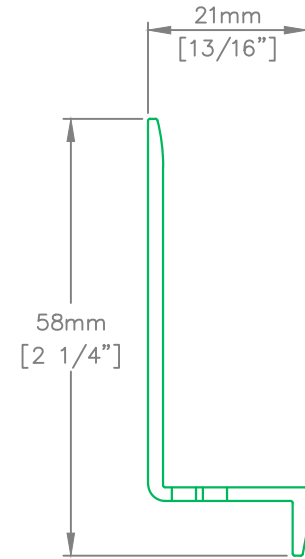
DESCRIPTION			
1" GENERAL J, HORIZONTAL & VERTICAL TRIM			
	SCALE	NTS	DRAWING NUMBER
	DATE	NOV2023	EZ0.13
	DRWN BY	HJ/DDG	



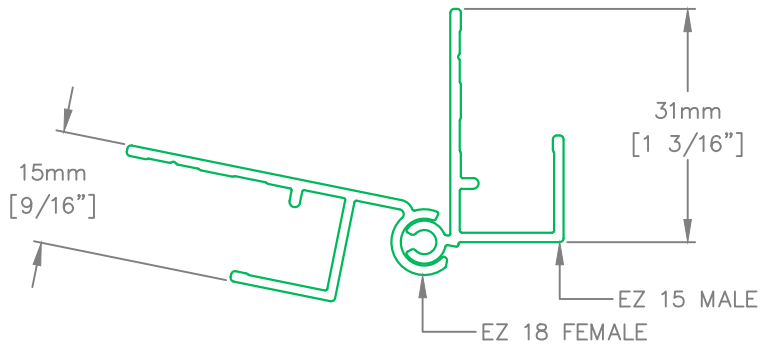
EZ 28
 (DRAWING EZ28.1 EZ28.2 EZ28.3
 EZ28.4 EZ28.5 EZ28.6 & EZ28.7)



EZ ACUTE CORNER
 (DRAWING EZ8.3)



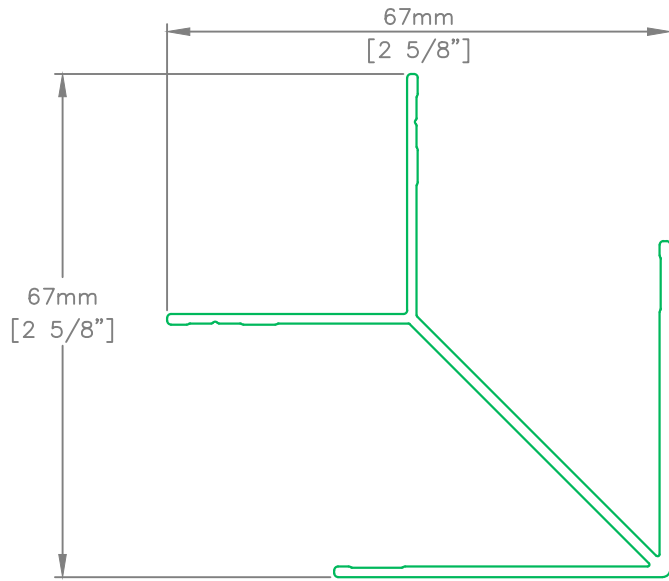
EZ 60
 (DRAWING EZ60.1)



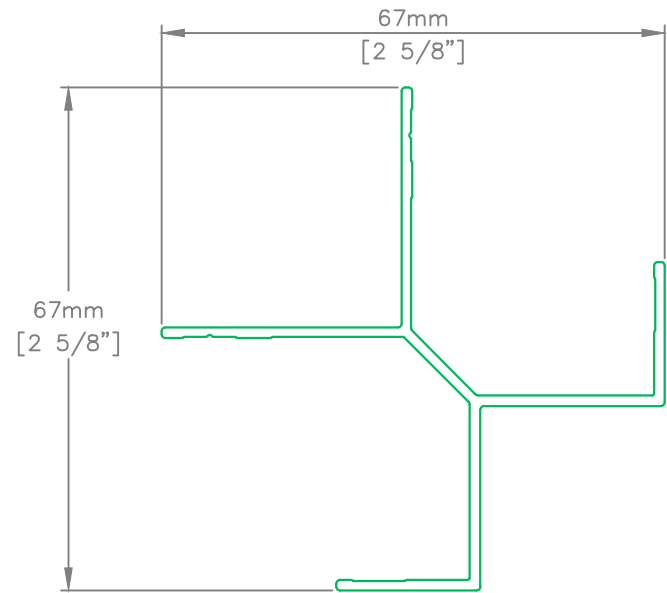
EZ ACUTE CORNER
 (DRAWING EZ15.2)

WALL THICKNESS APPROX. 1.3mm [.051\"] 16 ga

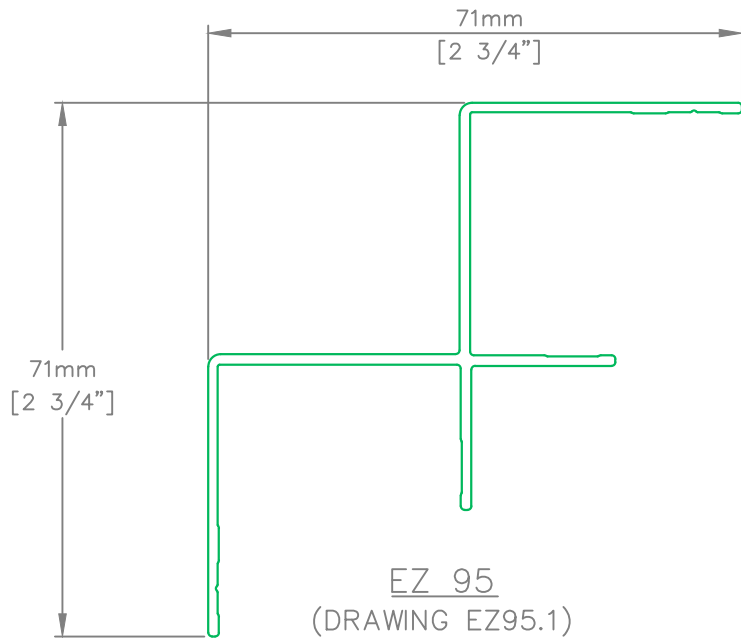
DESCRIPTION			
UNIVERSAL & MISCELLANEOUS TRIM			
	SCALE	NTS	DRAWING NUMBER
	DATE	NOV2023	EZO.14
	DRWN BY	HJ/DDG	



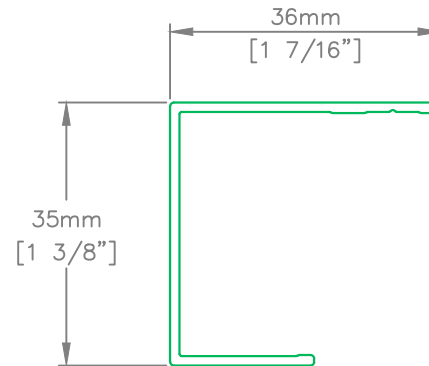
EZ 93
(DRAWING EZ93.1)



EZ 94
(DRAWING EZ94.1)




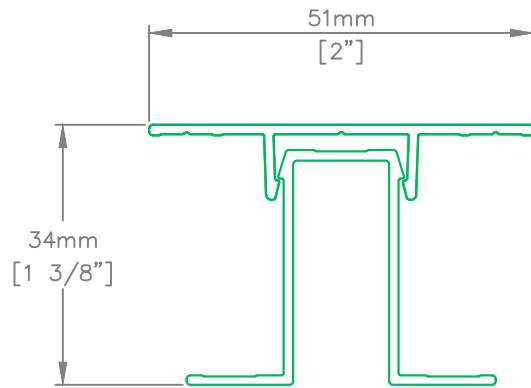
EZ 95
(DRAWING EZ95.1)



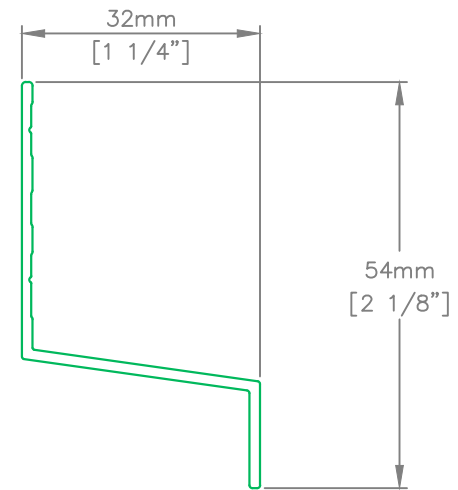
EZ 90
(DRAWING EZ90.1 & EZ90.2)

WALL THICKNESS APPROX. 1.3mm [.051\"] 16 ga

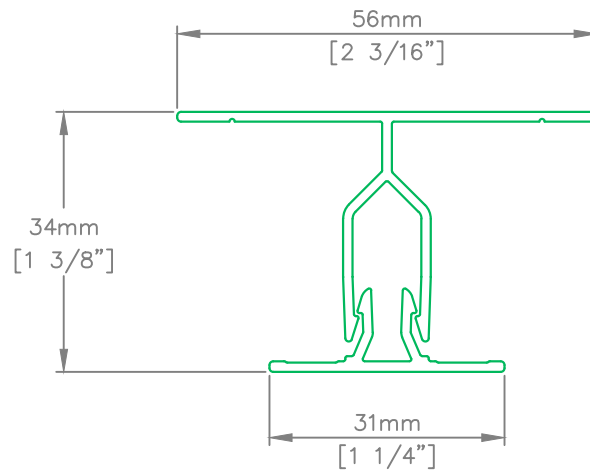
DESCRIPTION			
1-1/4" OUTSIDE & INSIDE TRIM			
	SCALE	NTS	DRAWING NUMBER
	DATE	NOV2023	EZ0.15
	DRWN BY	HJ/DDG	



EZ 92
(DRAWING EZ92.1)




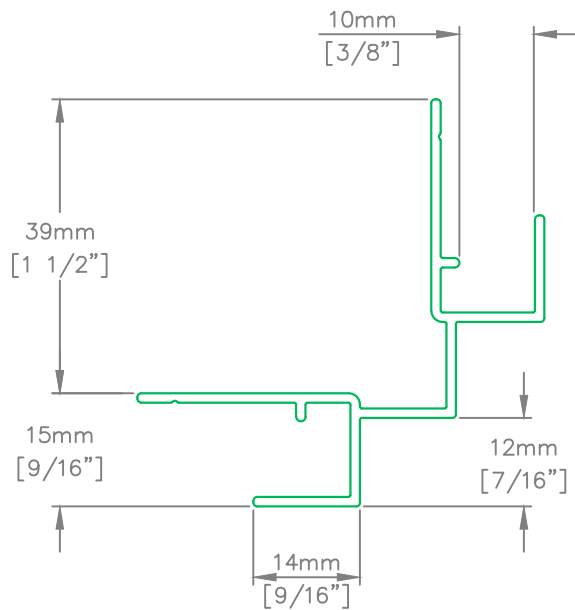
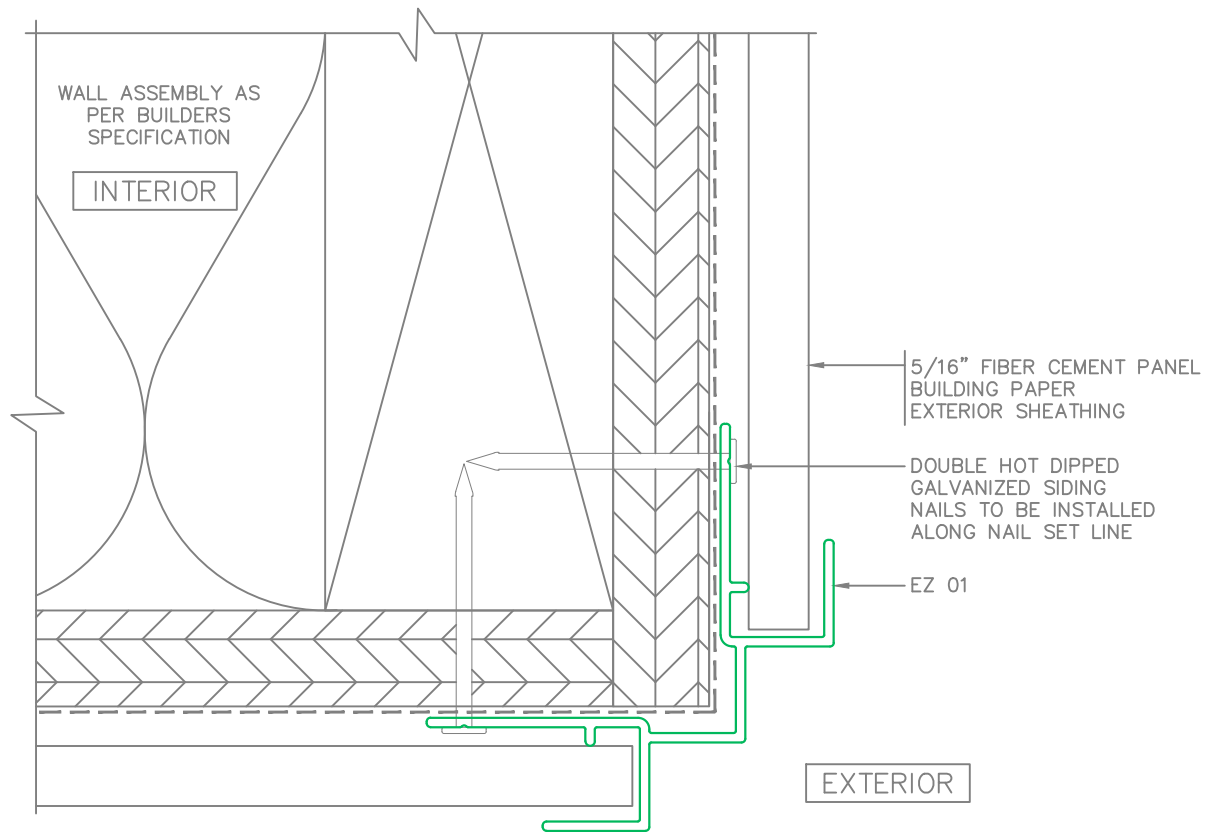
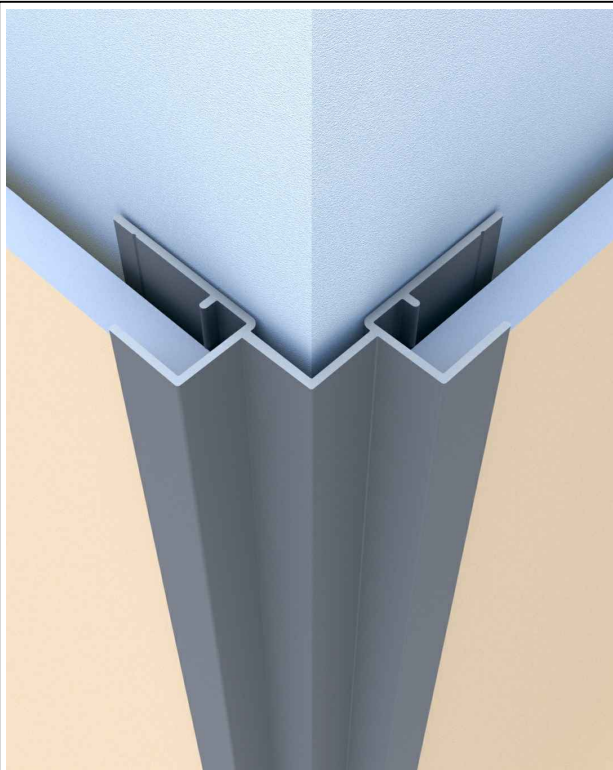
EZ 91
(DRAWING EZ91.1, EZ91.2 & EZ91.3)




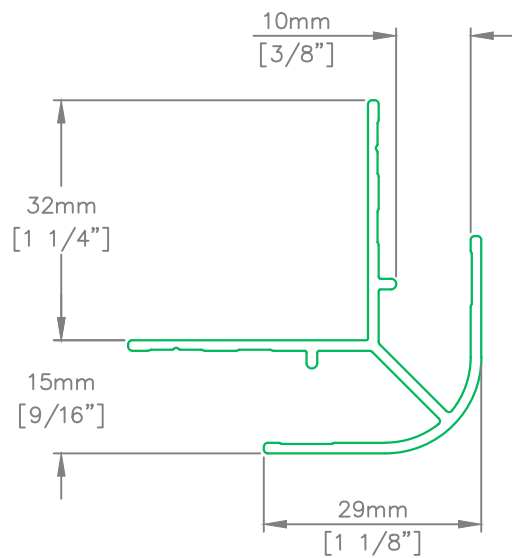
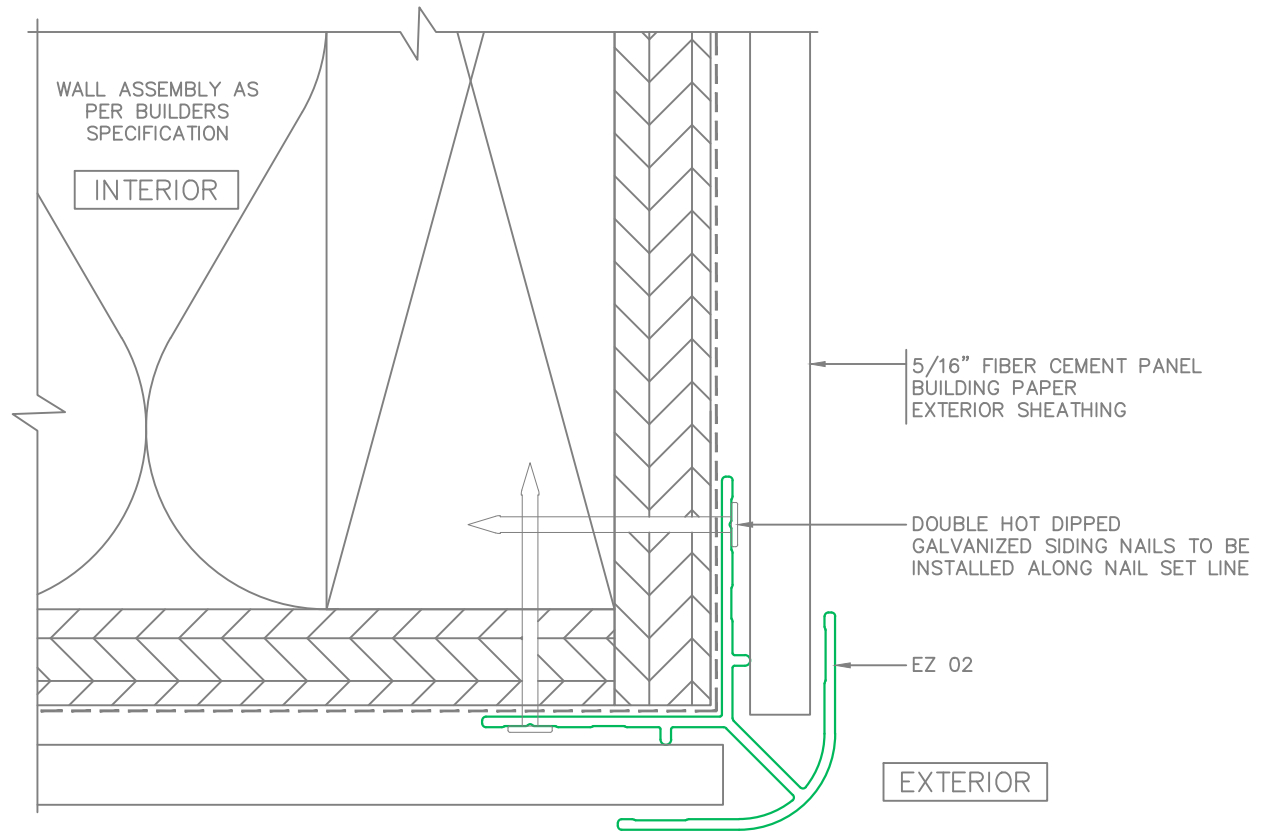
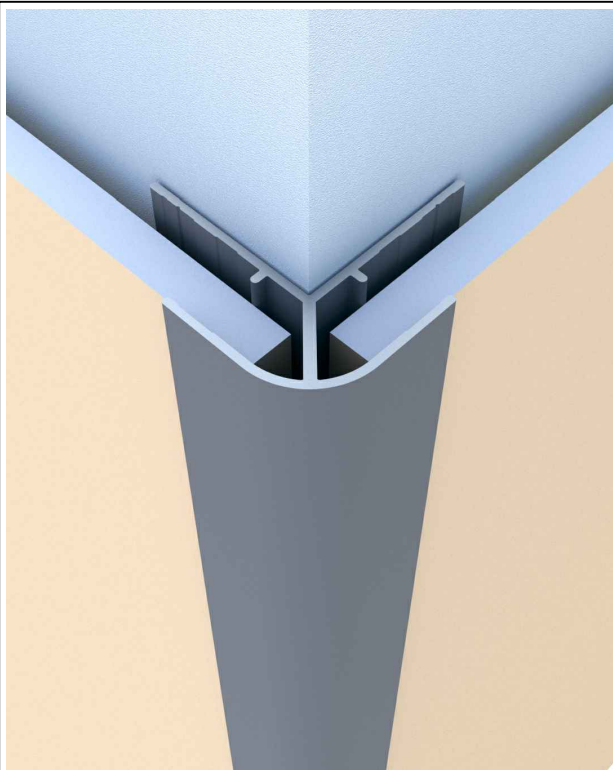
EZ 96
(DRAWING EZ96.1)


WALL THICKNESS APPROX. 1.3mm [.051"] 16 ga

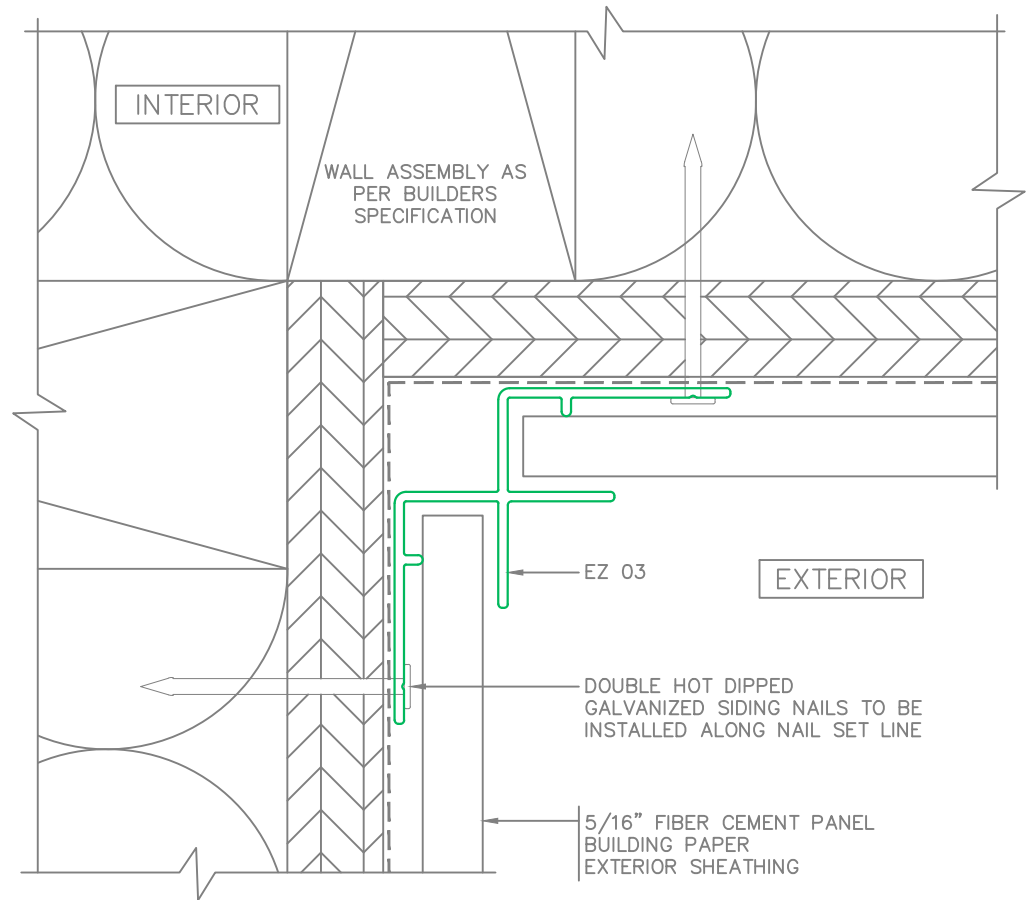
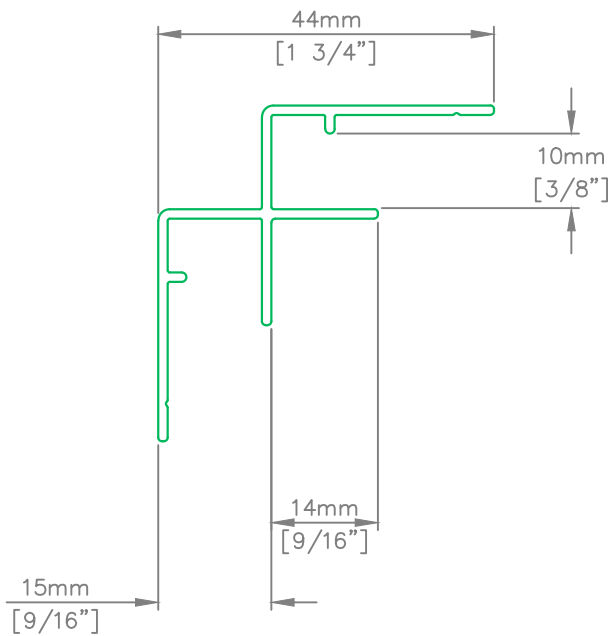
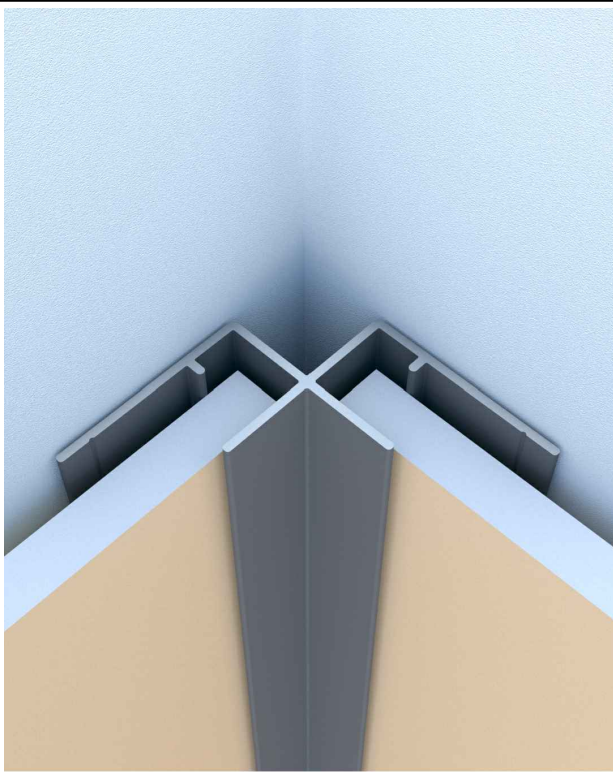
DESCRIPTION			
1-1/4" GENERAL J, HORIZONTAL & VERTICAL TRIM			
	SCALE	NTS	DRAWING NUMBER
	DATE	NOV2023	EZ0.16
	DRWN BY	HJ/DDG	



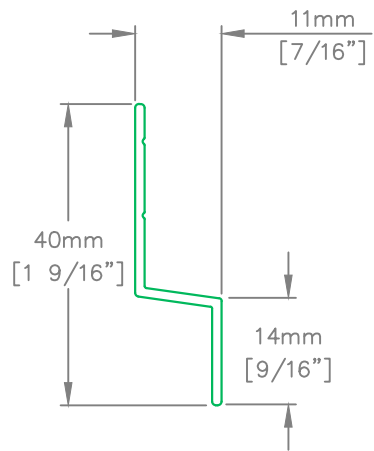
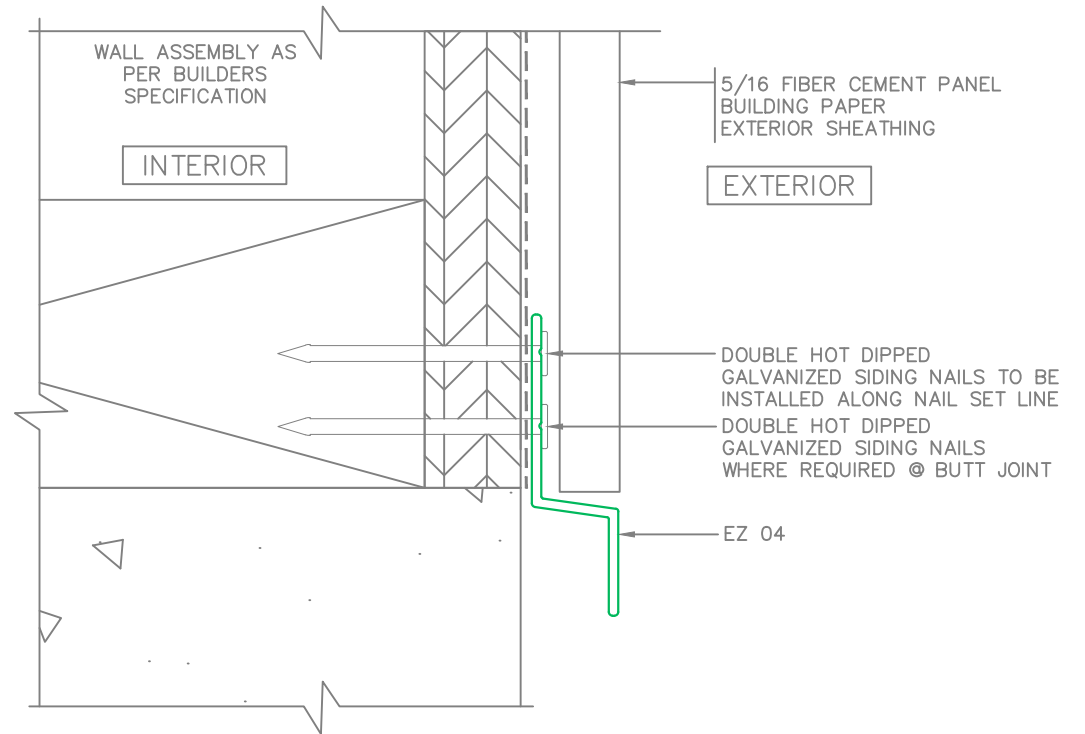
DESCRIPTION			
EZ 01 SQUARE OUTSIDE CORNER 5/16" TRIM			
	SCALE	NTS	DRAWING NUMBER
	DATE	NOV2023	EZ1.1
	DRWN BY	HJ/DDG	



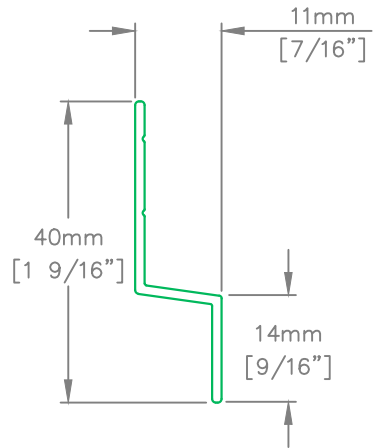
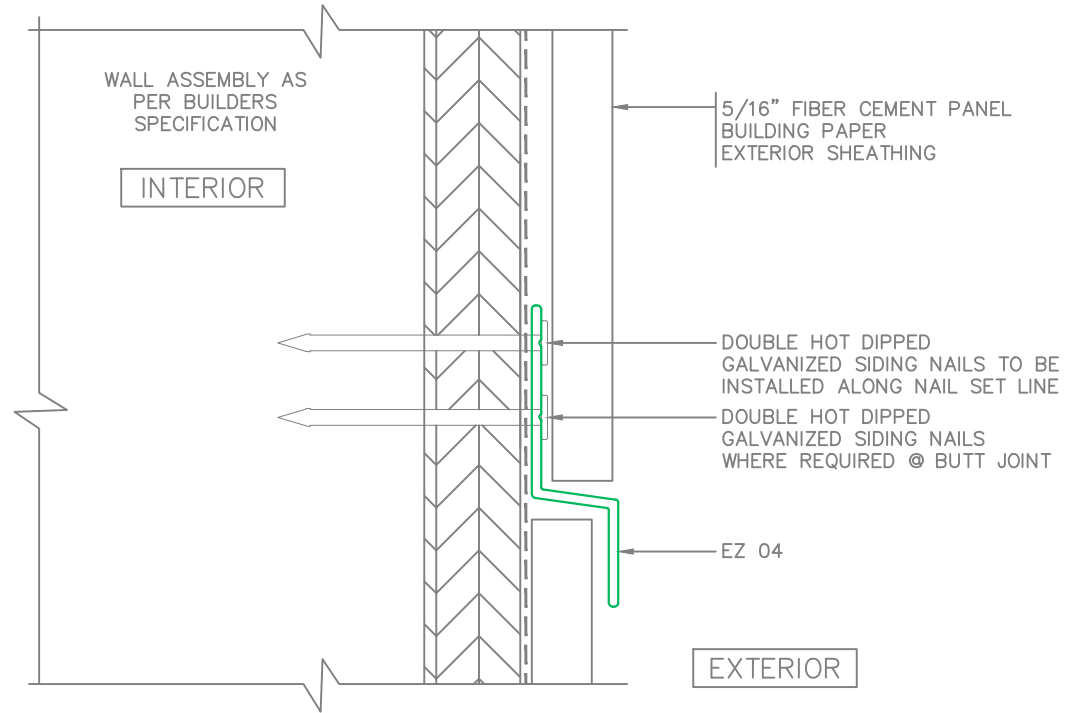
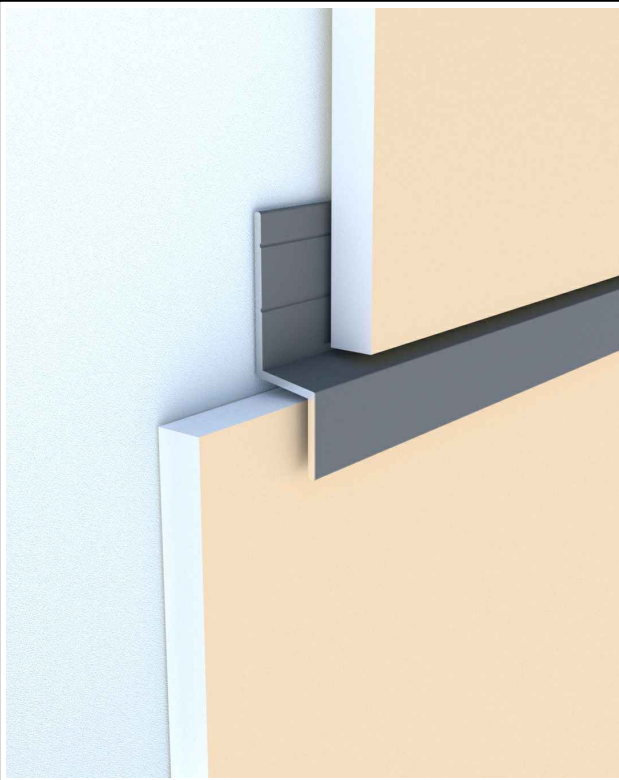
DESCRIPTION			
EZ 02 ROUND OUTSIDE CORNER 5/16" TRIM			
	SCALE	NTS	DRAWING NUMBER
	DATE	NOV2023	EZ2.1
	DRWN BY	HJ/DDG	



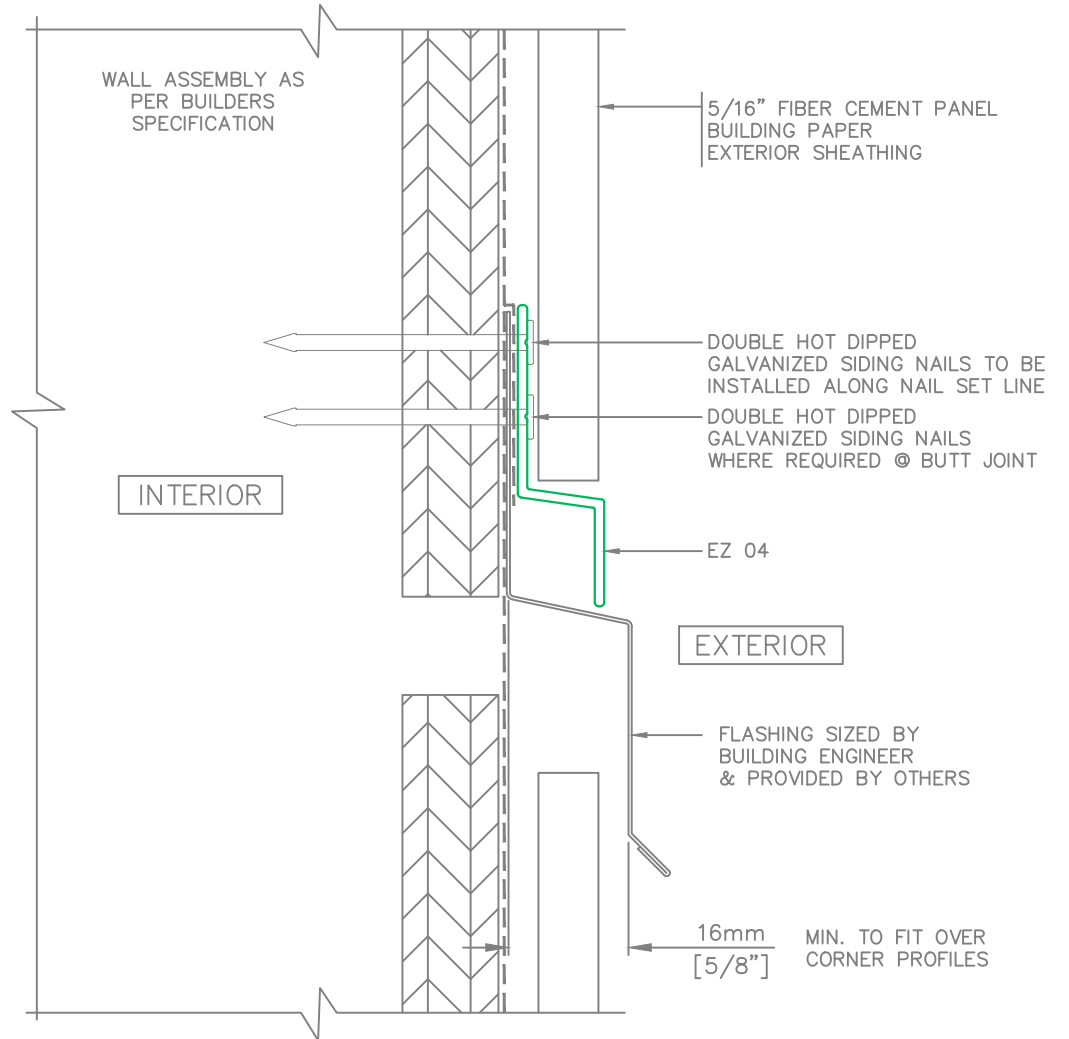
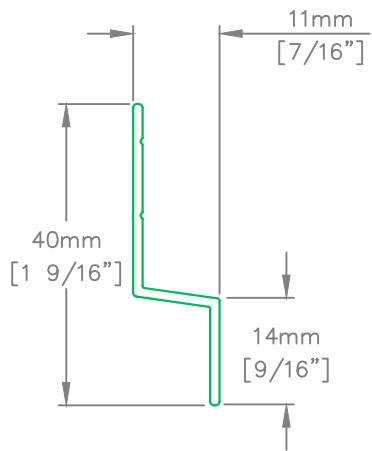
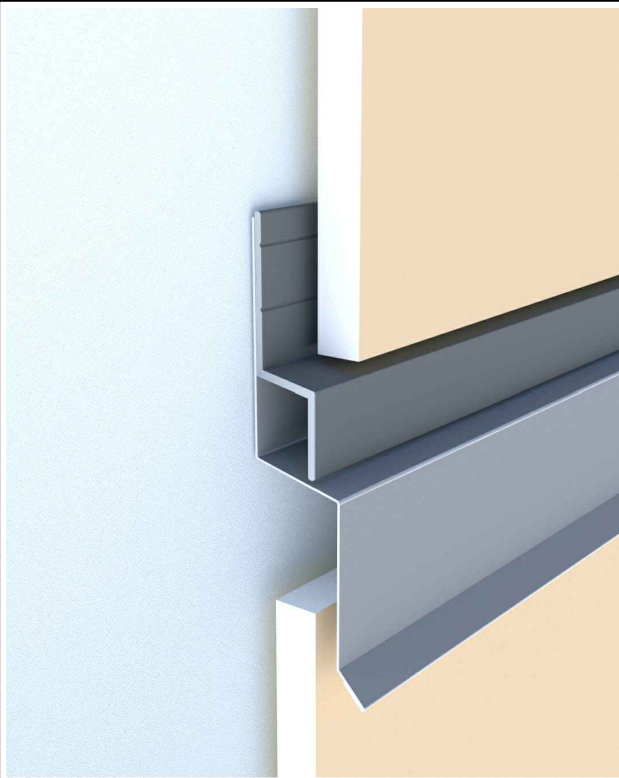
DESCRIPTION			
EZ 03 INSIDE CORNER 5/16" TRIM			
	SCALE	NTS	DRAWING NUMBER
	DATE	NOV2023	EZ3.1
	DRWN BY	HJ/DDG	



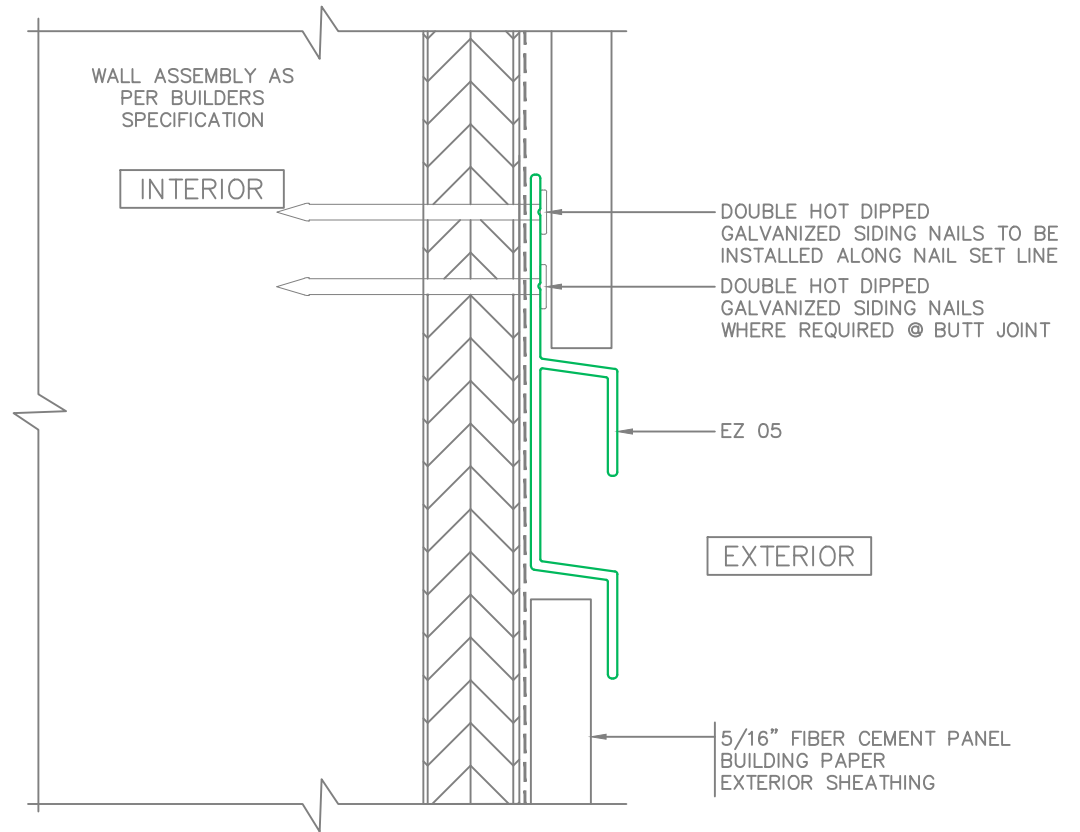
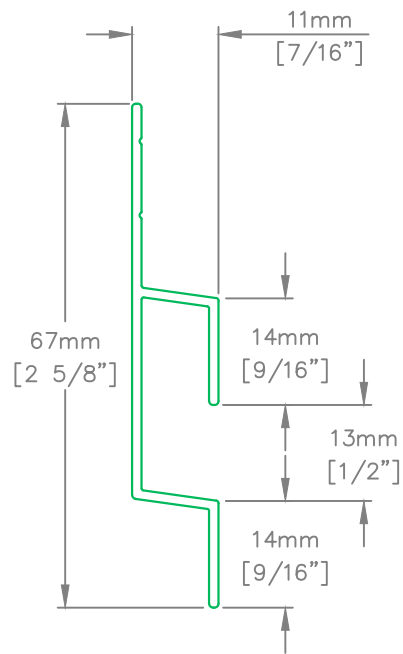
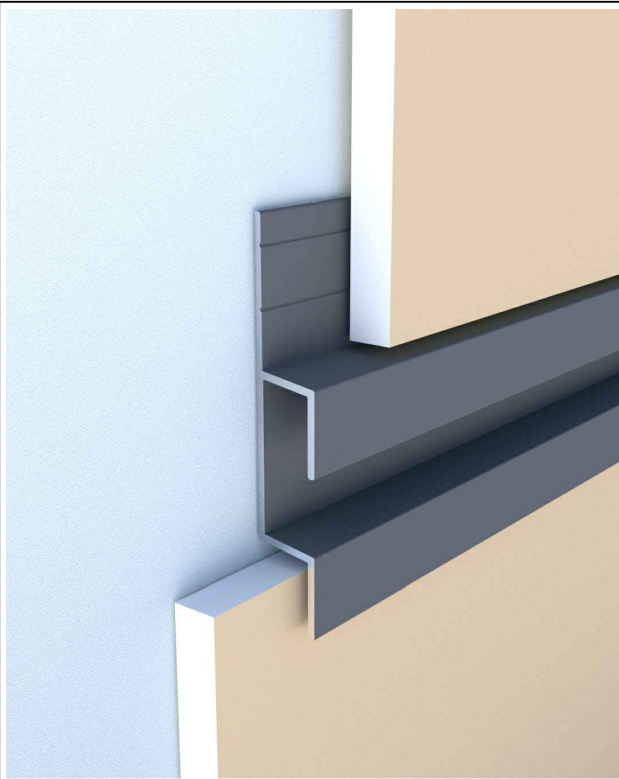
DESCRIPTION			
EZ 04 HORIZONTAL Z STARTER 5/16" TRIM			
	SCALE	NTS	DRAWING NUMBER
	DATE	NOV2023	EZ4.1
	DRWN BY	HJ/DDG	



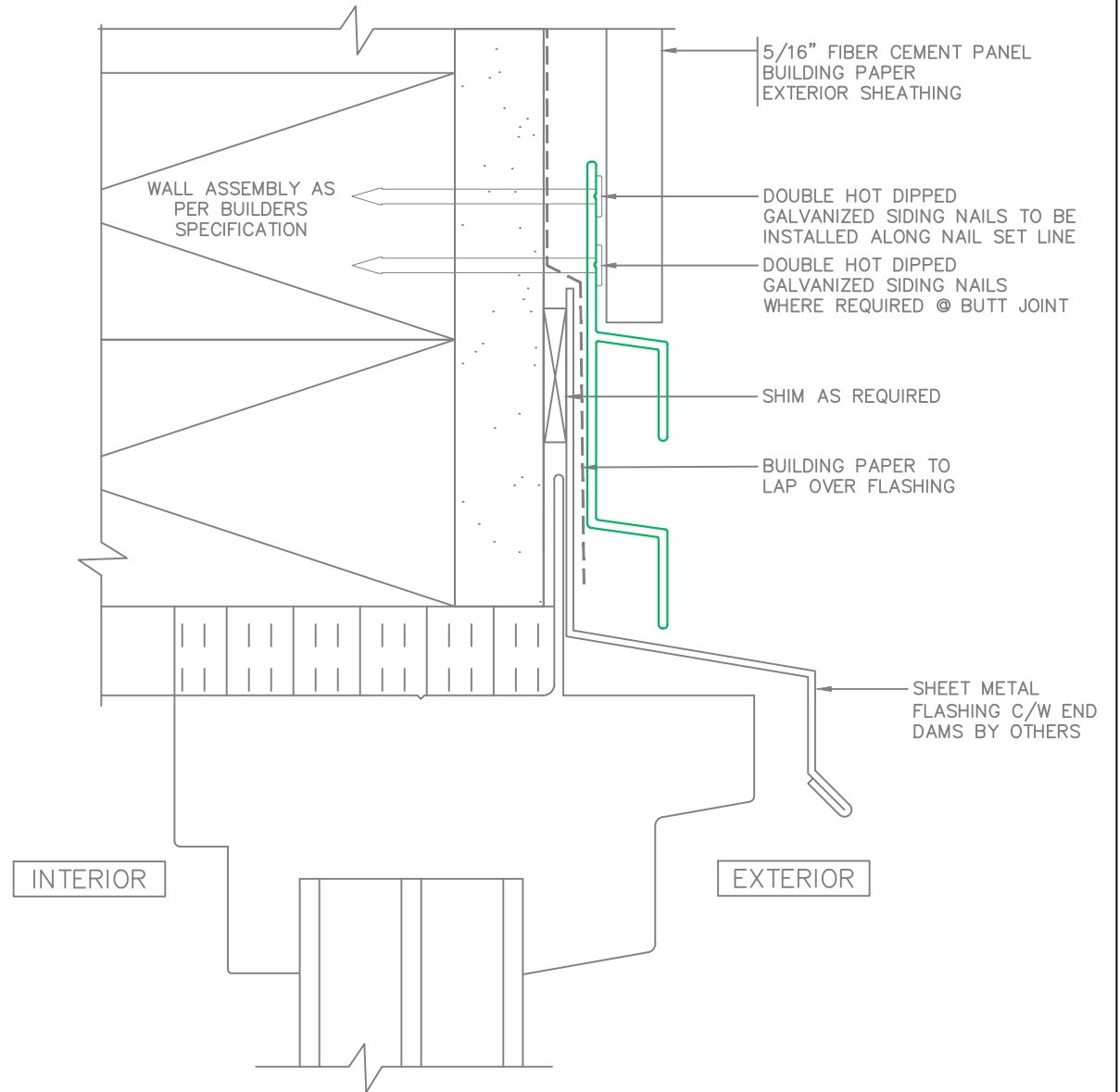
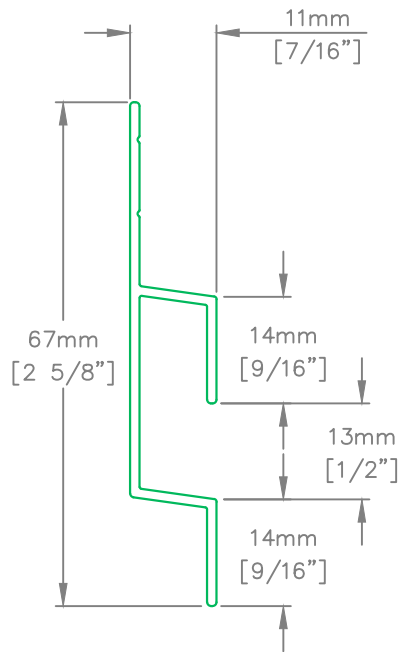
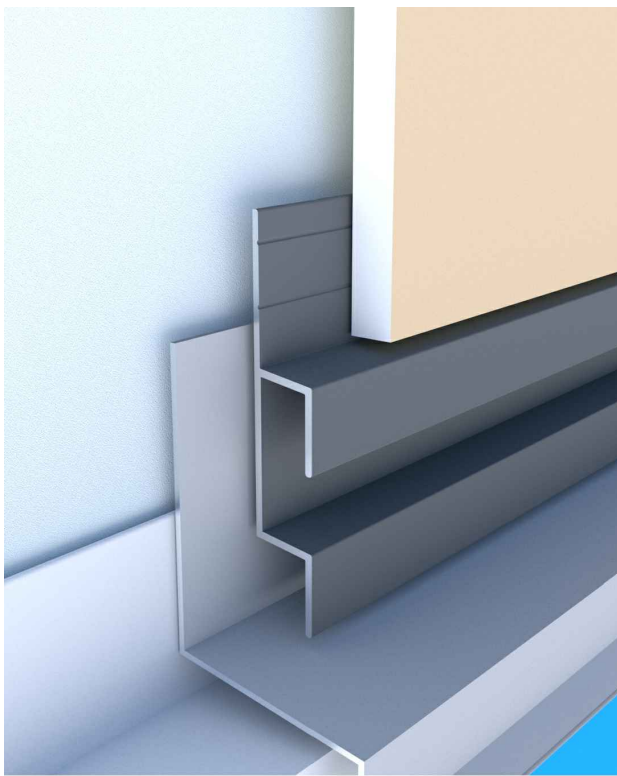
DESCRIPTION			
EZ 04 HORIZONTAL Z INTERMEDIATE 5/16" TRIM			
	SCALE	NTS	DRAWING NUMBER
	DATE	NOV2023	EZ4.2
	DRWN BY	HJ/DDG	



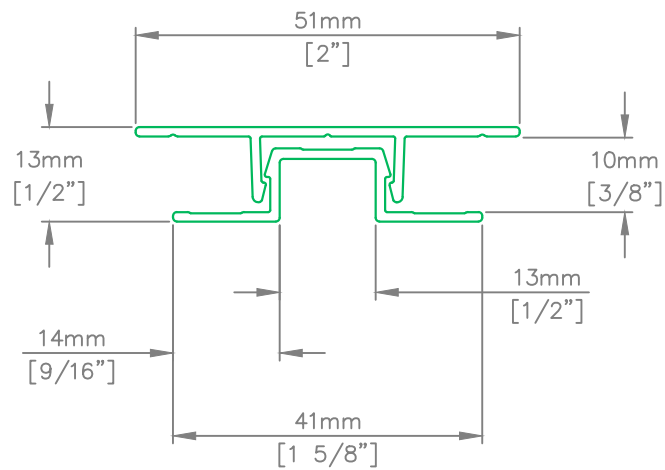
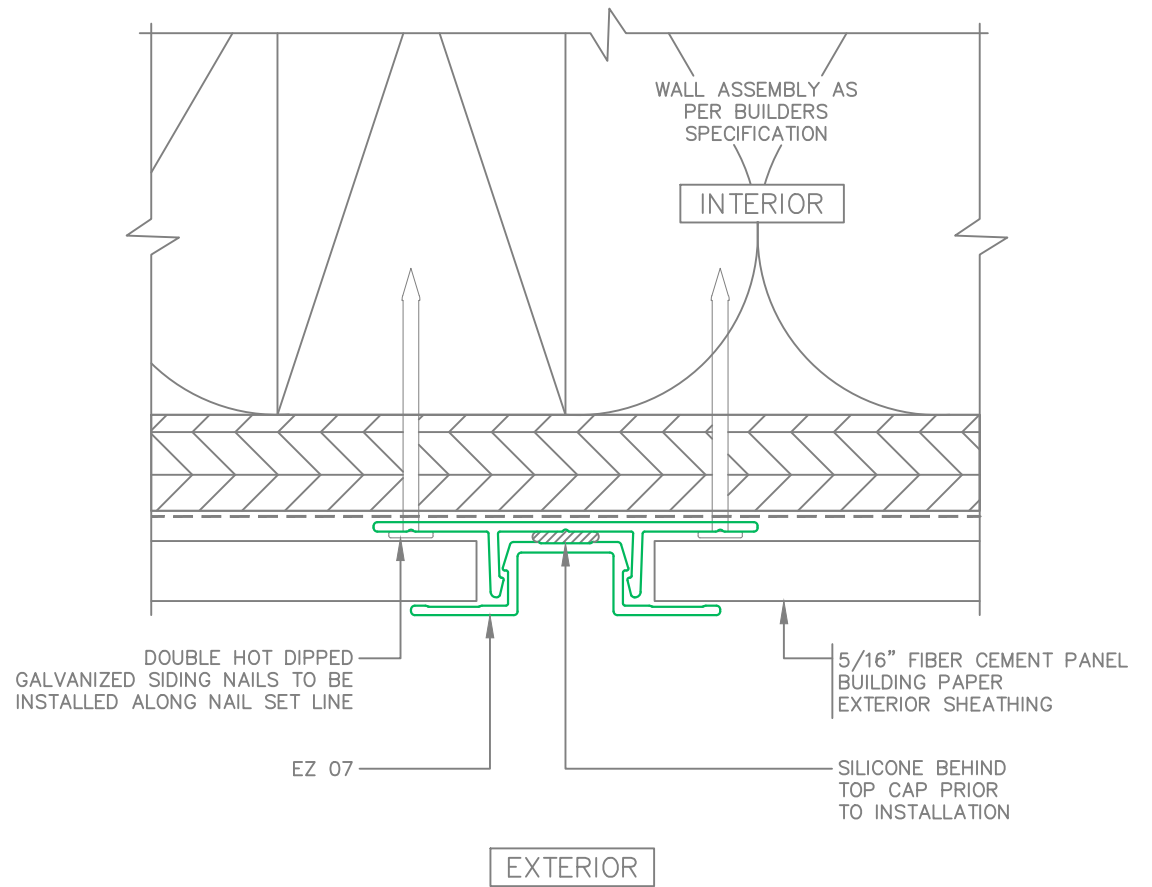
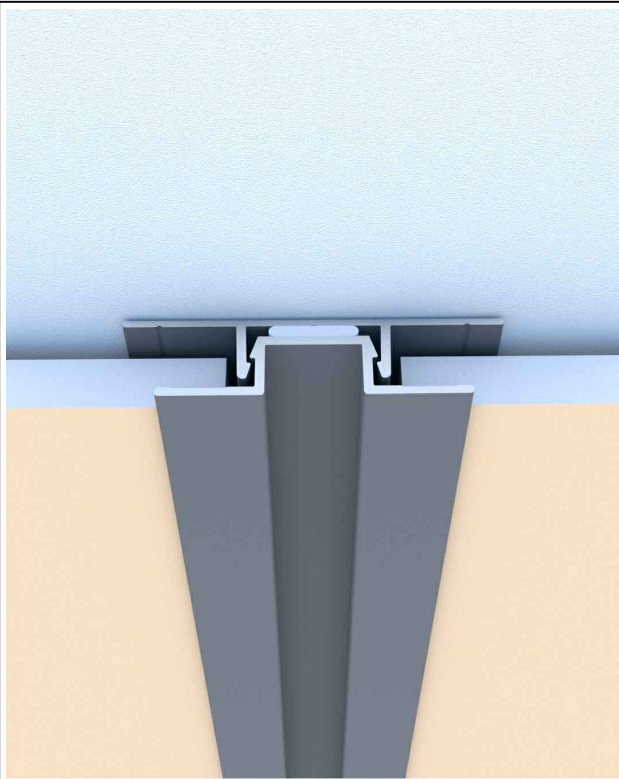
DESCRIPTION			
EZ 04 @ SHRINKAGE ZONE MULTI-STORY WOOD FRAME			
	SCALE	NTS	DRAWING NUMBER
	DATE	NOV2023	
	DRWN BY	HJ/DDG	EZ4.3




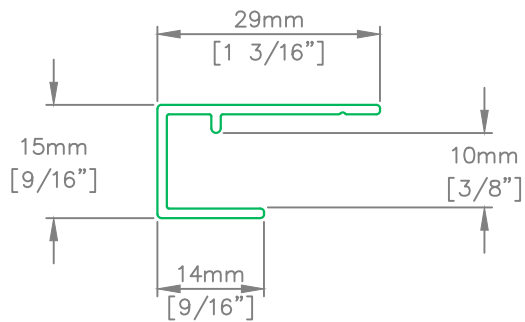
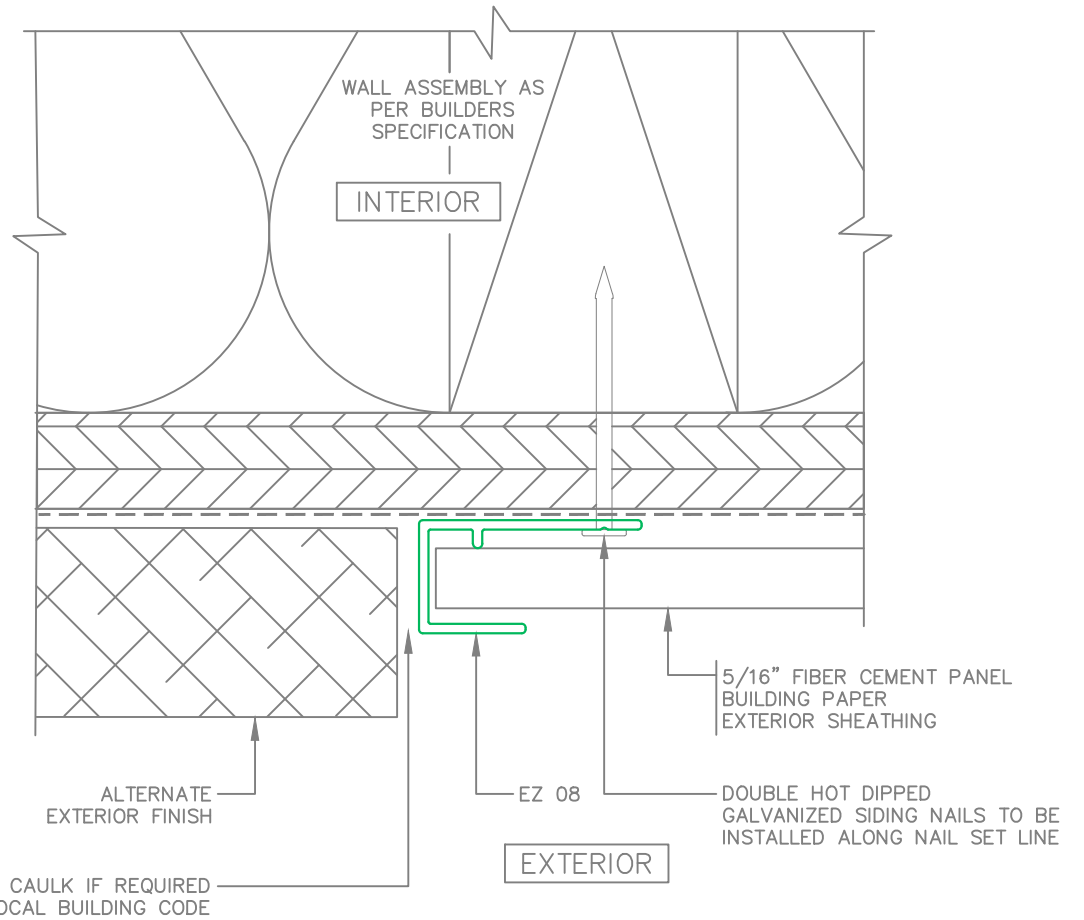
DESCRIPTION			
EZ 05 HORIZONTAL H INTERMEDIATE 5/16" TRIM			
	SCALE	NTS	DRAWING NUMBER
	DATE	NOV2023	EZ5.1
	DRWN BY	HJ/DDG	




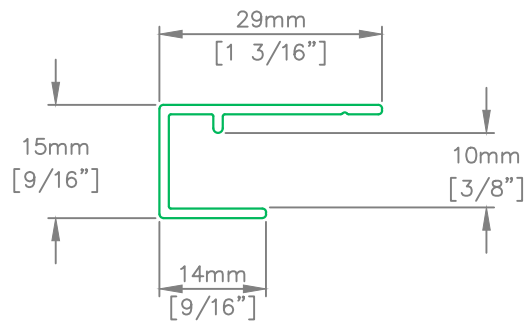
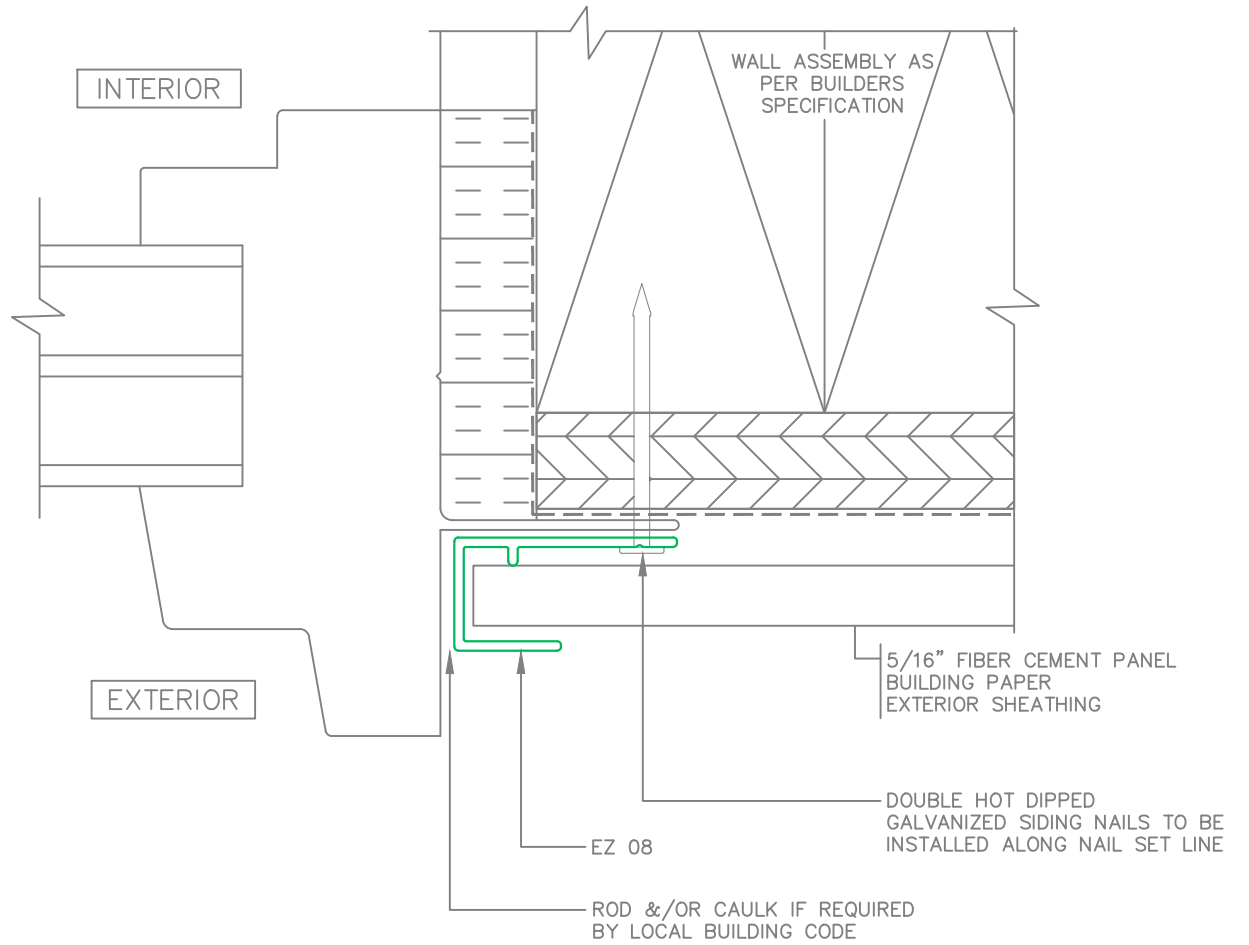
DESCRIPTION			
EZ 05 HORIZONTAL H WINDOW HEAD 5/16" TRIM			
	SCALE	NTS	DRAWING NUMBER
	DATE	NOV2023	
	DRWN BY	HJ/DDG	EZ5.2




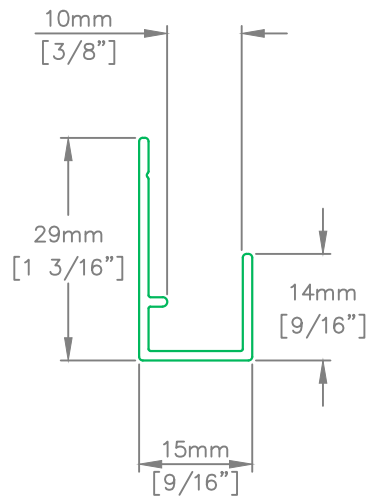
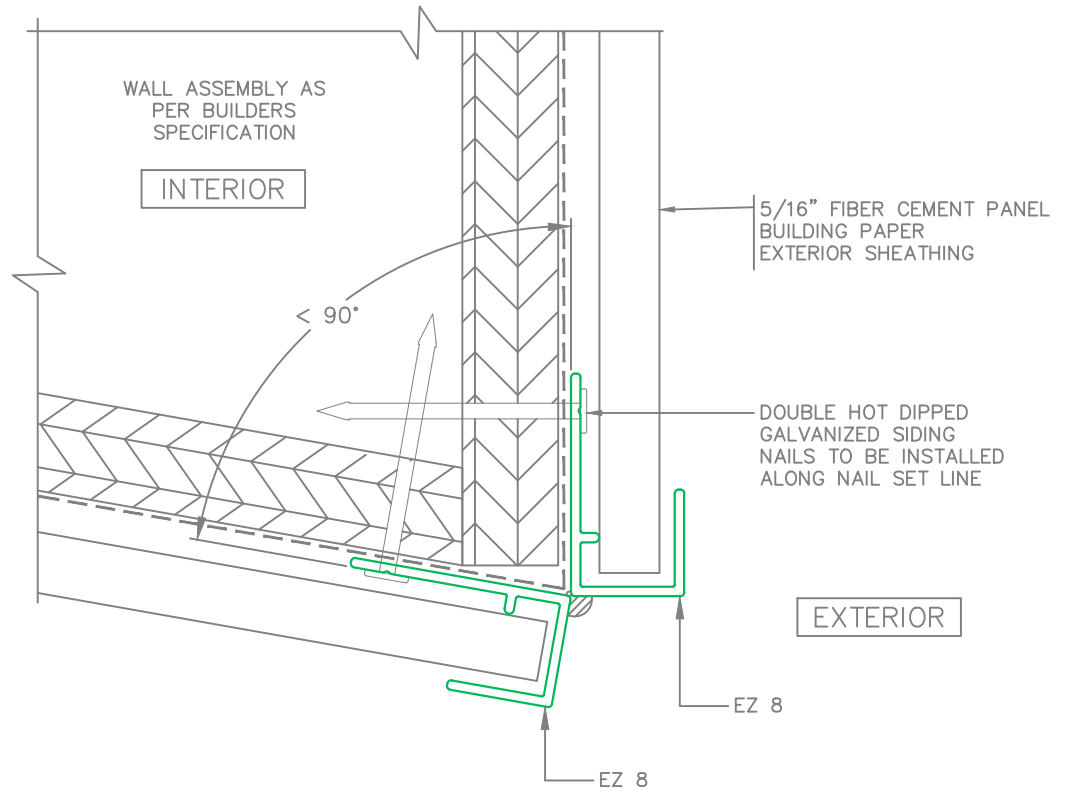
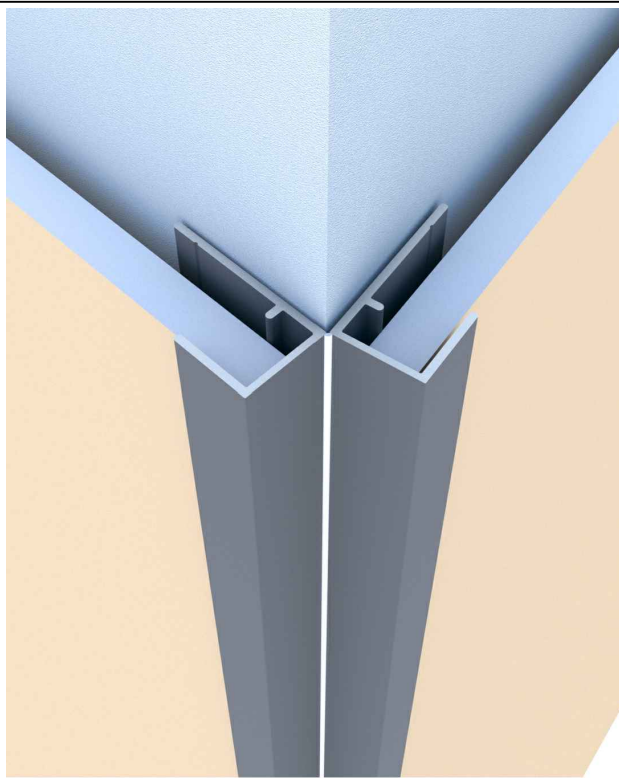
DESCRIPTION			
EZ 07 2-PIECE VERTICAL U 5/16" TRIM			
	SCALE	NTS	DRAWING NUMBER
	DATE	NOV2023	EZ7.1
	DRWN BY	HJ/DDG	



DESCRIPTION			
EZ 08 GENERAL J VERTICAL TERMINATION 5/16" TRIM			
	SCALE	NTS	DRAWING NUMBER
	DATE	NOV2023	EZ8.1
	DRWN BY	HJ/DDG	



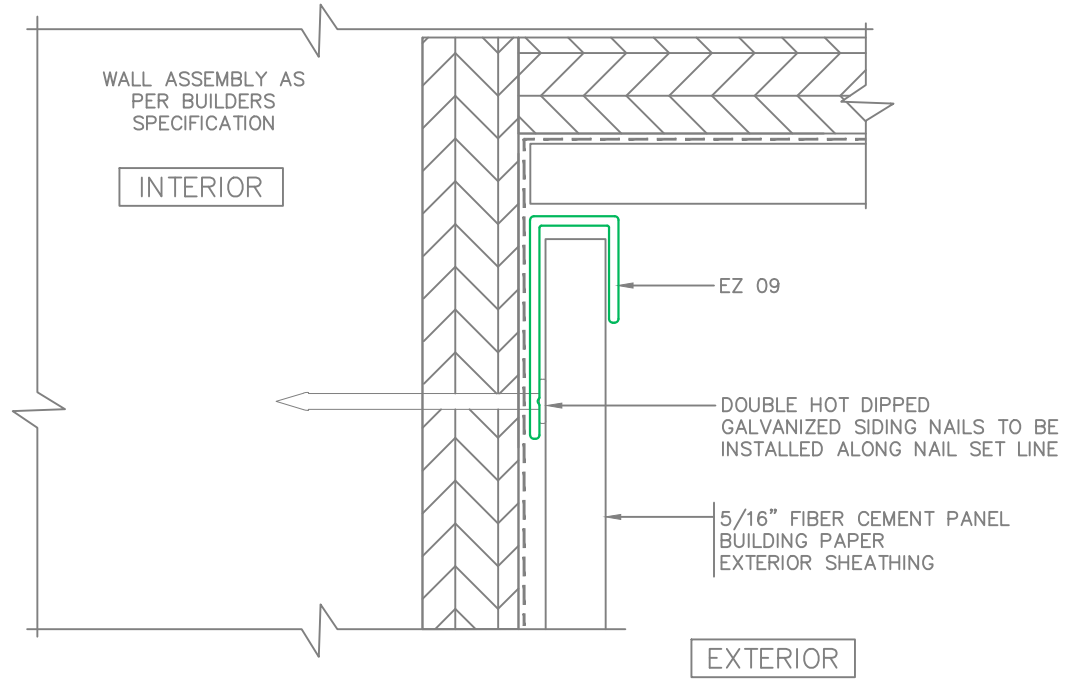
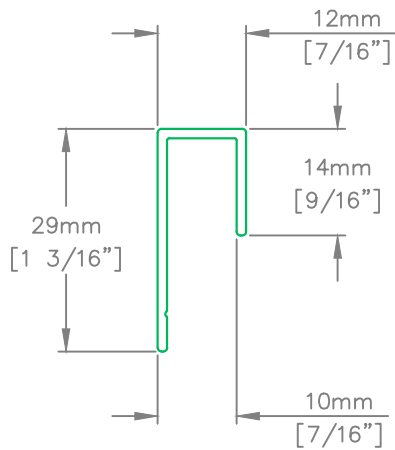
DESCRIPTION			
EZ 08 GENERAL J WINDOW JAMB 5/16" TRIM			
	SCALE	NTS	DRAWING NUMBER
	DATE	NOV2023	EZ8.2
	DRWN BY	HJ/DDG	



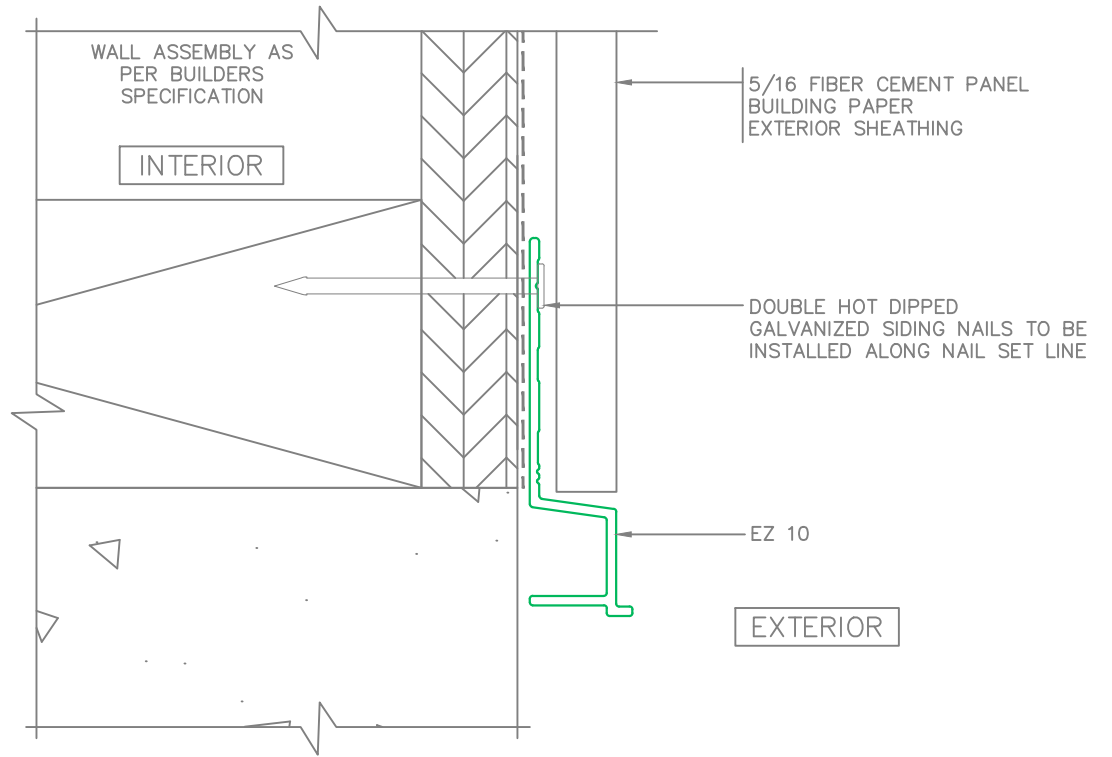
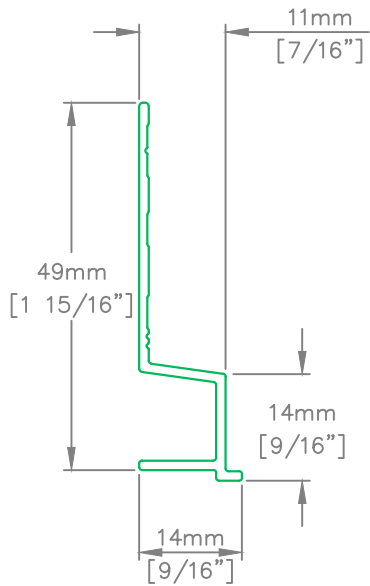
DESCRIPTION


EZ 08 SPECIAL MULTI-ANGLE ACUTE (< 90°)
OUTSIDE CORNER 5/16" TRIM

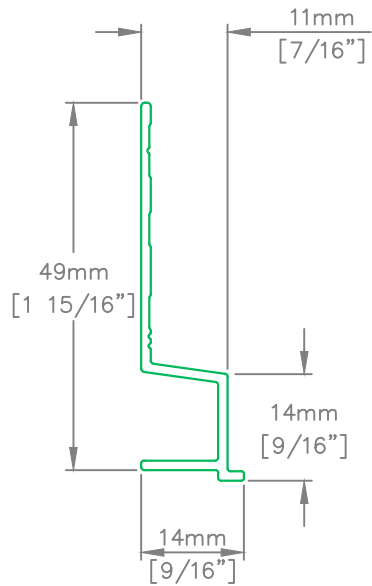
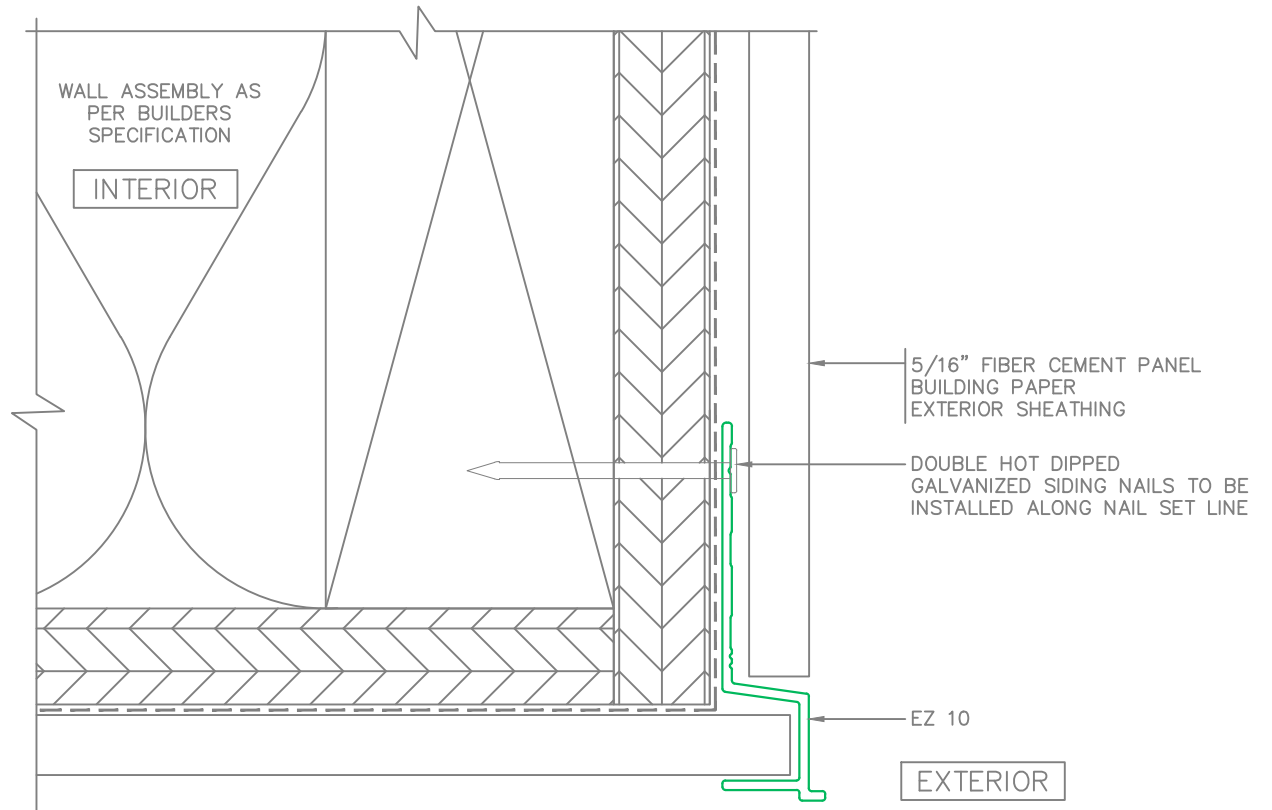
	SCALE	NTS	DRAWING NUMBER
	DATE	NOV2023	EZ8.3
	DRWN BY	HJ/DDG	



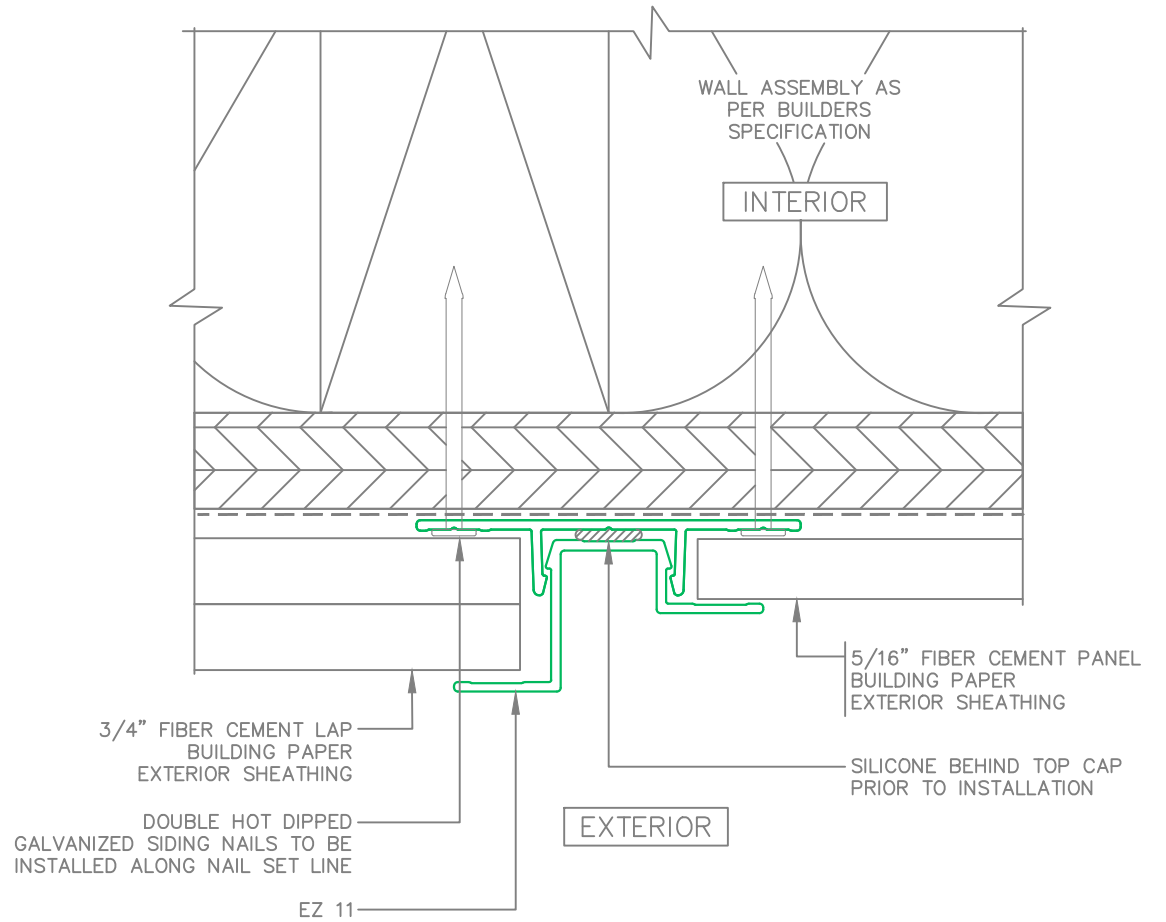
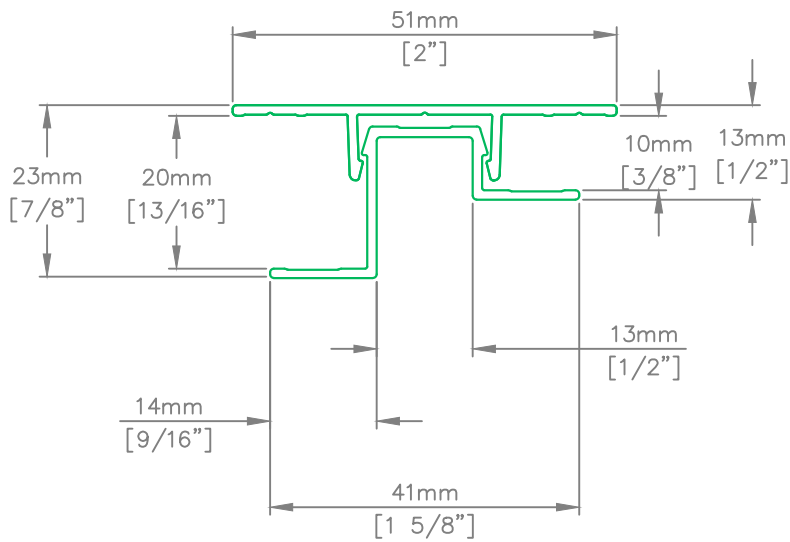
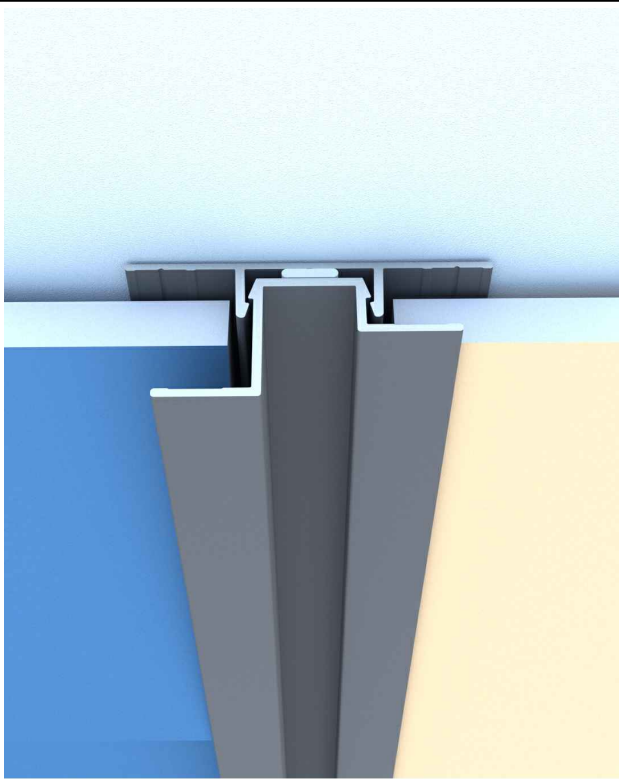
DESCRIPTION			
EZ 09 SOFFIT J 5/16" TRIM			
	SCALE	NTS	DRAWING NUMBER
	DATE	NOV2023	
	DRWN BY	HJ/DDG	EZ9.1




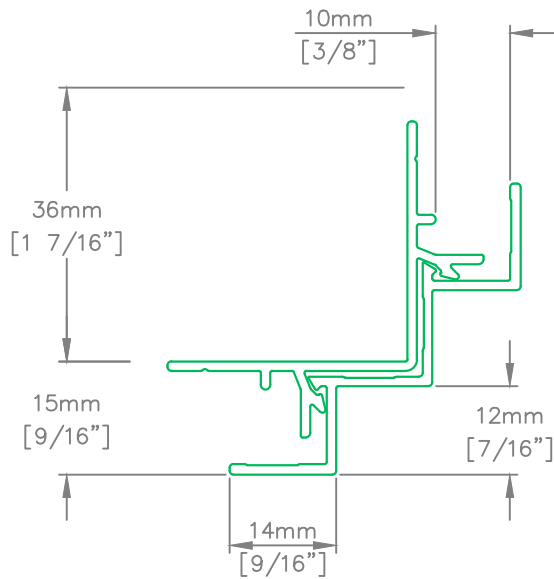
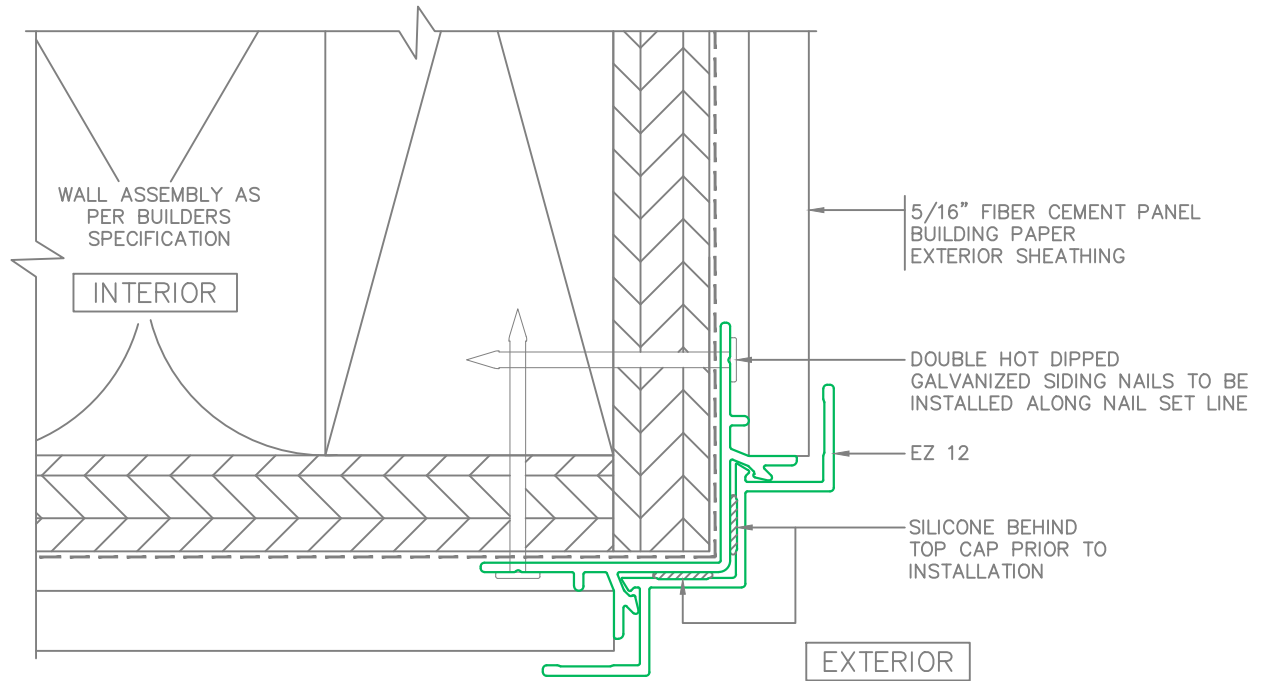
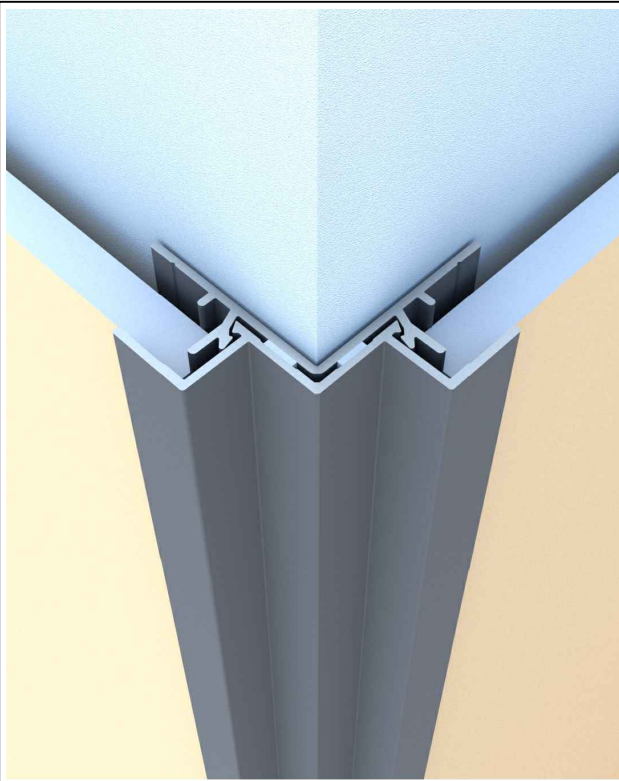
DESCRIPTION			
EZ 10 HORIZONTAL BASE B STARTER 5/16" TRIM			
	SCALE	NTS	DRAWING NUMBER
	DATE	NOV2023	EZ10.1
	DRWN BY	HJ/DDG	




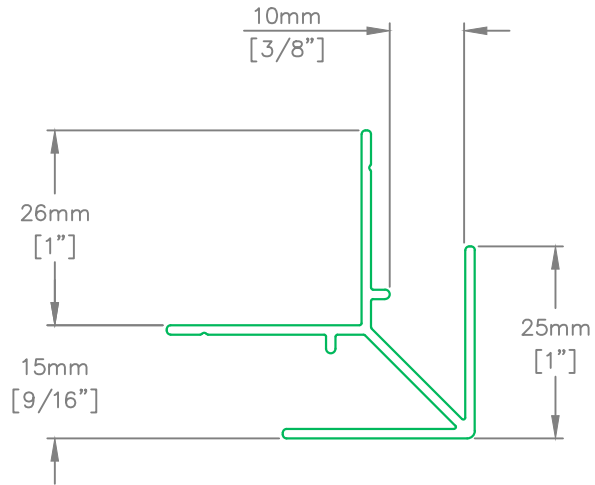
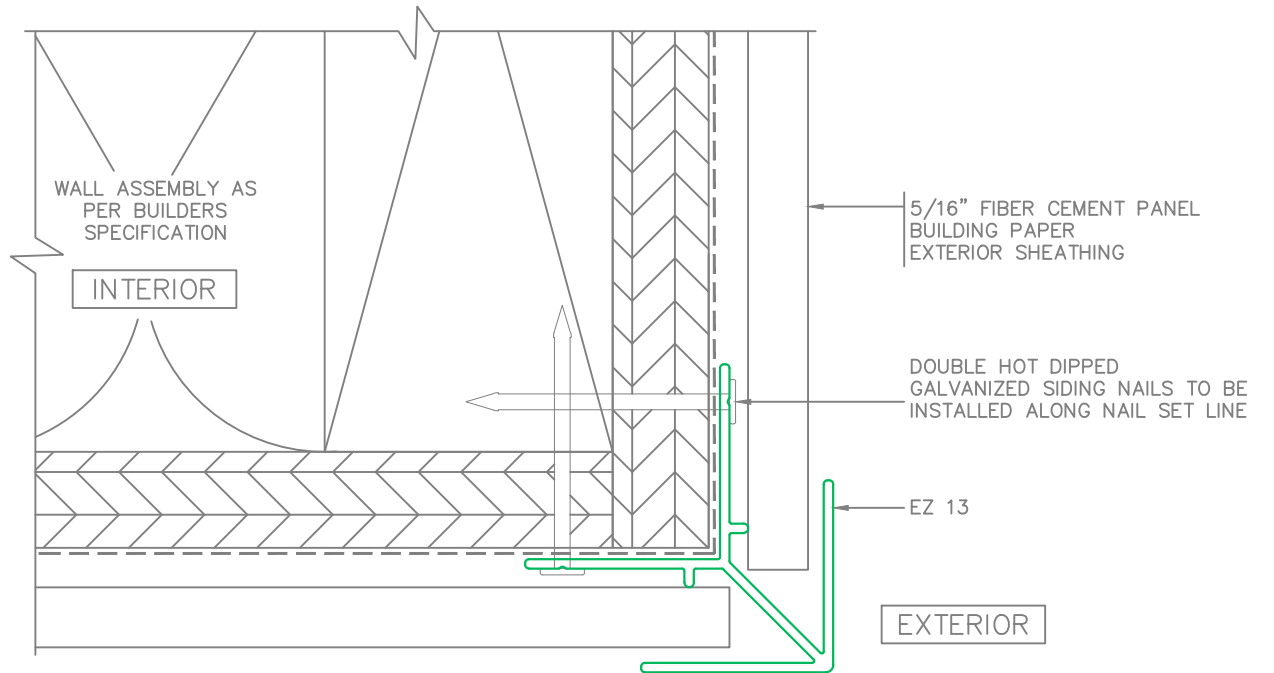
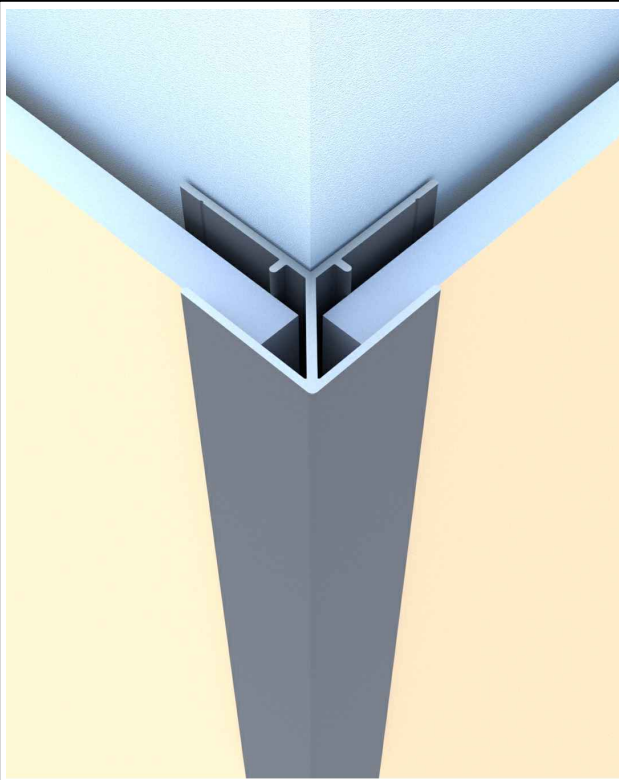
DESCRIPTION			
EZ 10 HORIZONTAL BASE B SOFFIT & FASCIA 5/16" TRIM			
	SCALE	NTS	DRAWING NUMBER
	DATE	NOV2023	EZ10.2
	DRWN BY	HJ/DDG	




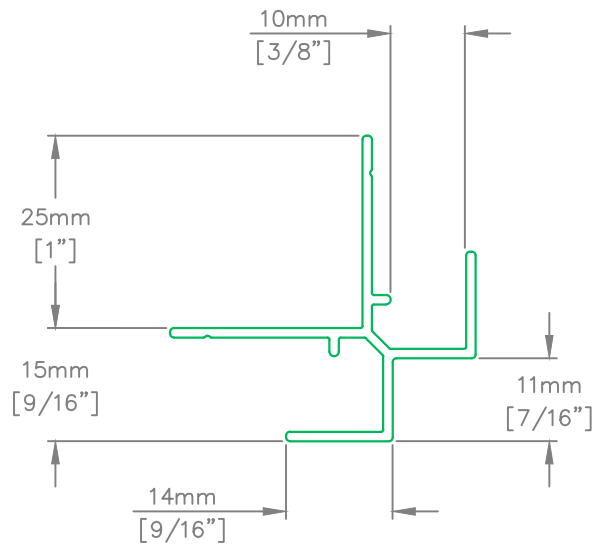
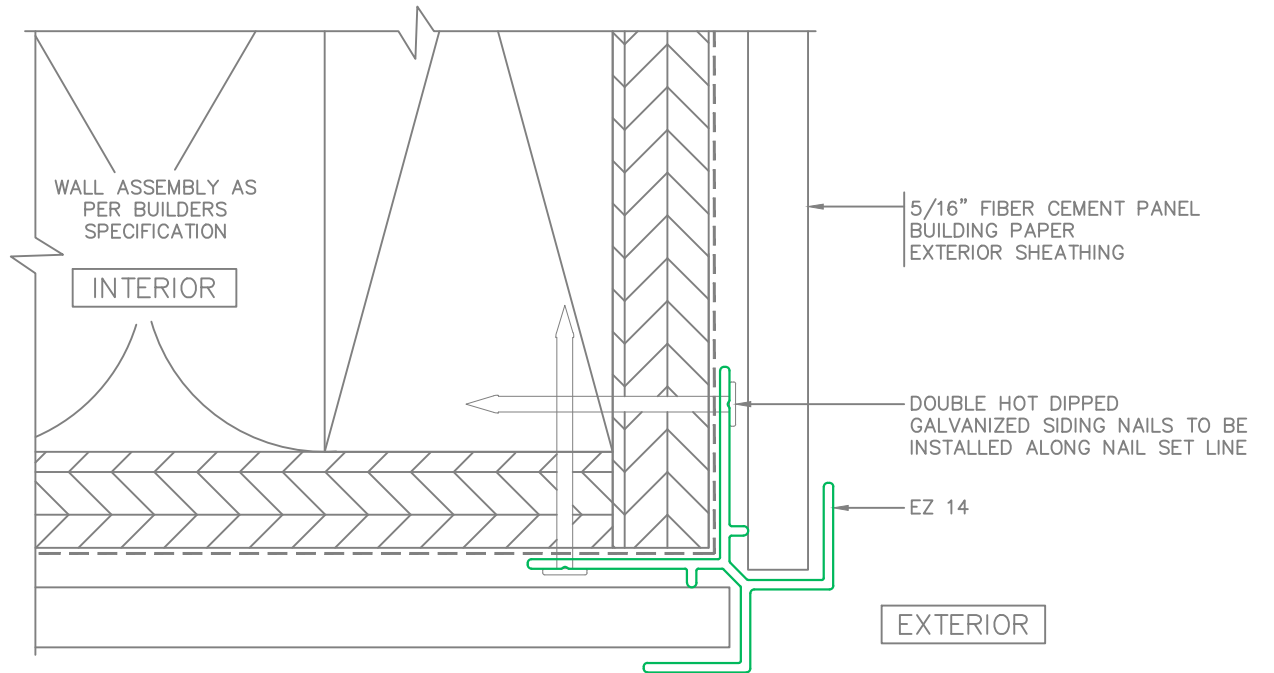
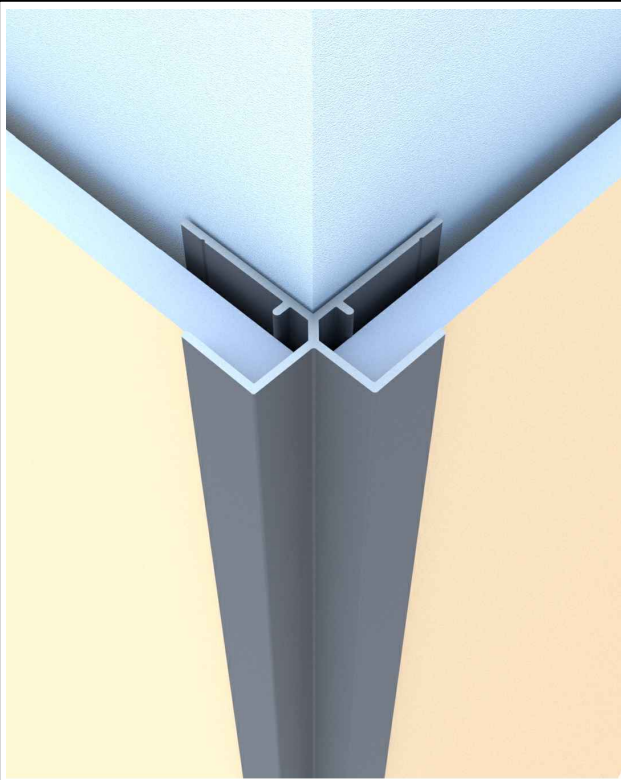
DESCRIPTION			
EZ 11 2-PIECE VERTICAL U 5/16" TO 3/4" TRANSITION TRIM			
	SCALE	NTS	DRAWING NUMBER
	DATE	NOV2023	EZ11.1
	DRWN BY	HJ/DDG	




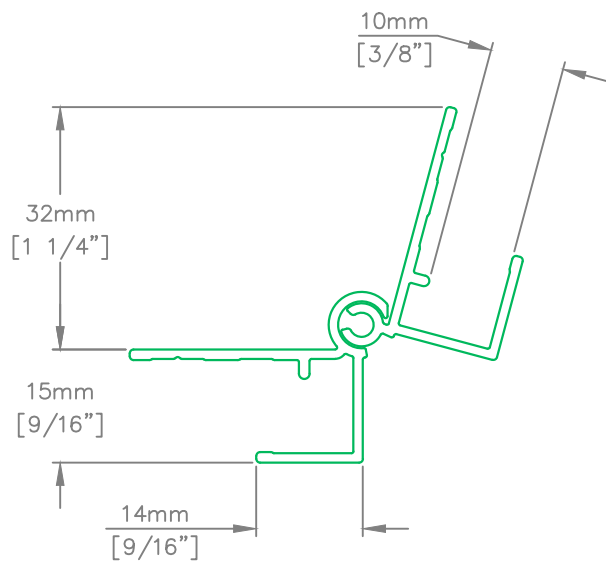
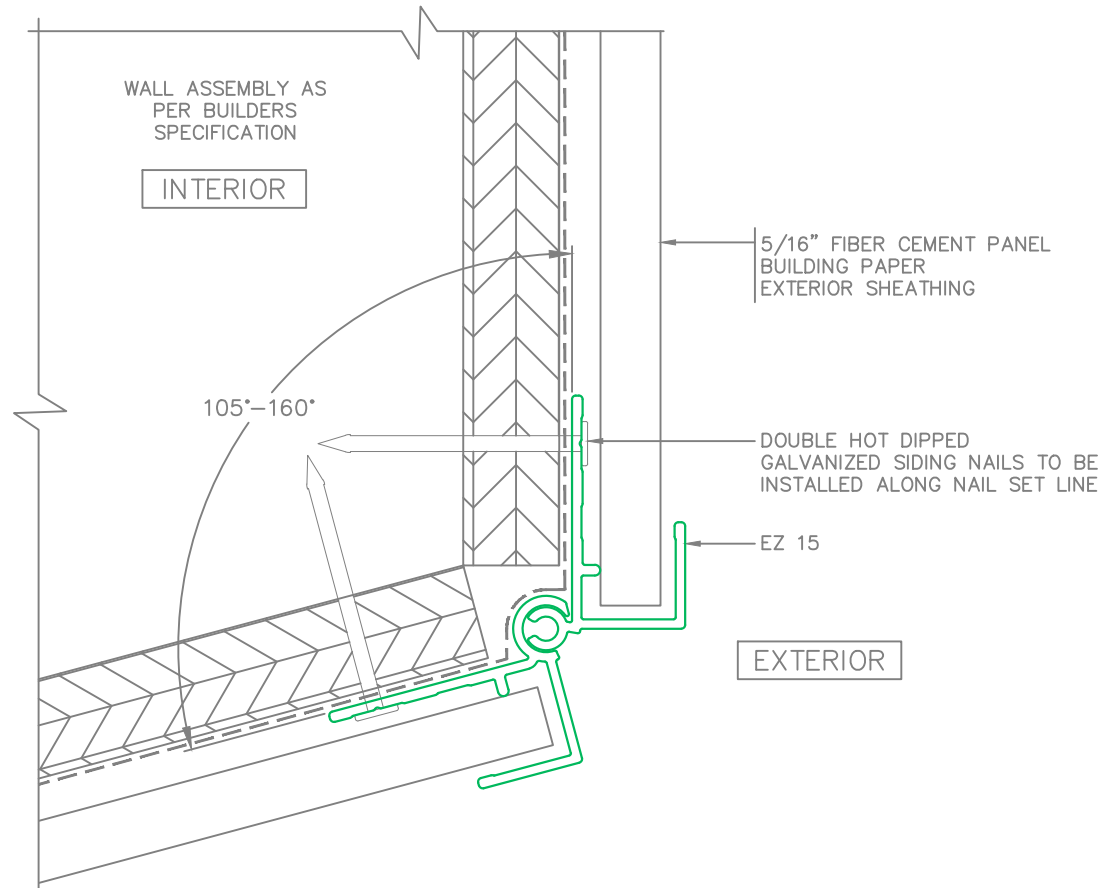
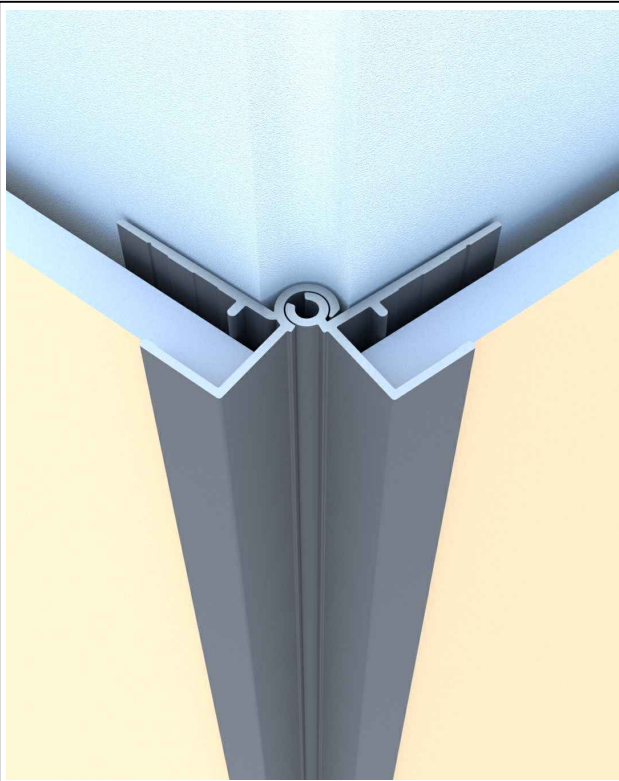
DESCRIPTION			
EZ 12 2-PIECE SQUARE OUTSIDE CORNER 5/16" TRIM			
	SCALE	NTS	DRAWING NUMBER
	DATE	NOV2023	EZ12.1
	DRWN BY	HJ/DDG	




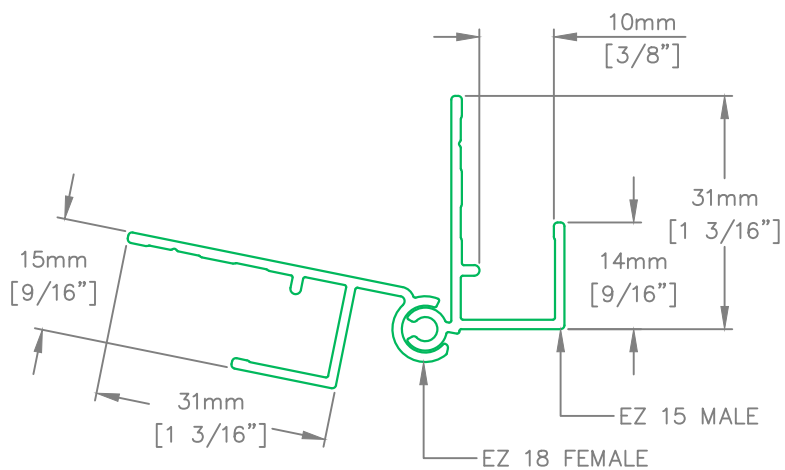
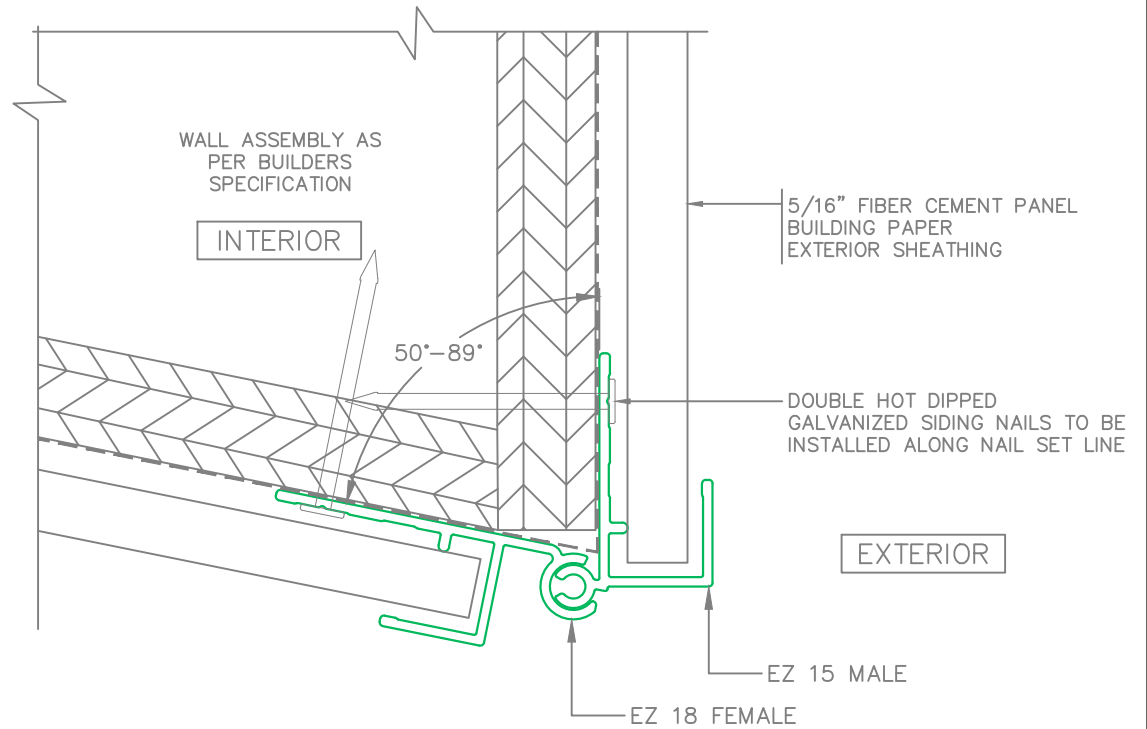
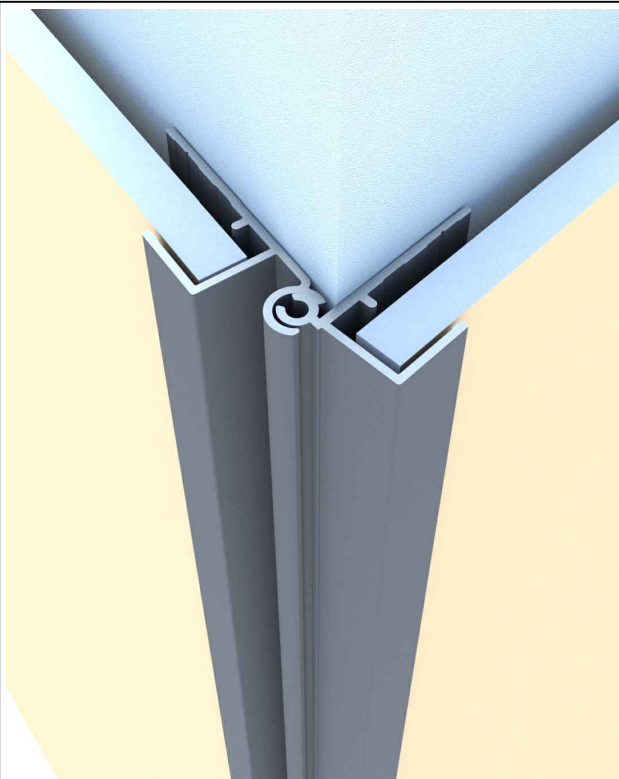
DESCRIPTION			
EZ 13 ARROW OUTSIDE CORNER 5/16" TRIM			
	SCALE	NTS	DRAWING NUMBER
	DATE	NOV2023	EZ13.1
	DRWN BY	HJ/DDG	




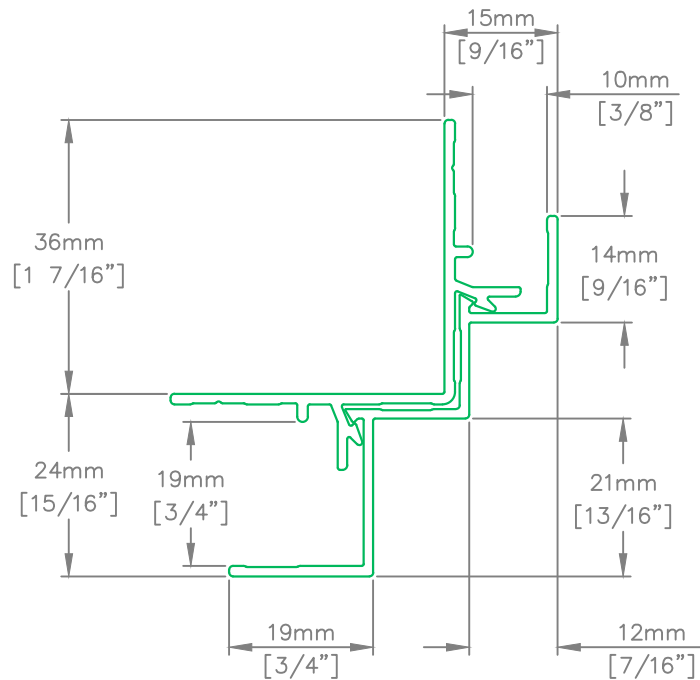
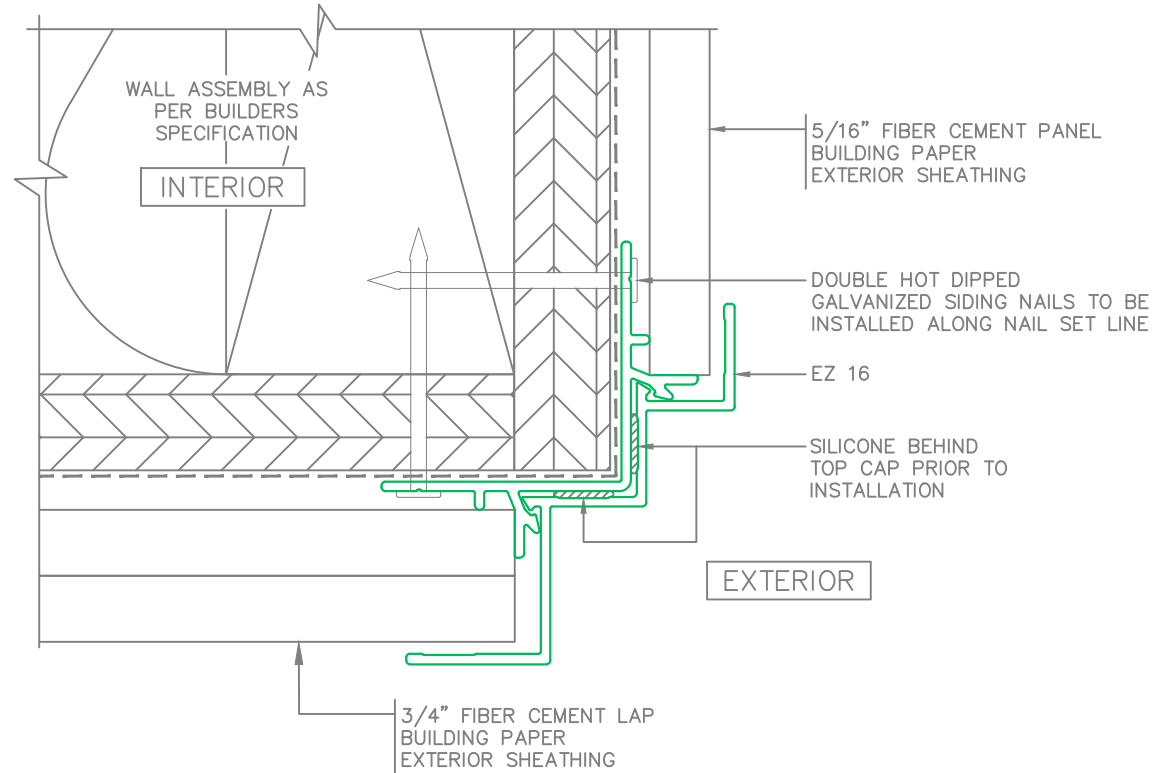
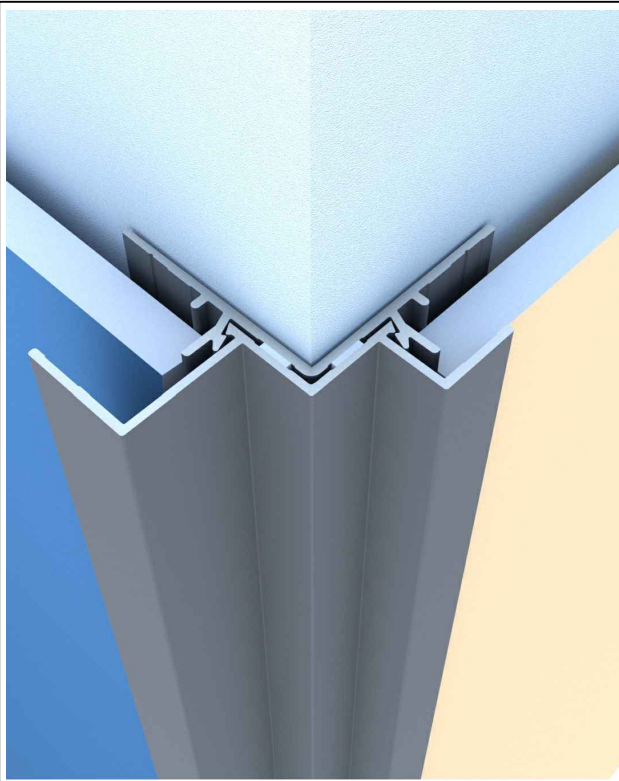
DESCRIPTION			
EZ 14 X OUTSIDE CORNER 5/16" TRIM			
	SCALE	NTS	DRAWING NUMBER
	DATE	NOV2023	EZ14.1
	DRWN BY	HJ/DDG	




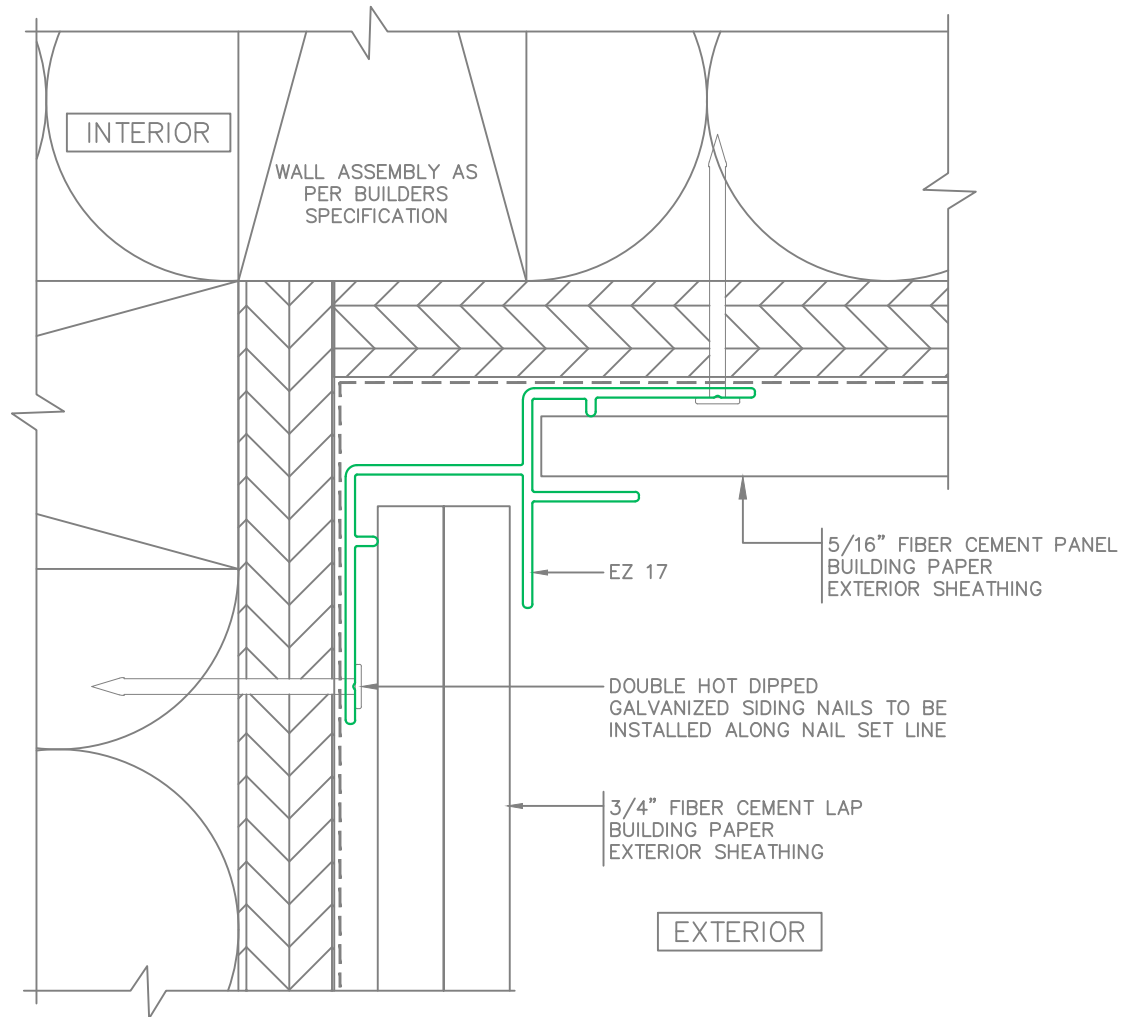
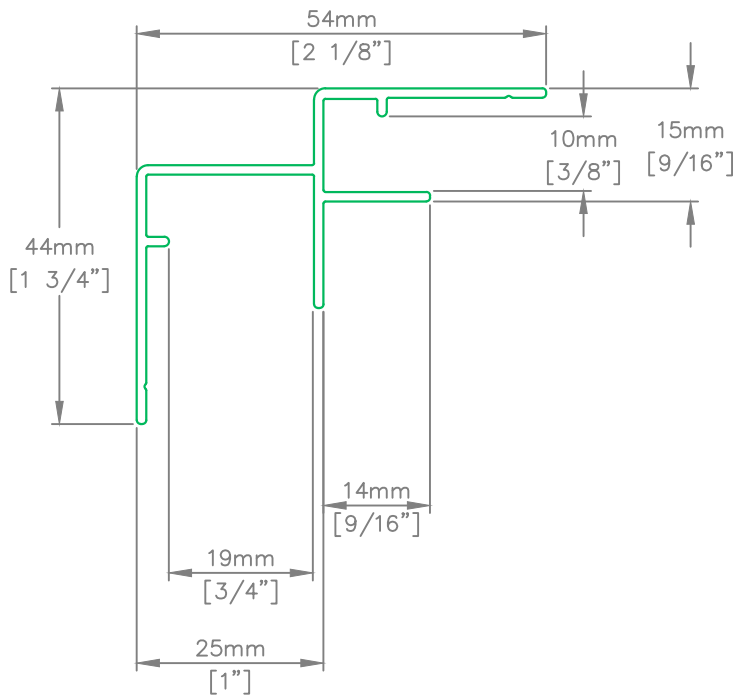
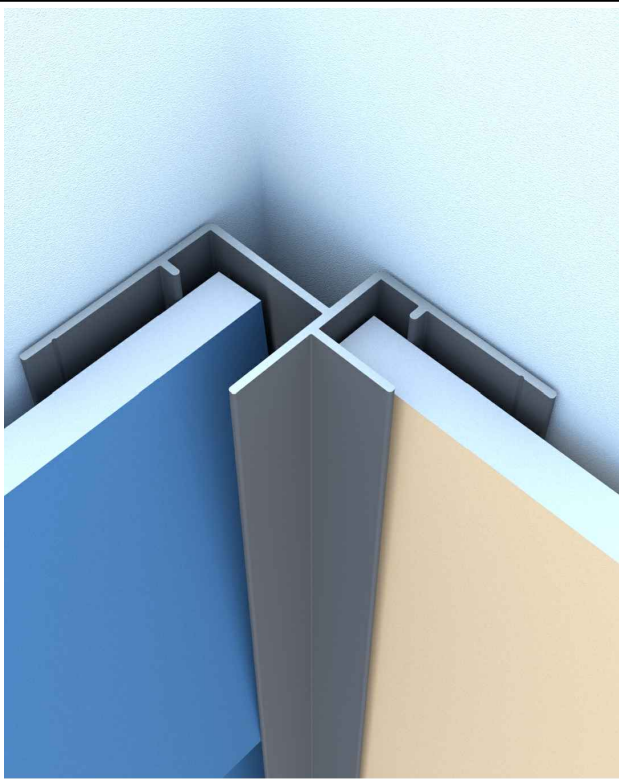
DESCRIPTION			
EZ 15 MULTI-ANGLE (105°-160°) OUTSIDE CORNER 5/16" TRIM			
	SCALE	NTS	DRAWING NUMBER
	DATE	NOV2023	EZ15.1
	DRWN BY	HJ/DDG	



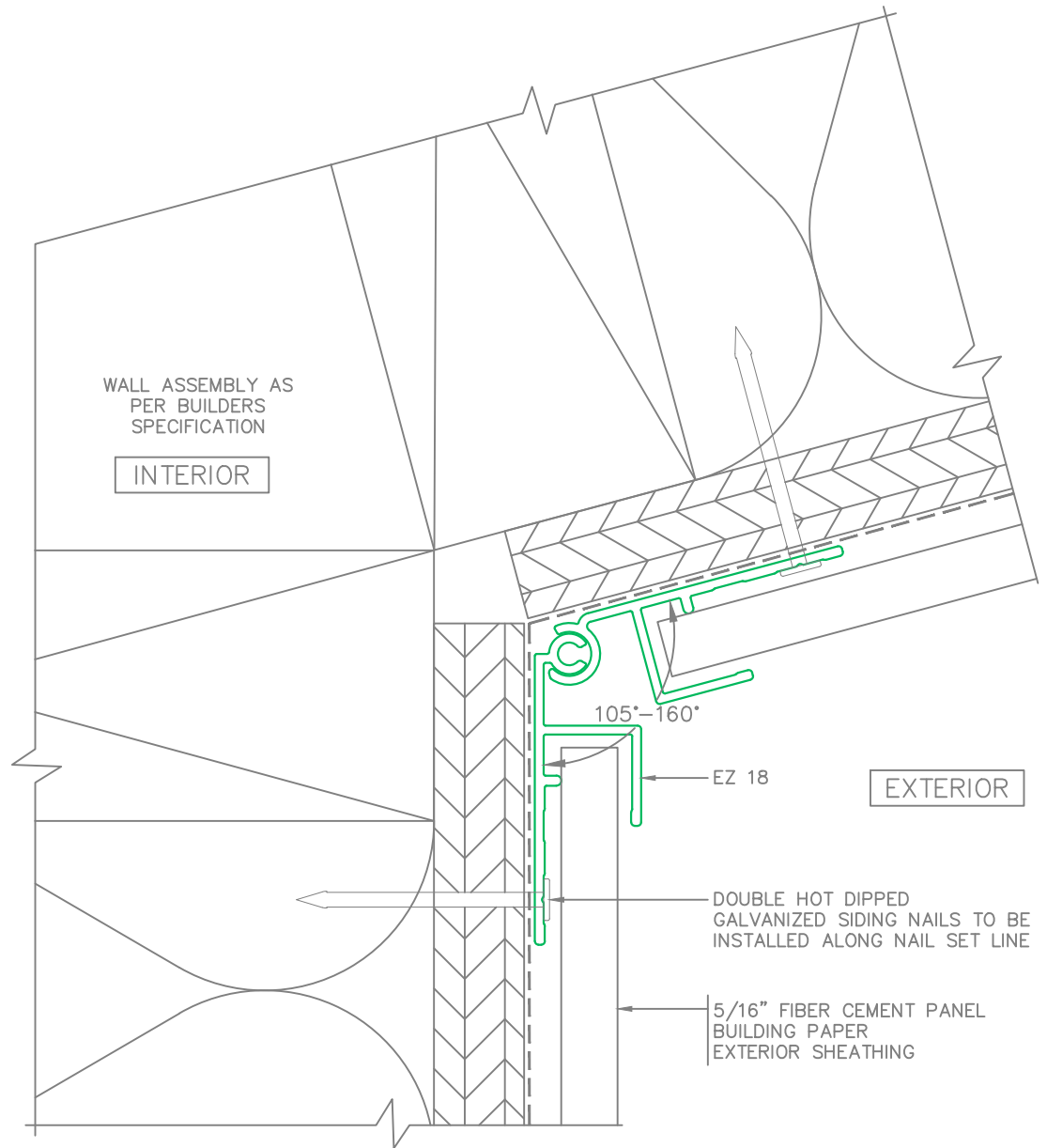
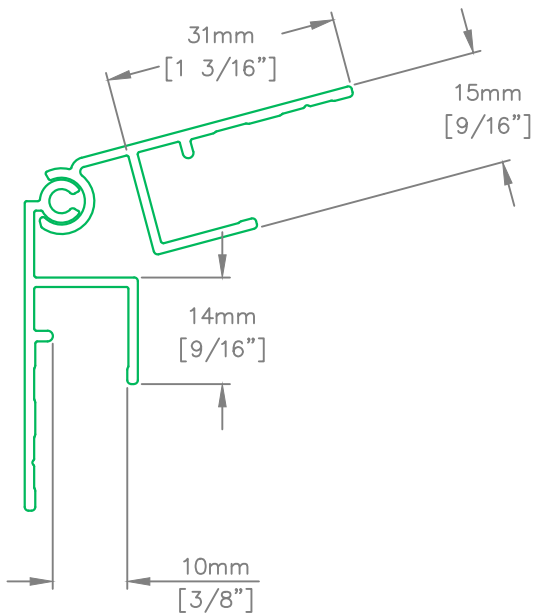
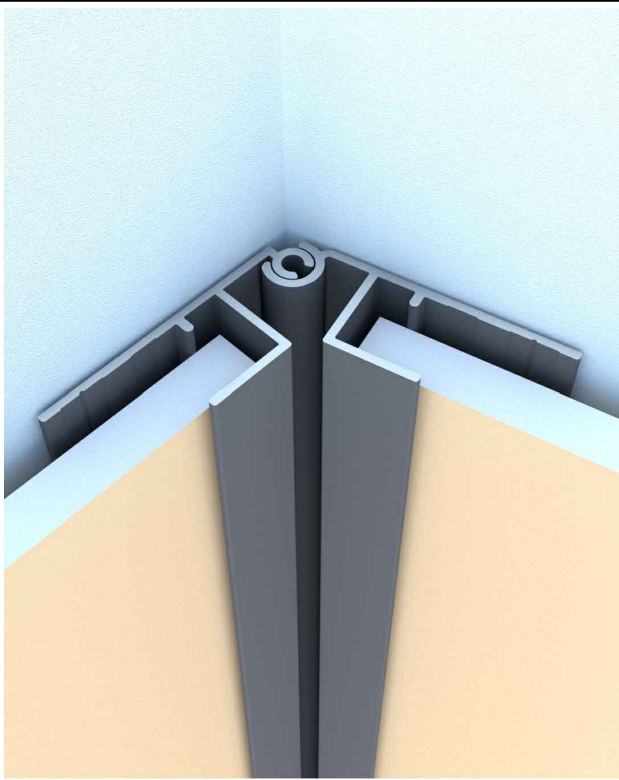
DESCRIPTION			
SPECIAL MULTI-ANGLE ACUTE (50°-89°) OUTSIDE CORNER 5/16" PANEL TRIM			
	SCALE	NTS	DRAWING NUMBER
	DATE	NOV2023	EZ15.2
	DRWN BY	HJ/DDG	



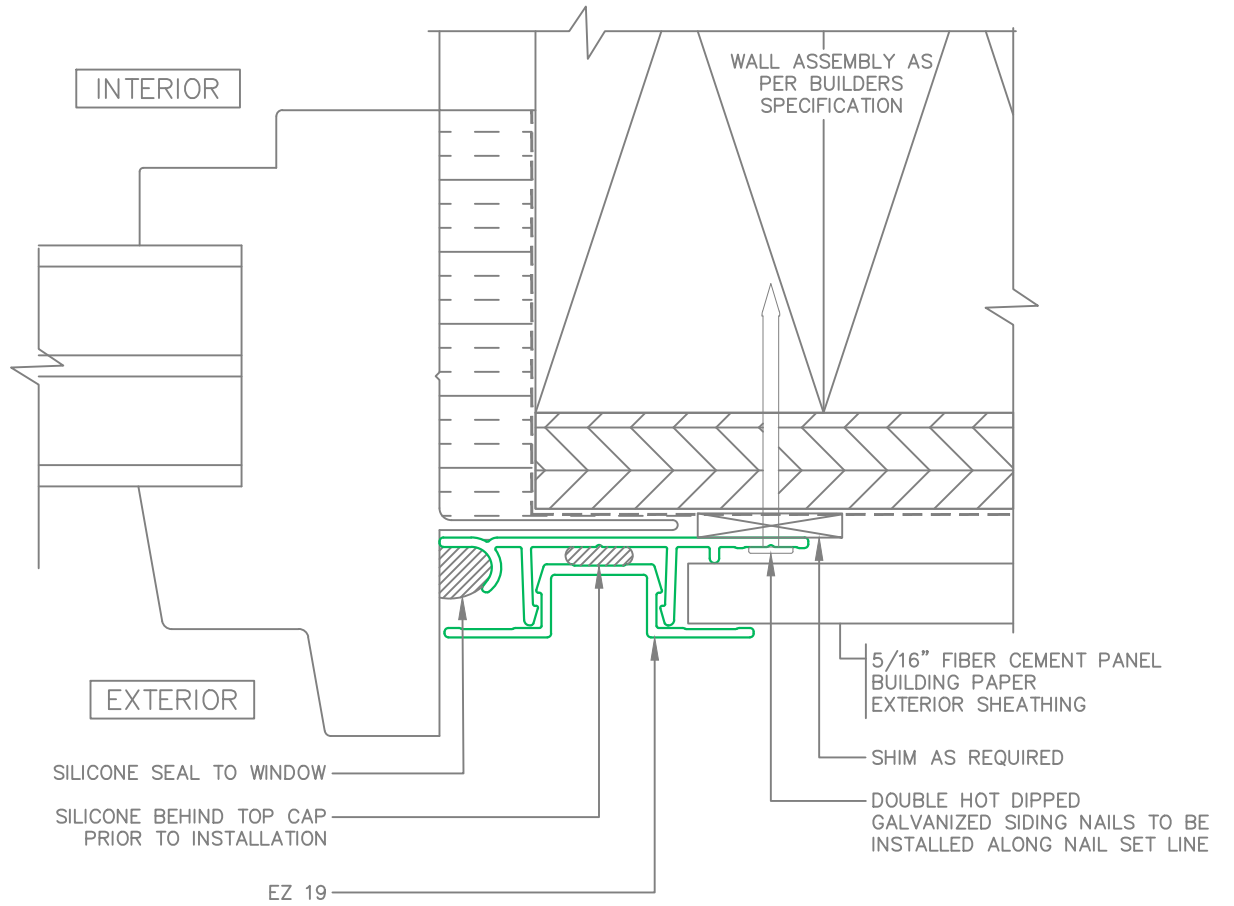
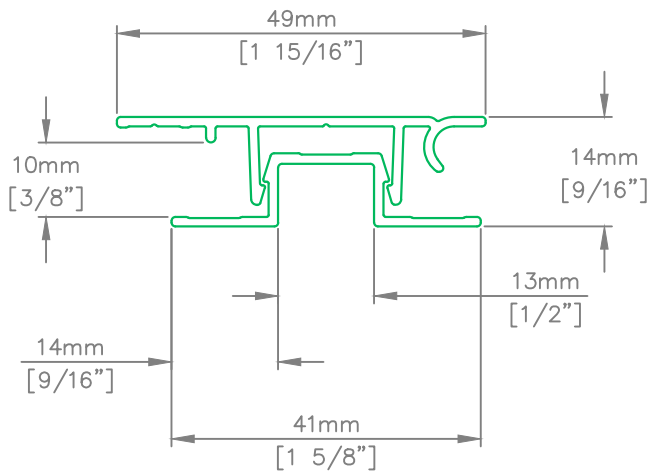
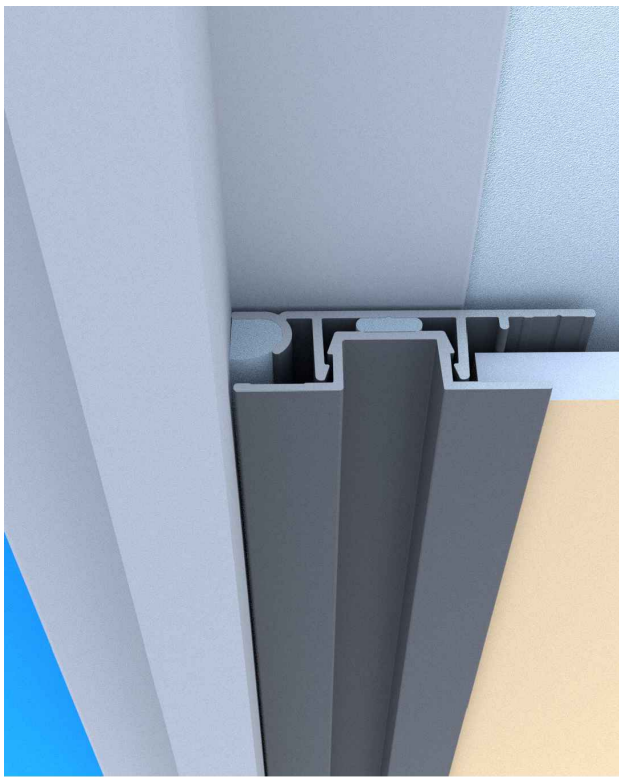
DESCRIPTION			
EZ 16 2-PIECE OUTSIDE CORNER 5/16" TO 3/4" TRANSITION TRIM			
	SCALE	NTS	DRAWING NUMBER
	DATE	NOV2023	EZ16.1
	DRWN BY	HJ/DDG	




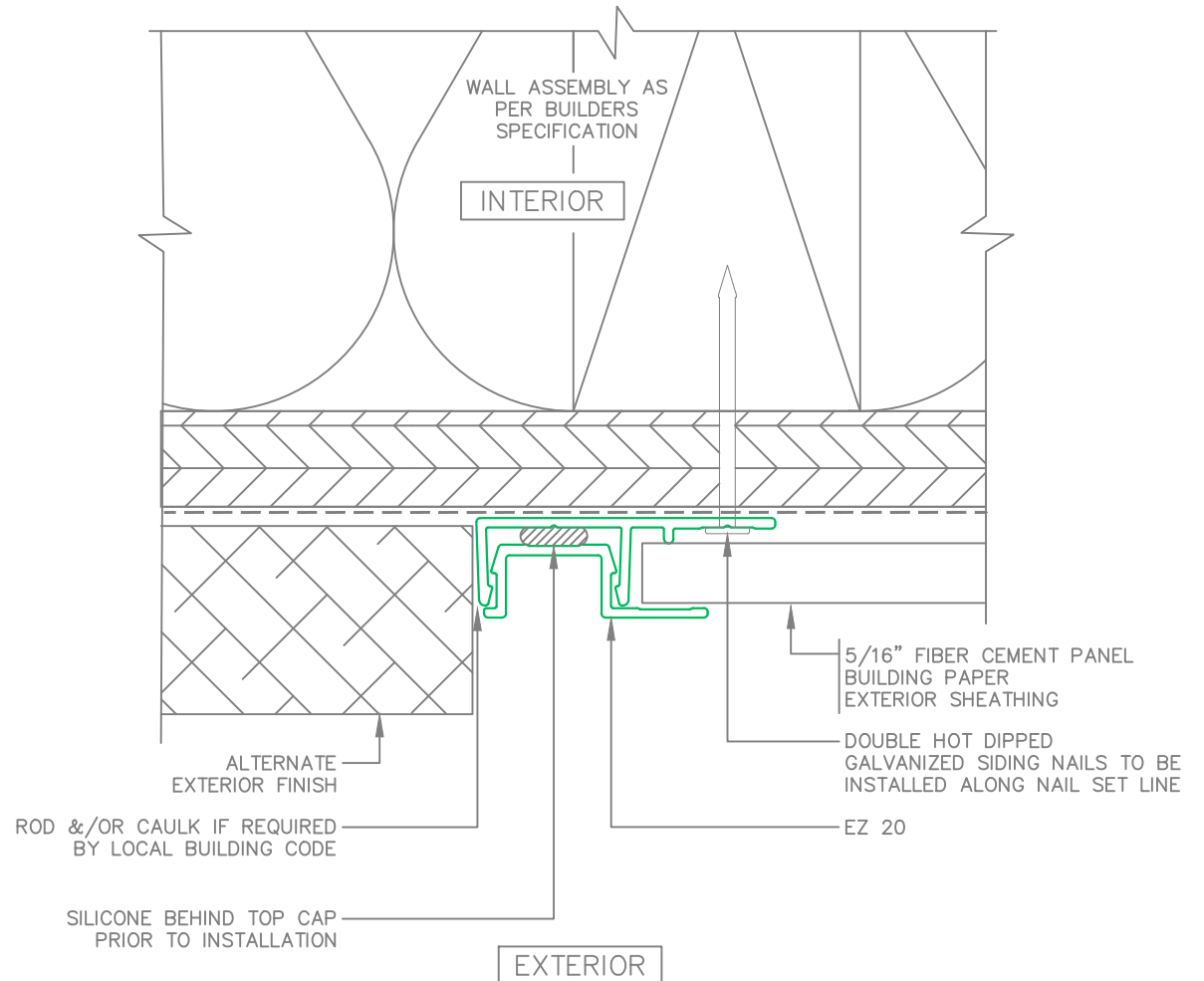
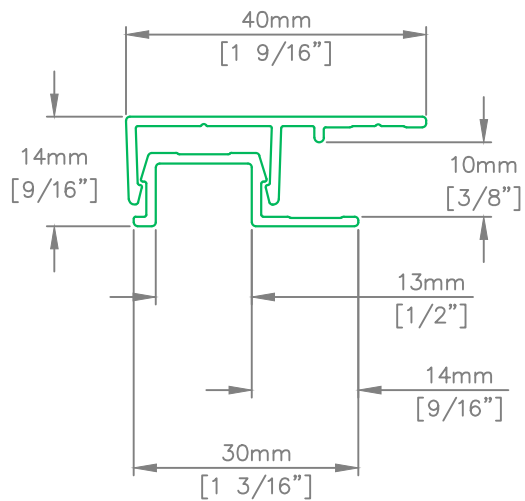
DESCRIPTION			
EZ 17 INSIDE CORNER 5/16" TO 3/4" TRANSITION TRIM			
	SCALE	NTS	DRAWING NUMBER
	DATE	NOV2023	EZ17.1
DRWN BY	HJ/DDG		



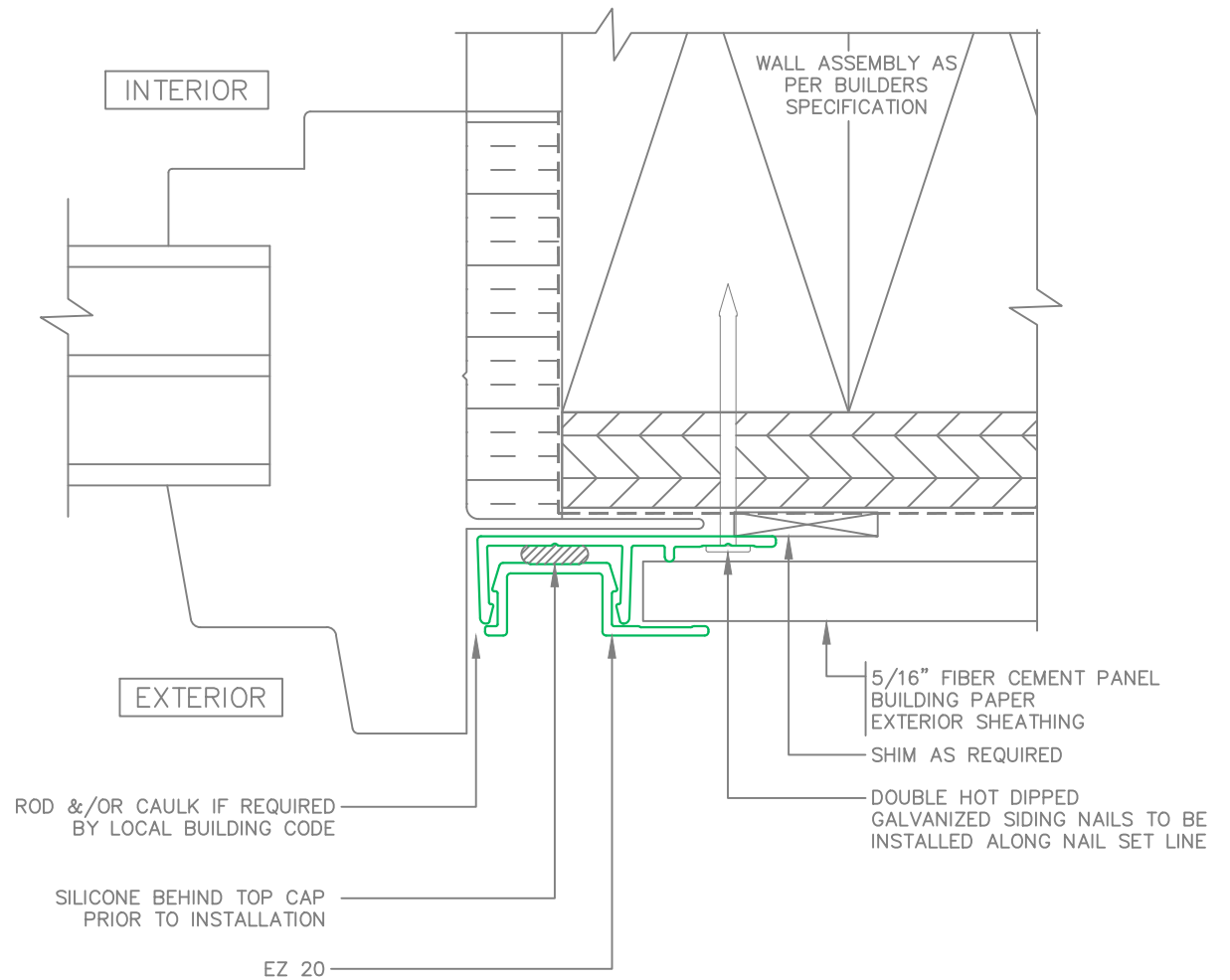
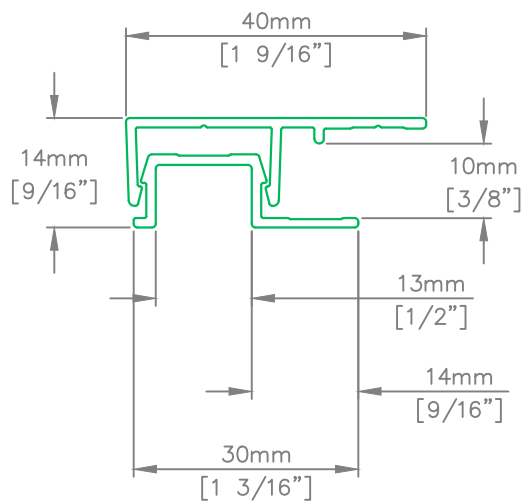
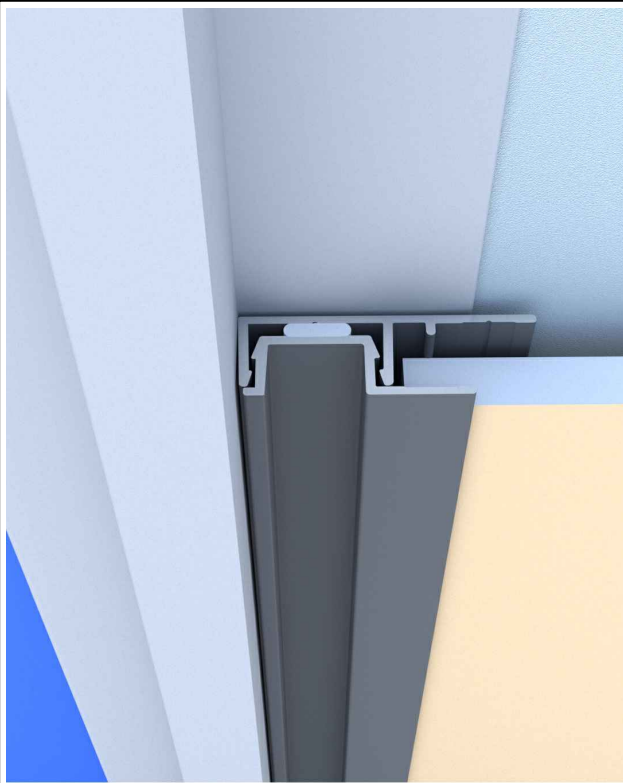
DESCRIPTION			
EZ 18 MULTI-ANGLE (105°-160°) INSIDE CORNER 5/16" TRIM			
	SCALE	NTS	DRAWING NUMBER
	DATE	NOV2023	EZ18.1
	DRWN BY	HJ/DDG	




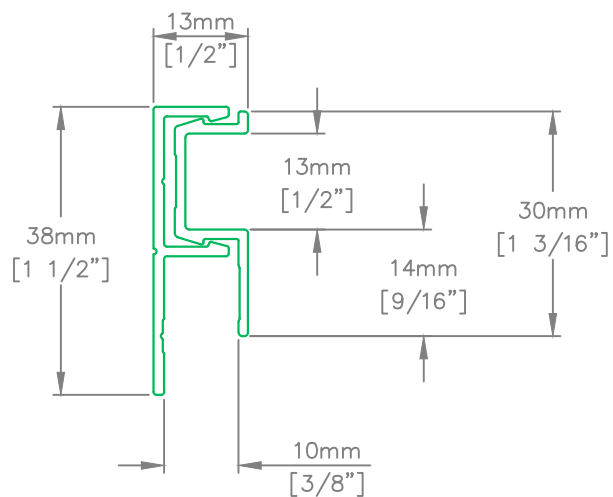
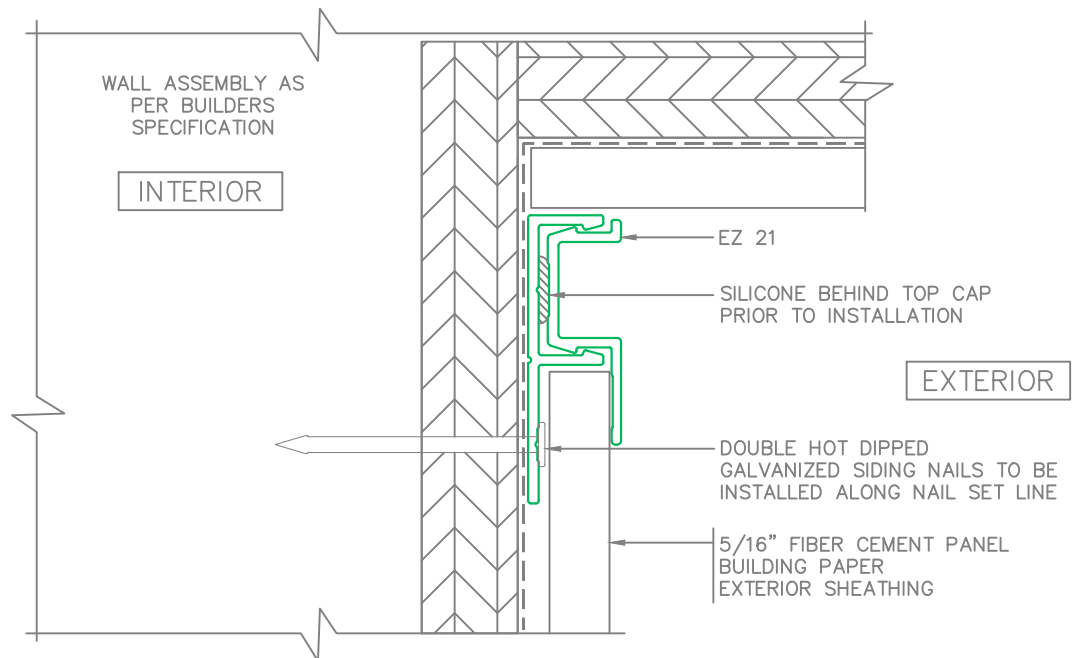
DESCRIPTION			
EZ 19 2-PIECE WINDOW JAMB 5/16" TRIM			
	SCALE	NTS	DRAWING NUMBER
	DATE	NOV2023	EZ19.1
	DRWN BY	HJ/DDG	




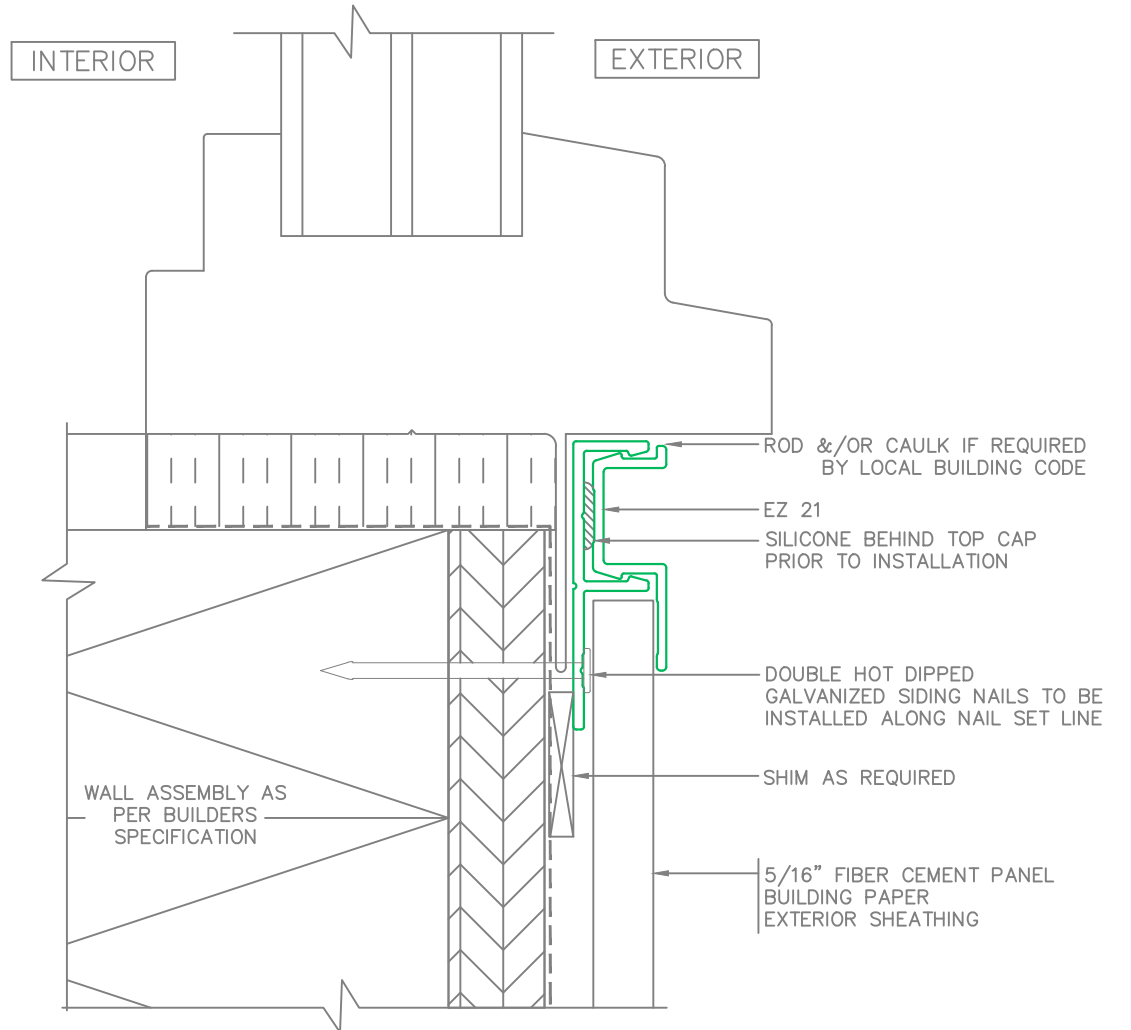
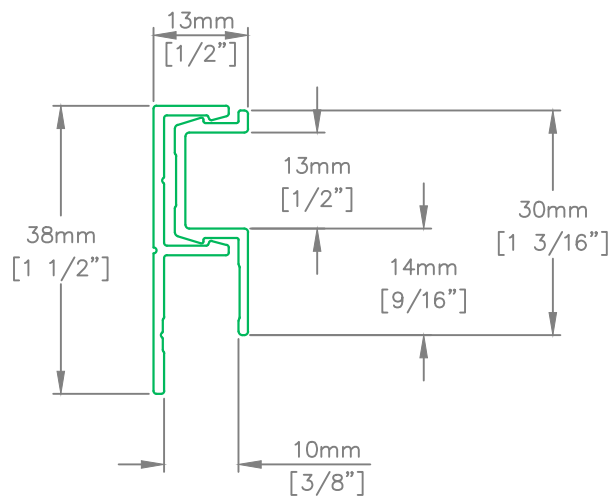
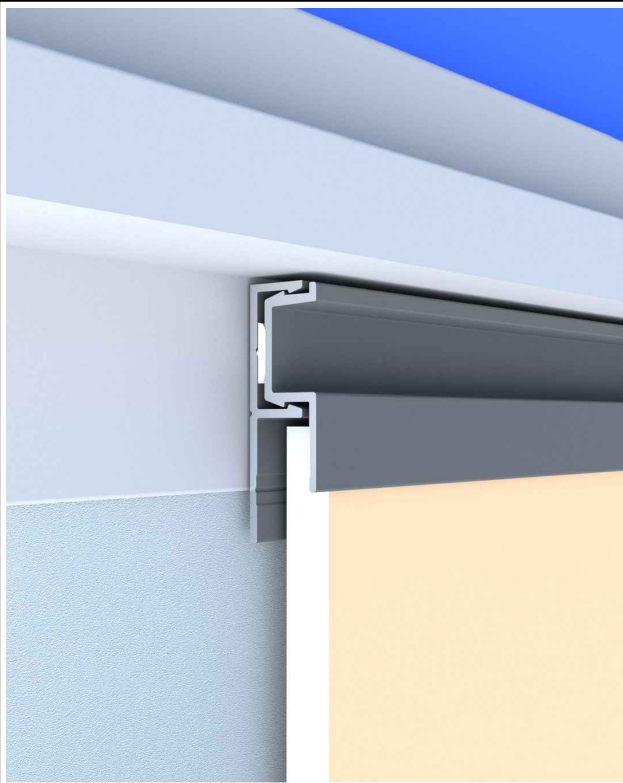
DESCRIPTION			
EZ 20 2-PIECE GENERAL J VERTICAL TERMINATION 5/16" TRIM			
	SCALE	NTS	DRAWING NUMBER
	DATE	NOV2023	EZ20.1
	DRWN BY	HJ/DDG	



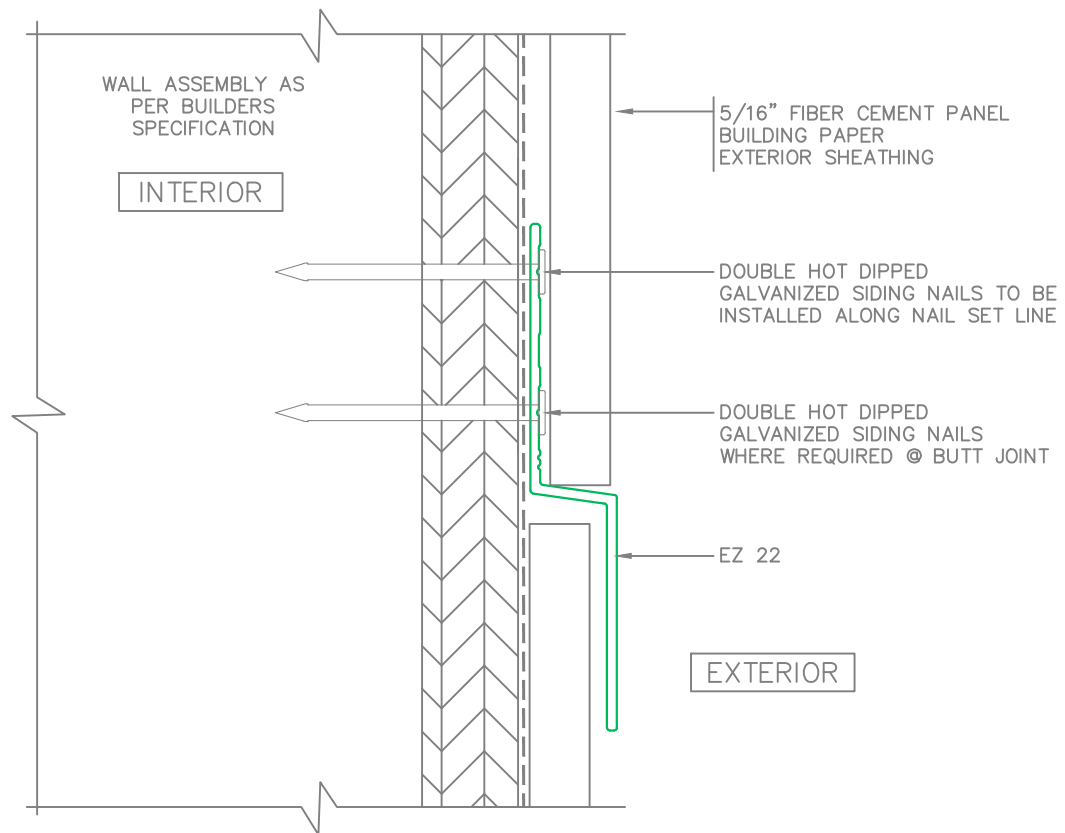
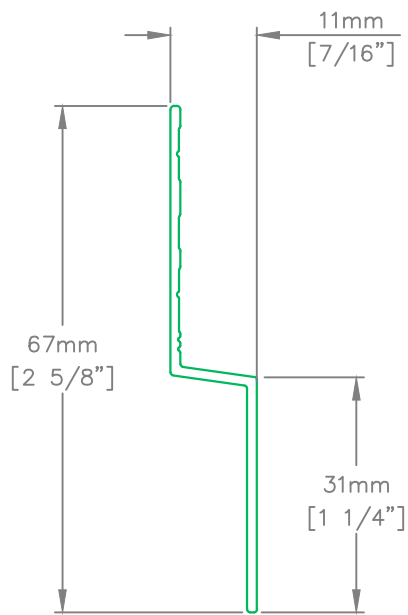
DESCRIPTION			
EZ 20 2-PIECE GENERAL J WINDOW JAMB 5/16" TRIM			
	SCALE	NTS	DRAWING NUMBER
	DATE	NOV2023	EZ20.2
	DRWN BY	HJ/DDG	



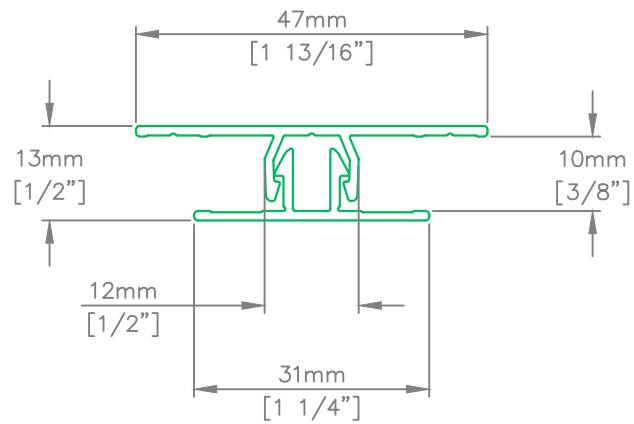
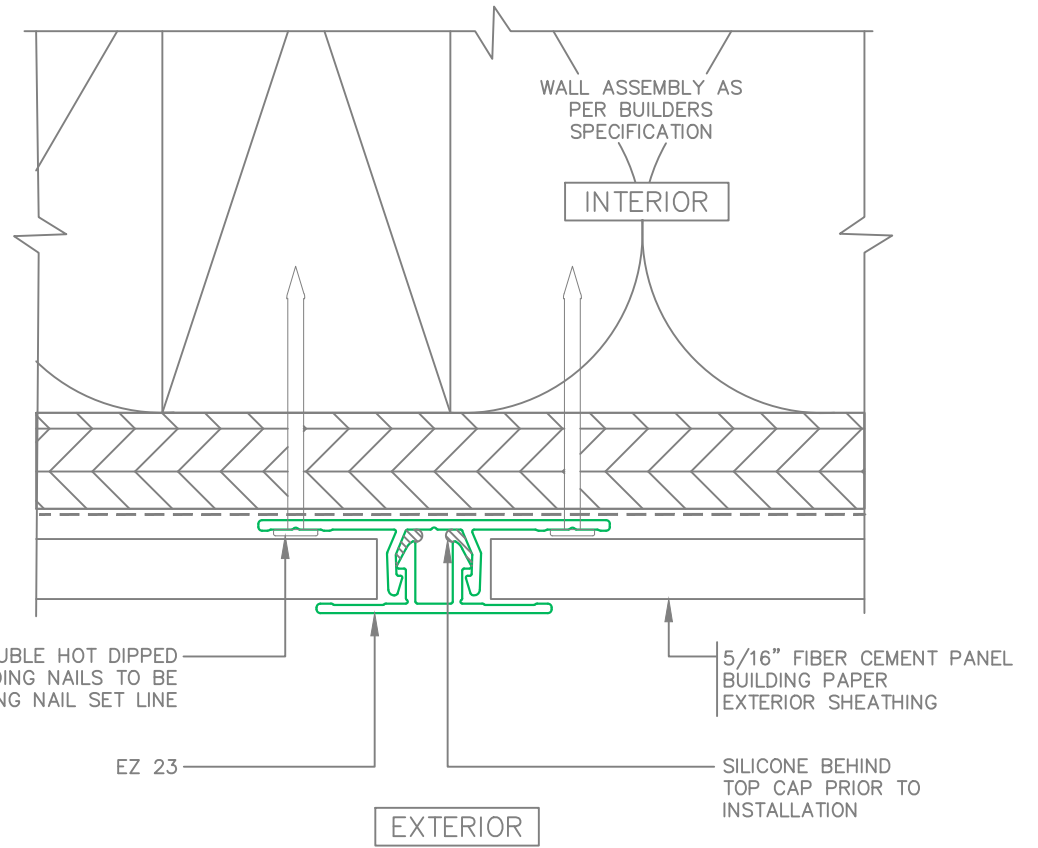
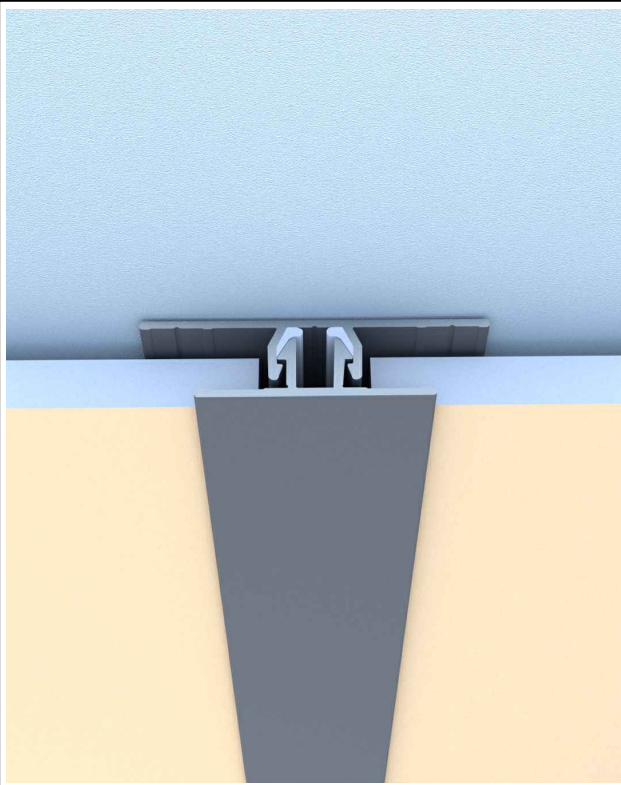
DESCRIPTION			
EZ 21 2-PIECE SOFFIT J 5/16" TRIM			
	SCALE	NTS	DRAWING NUMBER
	DATE	NOV2023	EZ21.1
	DRWN BY	HJ/DDG	




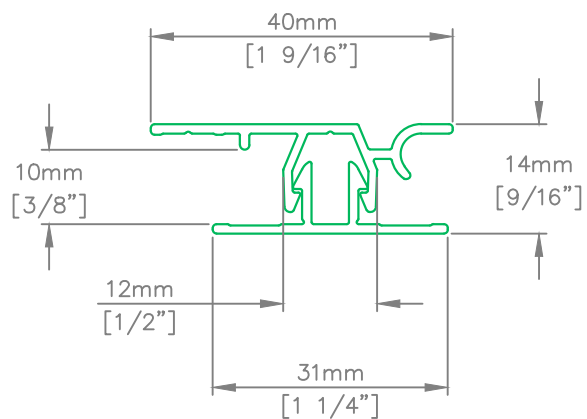
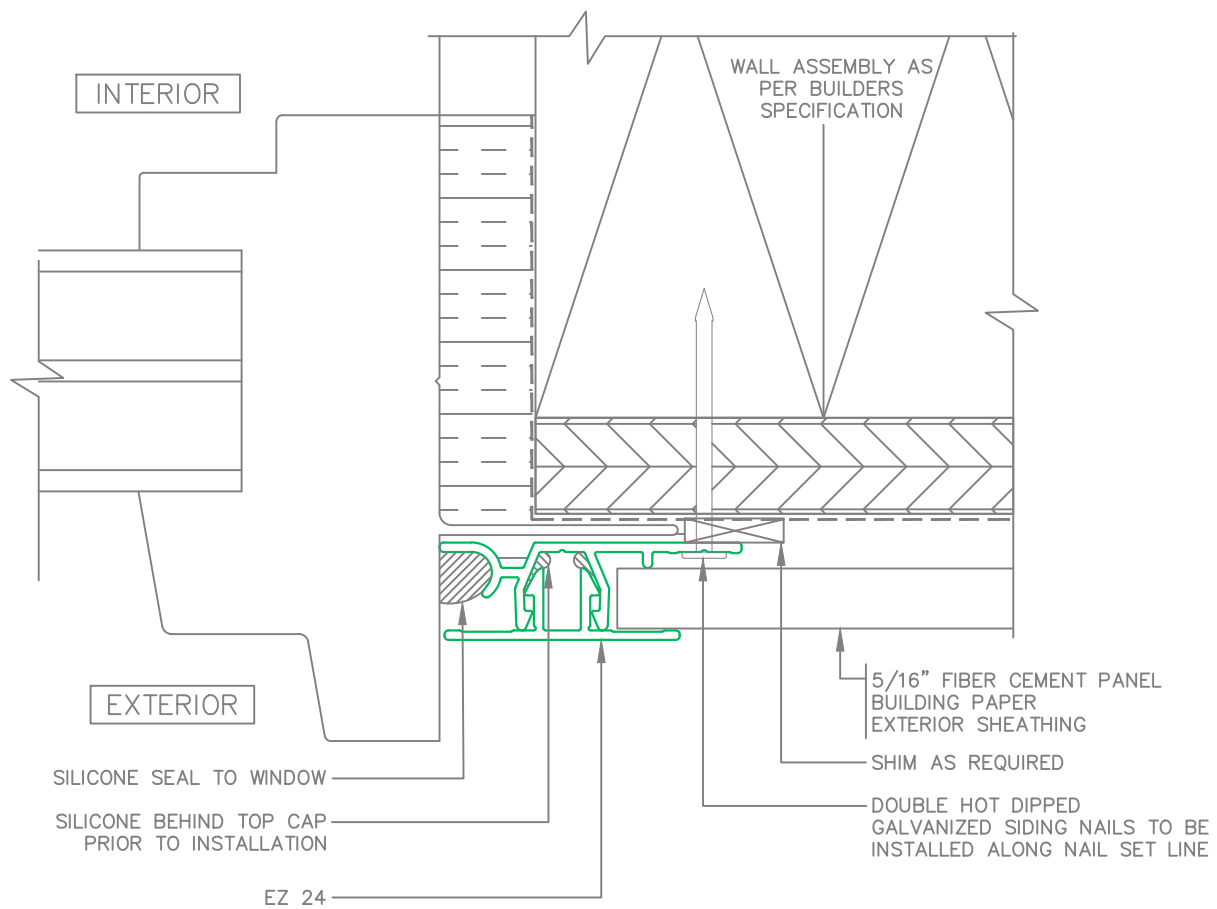
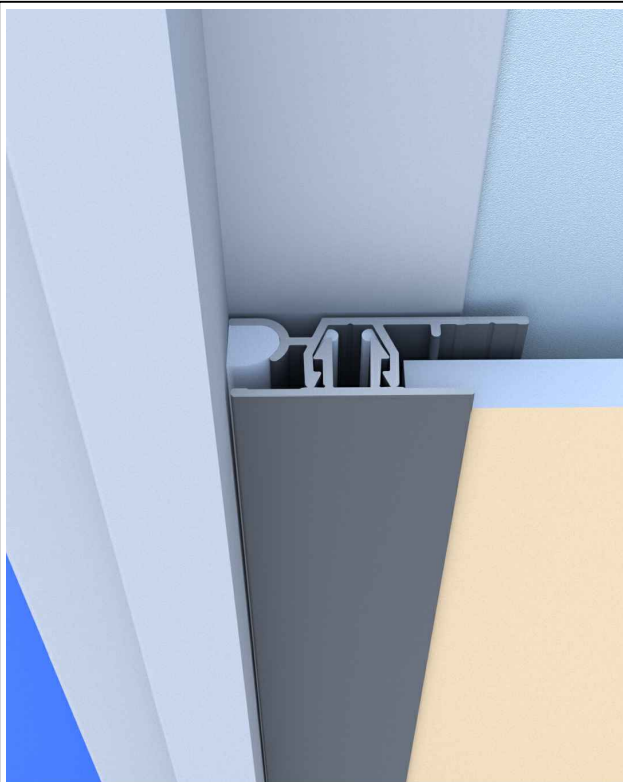
DESCRIPTION			
EZ 21 2-PIECE SOFFIT J @ WINDOW SILL 5/16" TRIM			
	SCALE	NTS	DRAWING NUMBER
	DATE	NOV2023	EZ21.2
	DRWN BY	HJ/DDG	



DESCRIPTION			
EZ 22 HORIZONTAL SLT Z 5/16" TRIM			
	SCALE	NTS	DRAWING NUMBER
	DATE	NOV2023	EZ22.1
	DRWN BY	HJ/DDG	



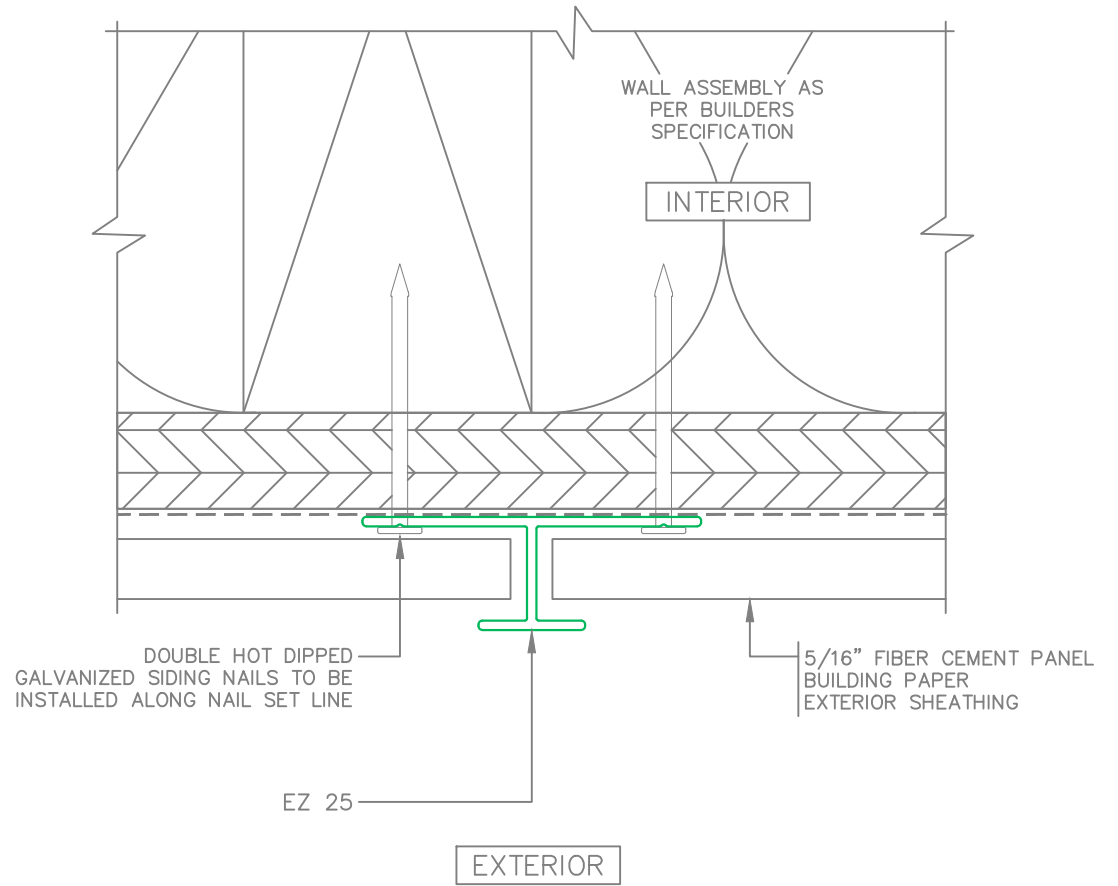
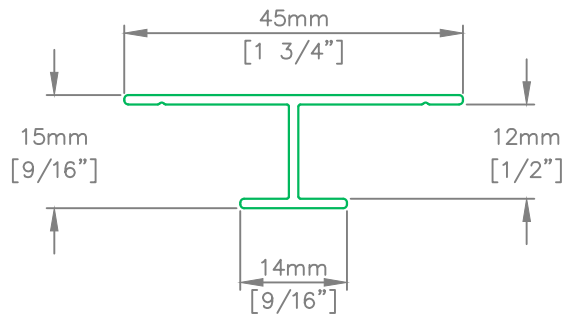
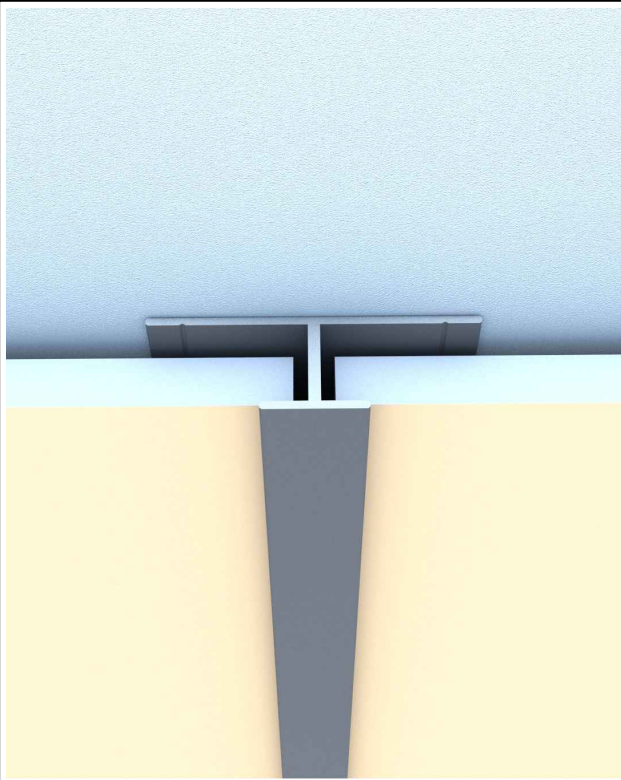
DESCRIPTION			
EZ 23 2-PIECE VERTICAL SLT 5/16" TRIM			
	SCALE	NTS	DRAWING NUMBER
	DATE	NOV2023	EZ23.1
	DRWN BY	HJ/DDG	




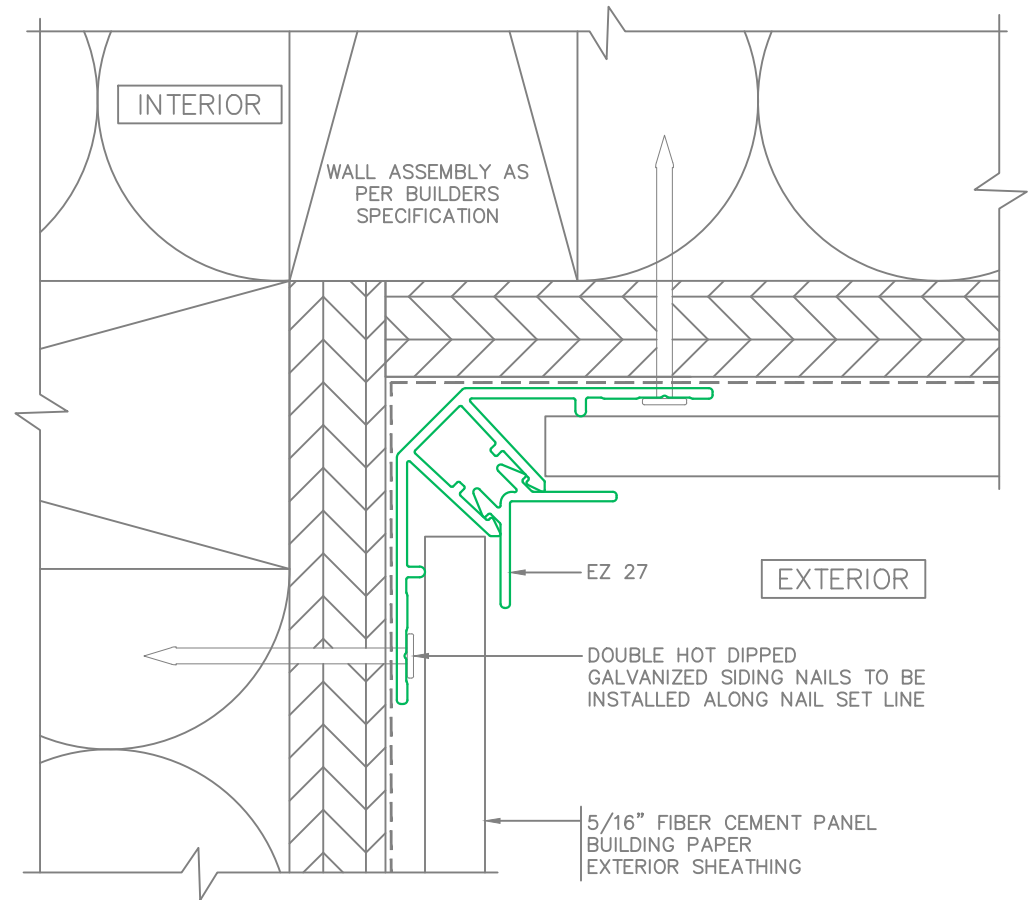
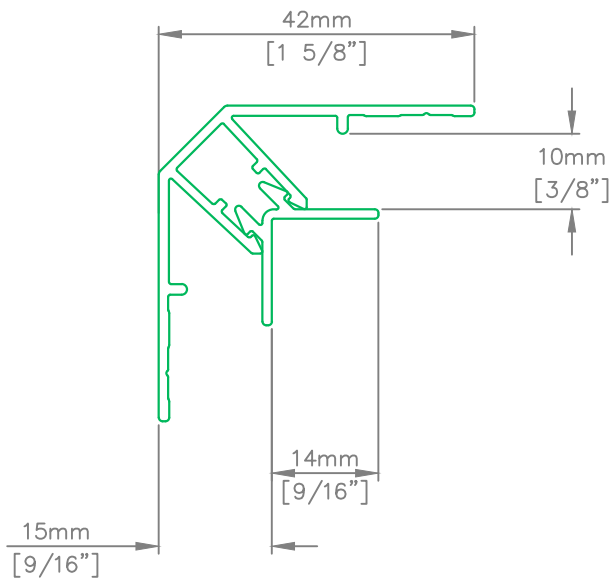
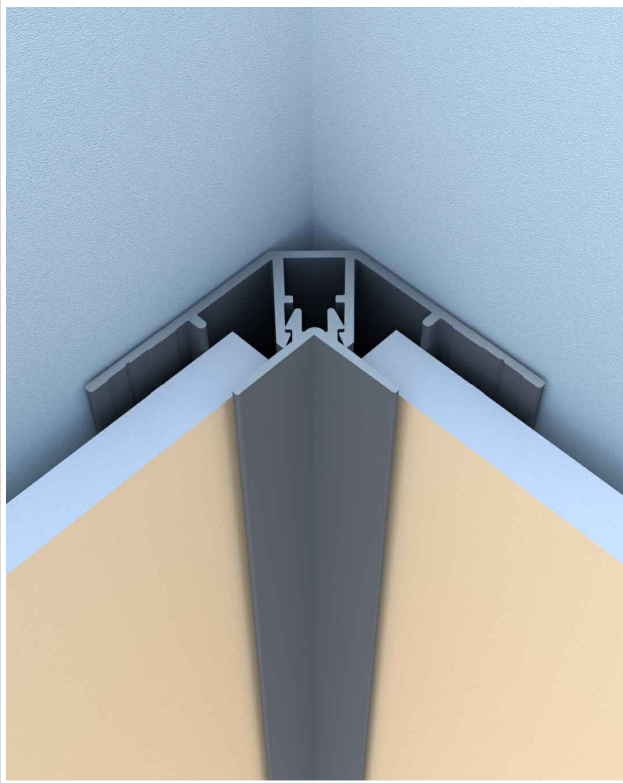
DESCRIPTION


EZ 24 2-PIECE WINDOW SLT
5/16" TRIM

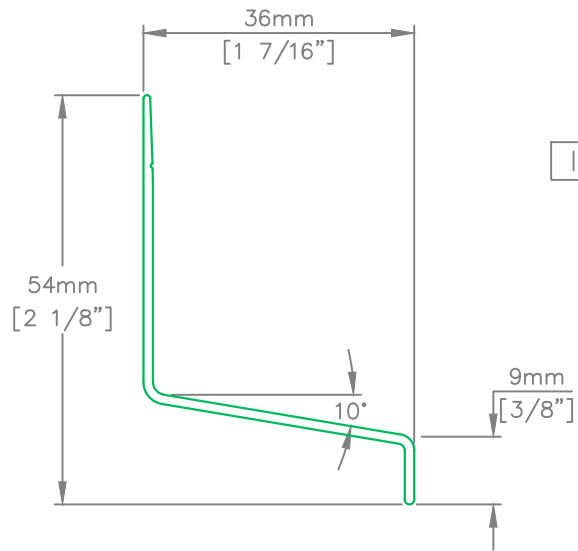
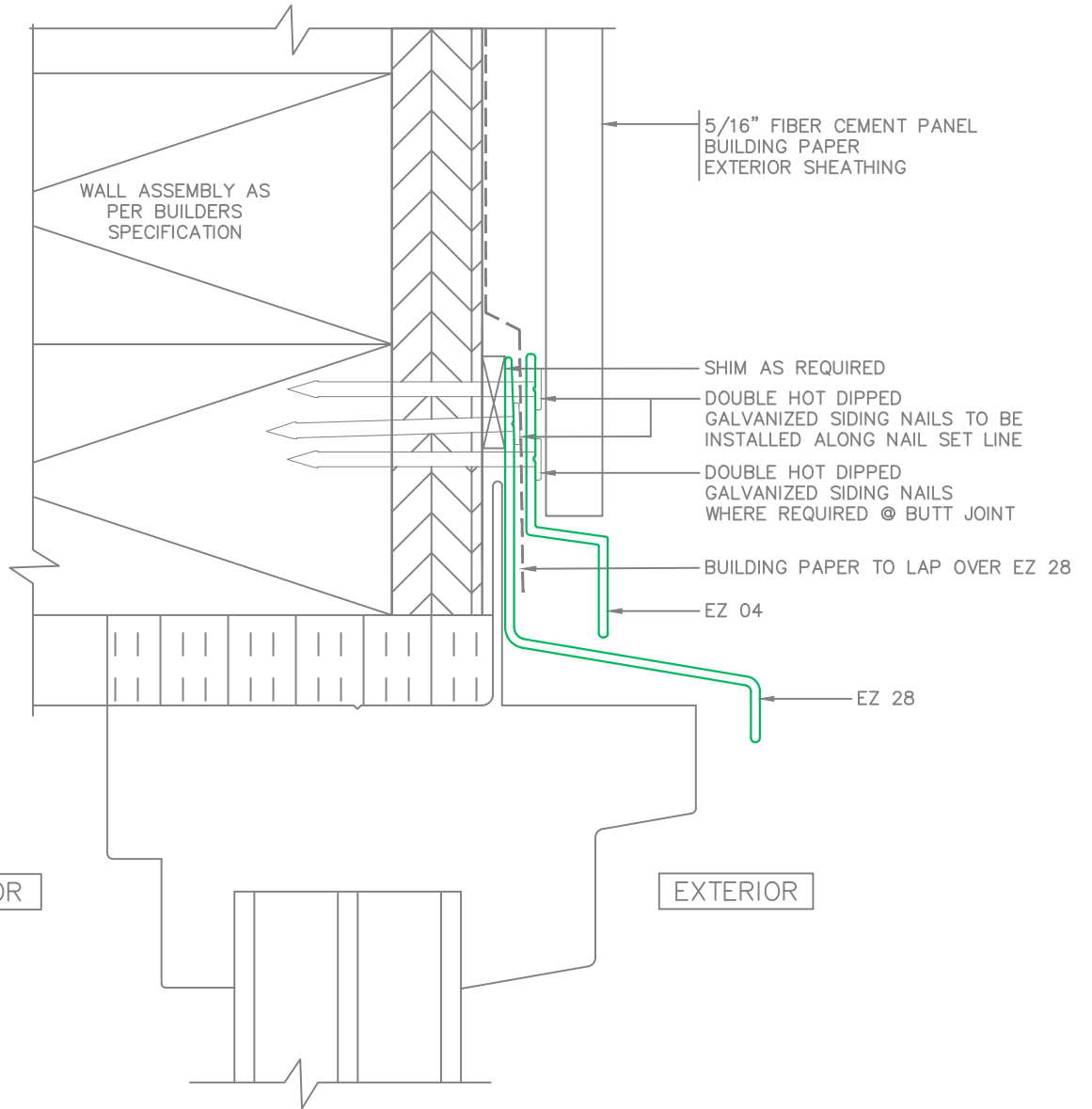
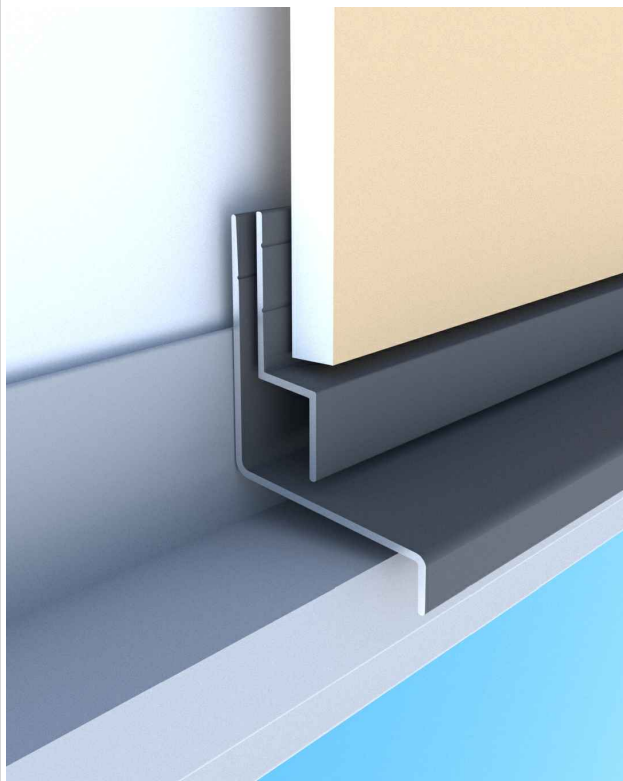
	SCALE	NTS	DRAWING NUMBER
	DATE	NOV2023	EZ24.1
	DRWN BY	HJ/DDG	




DESCRIPTION			
EZ 25 VERTICAL H 5/16" TRIM			
	SCALE	NTS	DRAWING NUMBER
	DATE	NOV2023	EZ25.1
	DRWN BY	HJ/DDG	

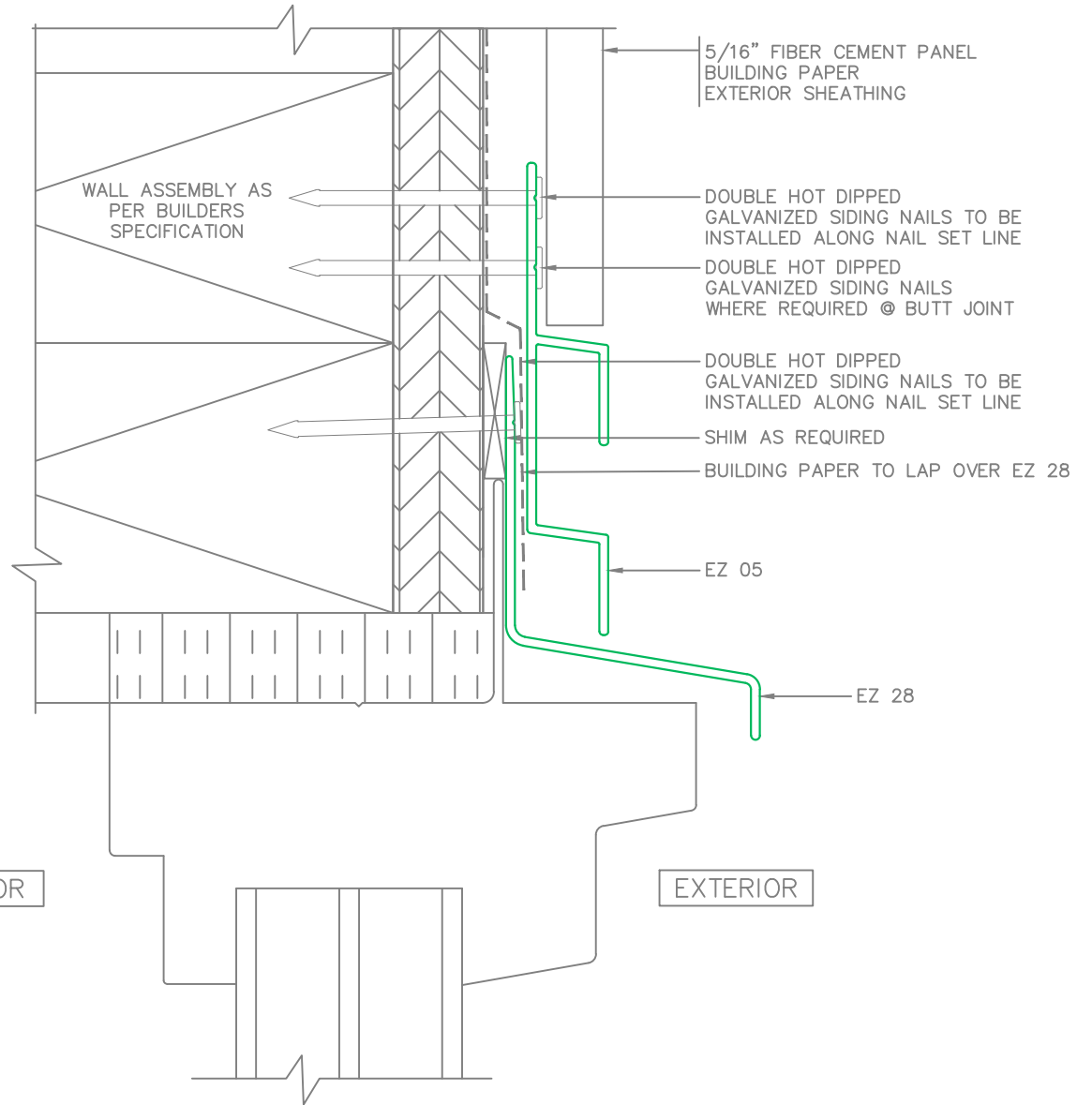
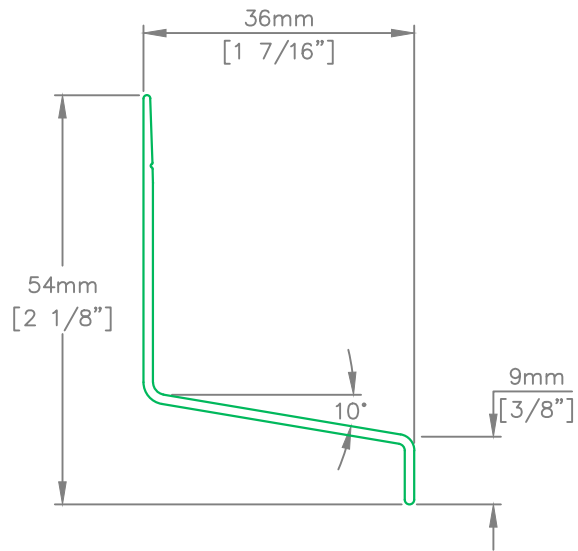
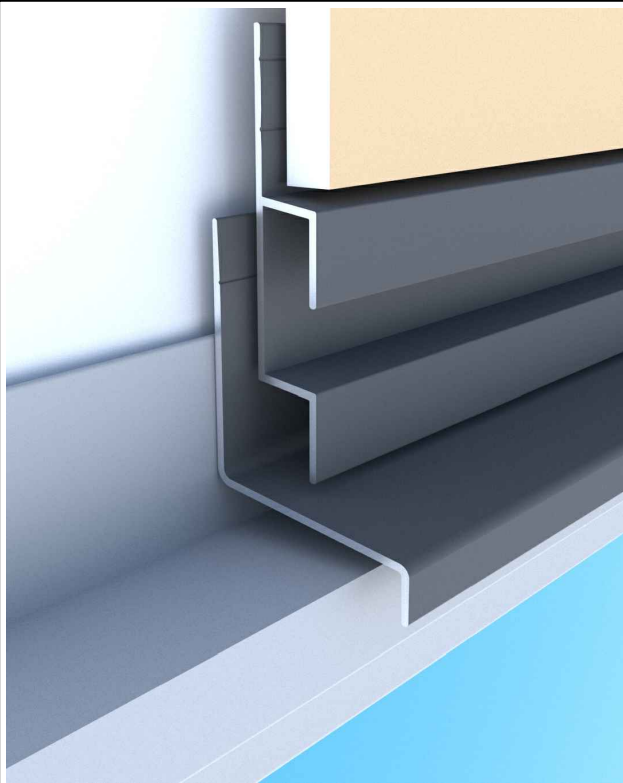


DESCRIPTION			
EZ 27 2-PIECE INSIDE CORNER 5/16" TRIM			
	SCALE	NTS	DRAWING NUMBER
	DATE	NOV2023	EZ27.1
	DRWN BY	HJ/DDG	




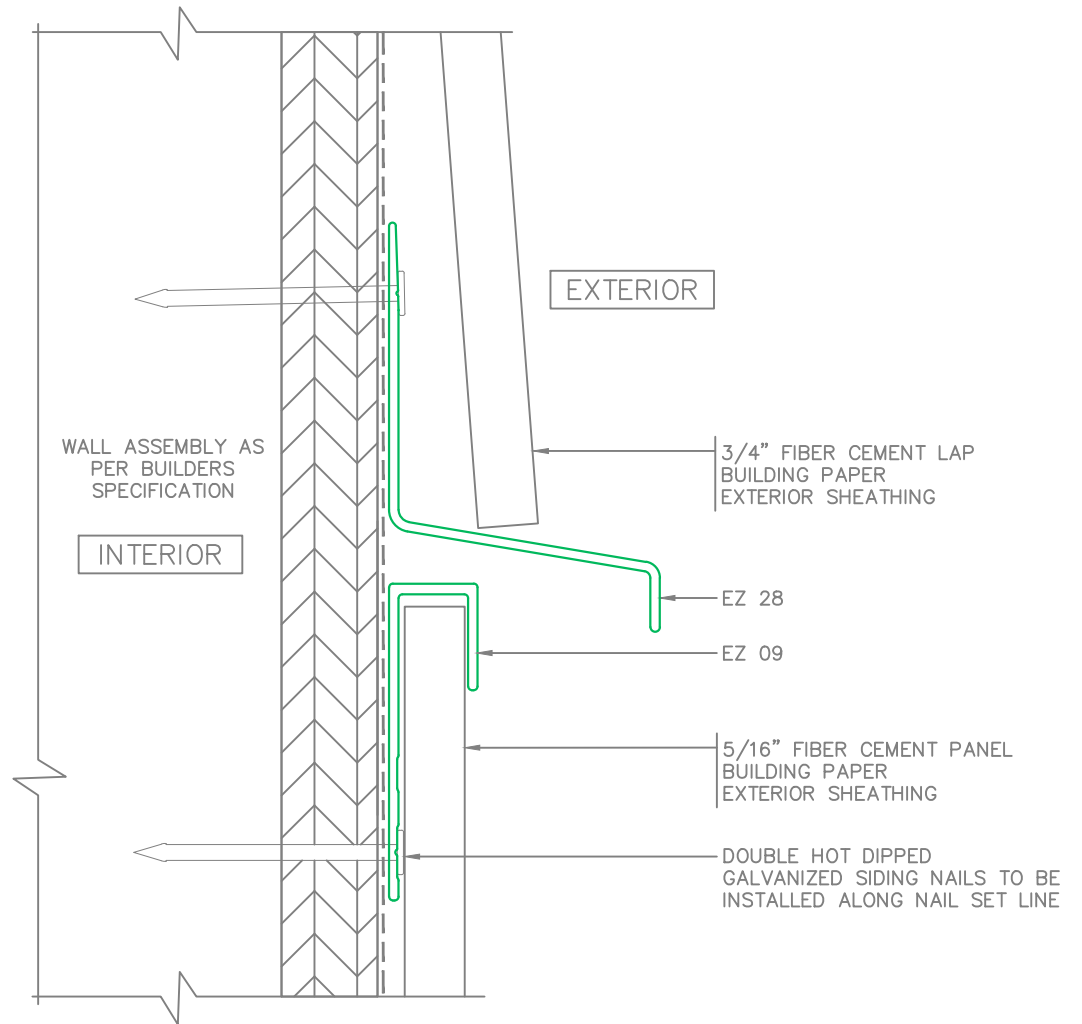
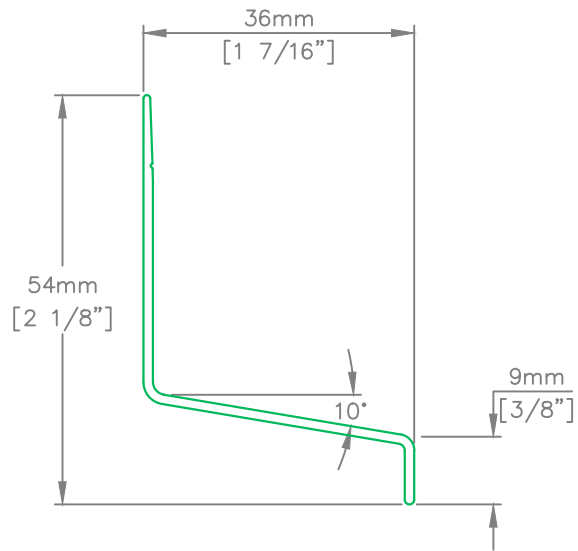
DESCRIPTION
EZ 28 1-3/8" WINDOW DRIP CAP FLASHING W/
EZ 04 HORIZONTAL Z 5/16" TRIM


	SCALE	NTS	DRAWING NUMBER
	DATE	NOV2023	EZ28.1
	DRWN BY	HJ/DDG	

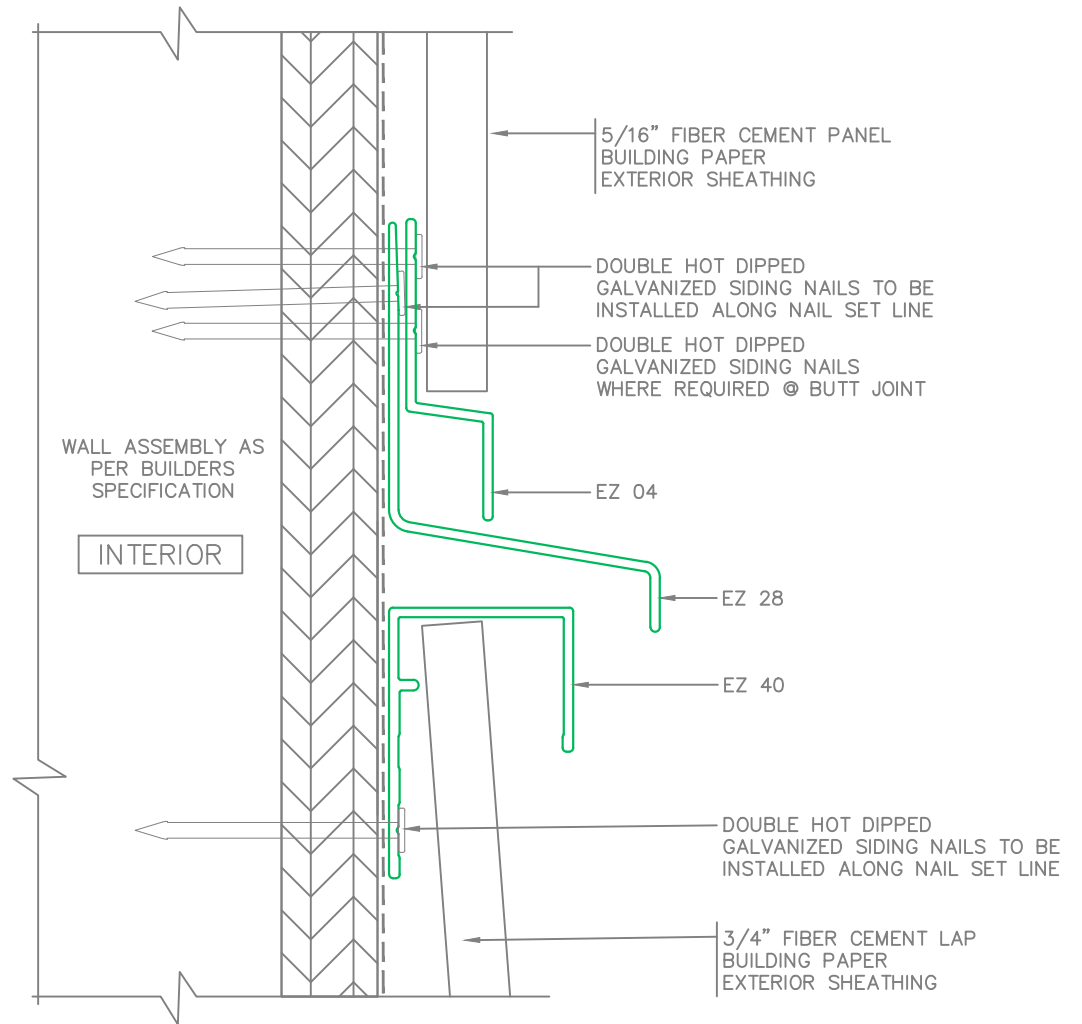
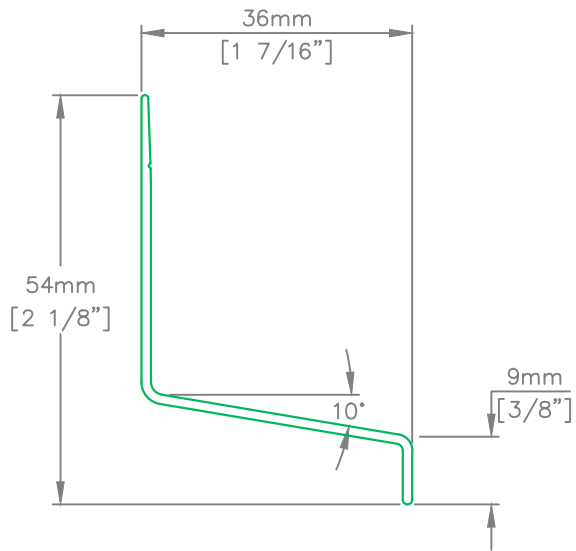



DESCRIPTION
 EZ 28 1-3/8" WINDOW DRIP CAP FLASHING W/
 EZ 05 HORIZONTAL H 5/16" TRIM

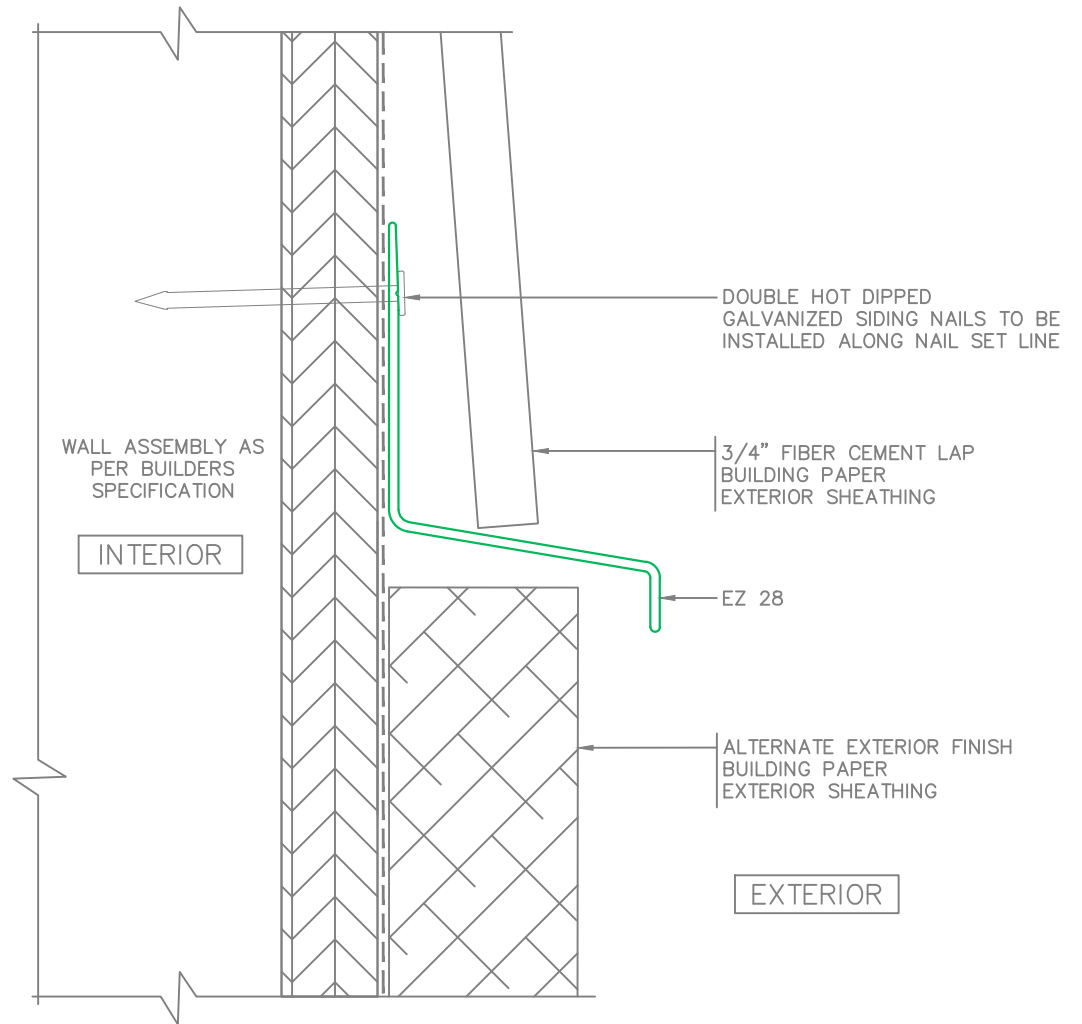
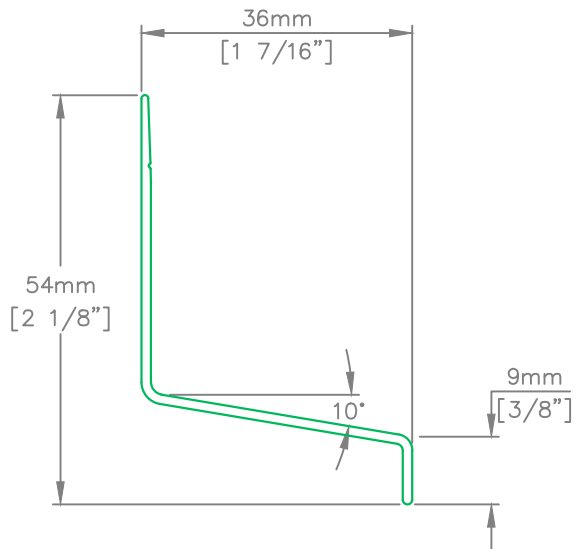
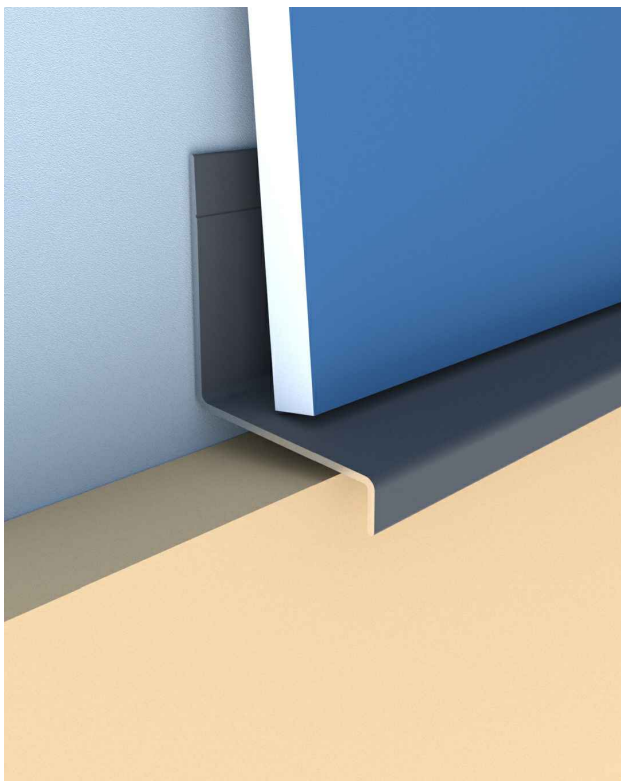
	SCALE	NTS	DRAWING NUMBER
	DATE	NOV2023	EZ28.2
	DRWN BY	HJ/DDG	



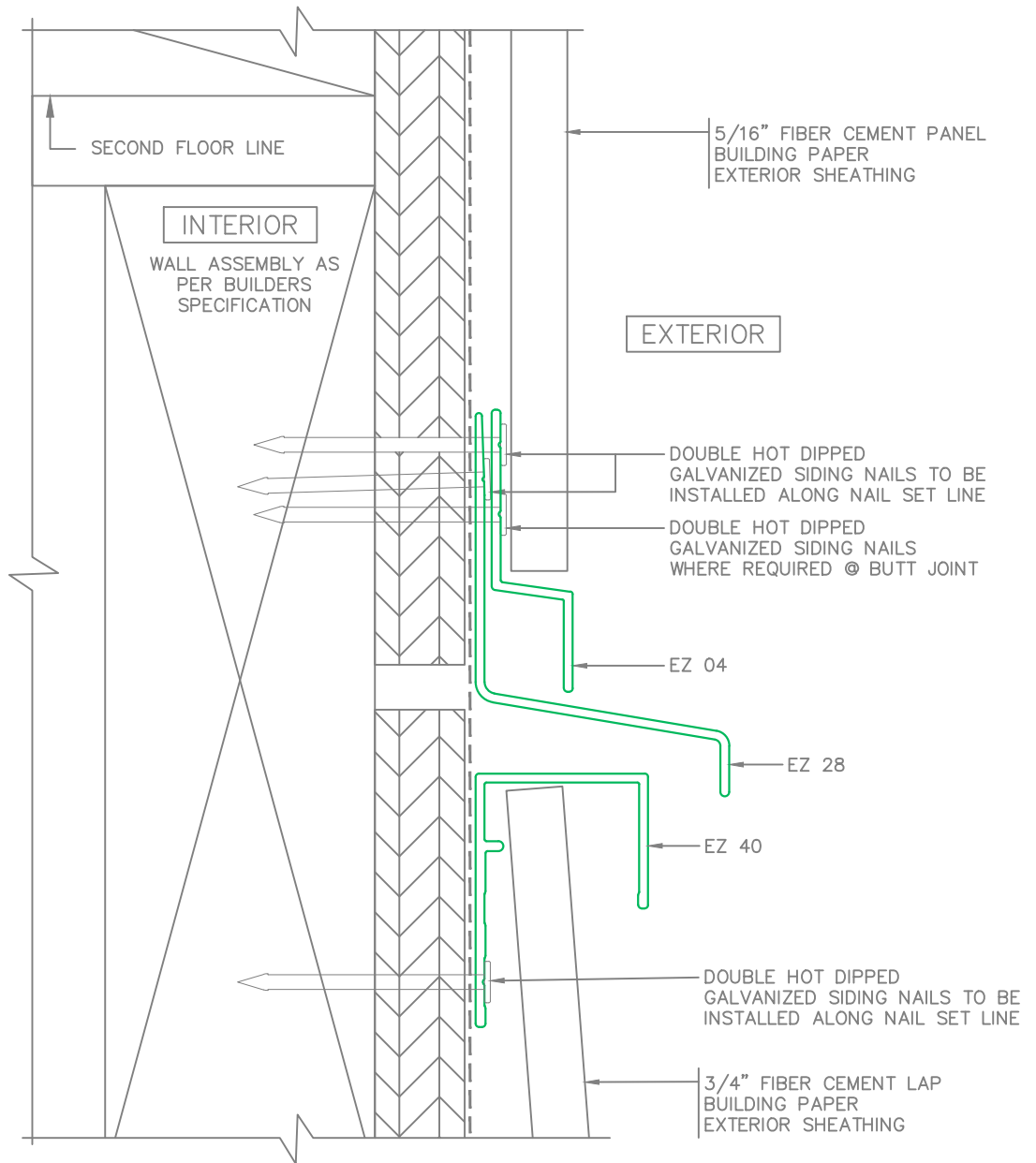
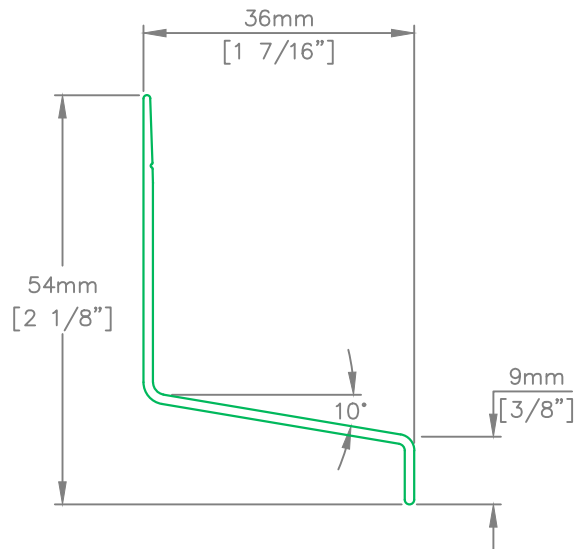
DESCRIPTION			
EZ 28 1-3/8" DRIP CAP FLASHING @ 5/16" PANEL TO 3/4" LAP HORIZONTAL TRANSITION			
	SCALE	NTS	DRAWING NUMBER
	DATE	NOV2023	EZ28.3
	DRWN BY	HJ/DDG	




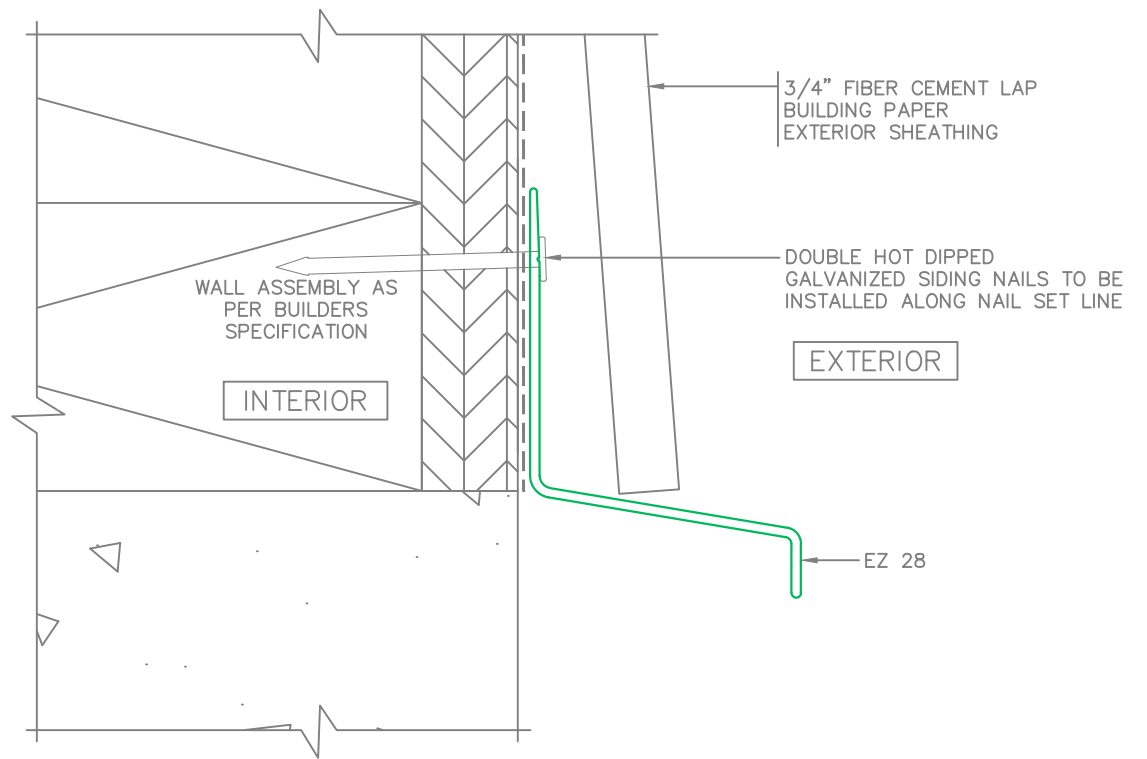
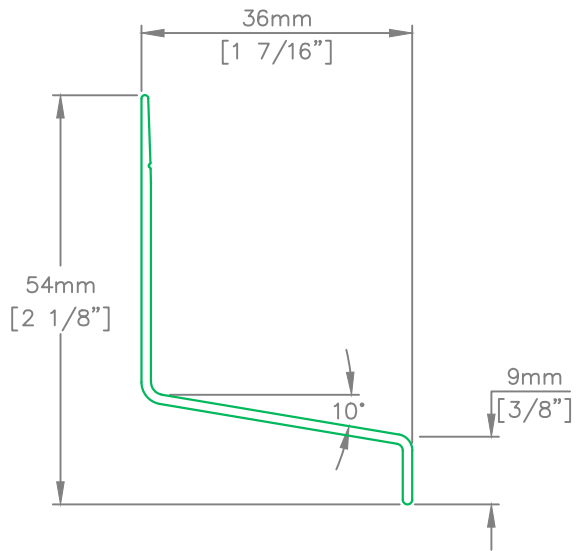
DESCRIPTION			
EZ 28 1-3/8" DRIP CAP FLASHING @ 3/4" LAP TO 5/16" PANEL HORIZONTAL TRANSITION			
	SCALE	NTS	DRAWING NUMBER
	DATE	NOV2023	EZ28.4
	DRWN BY	HJ/DDG	



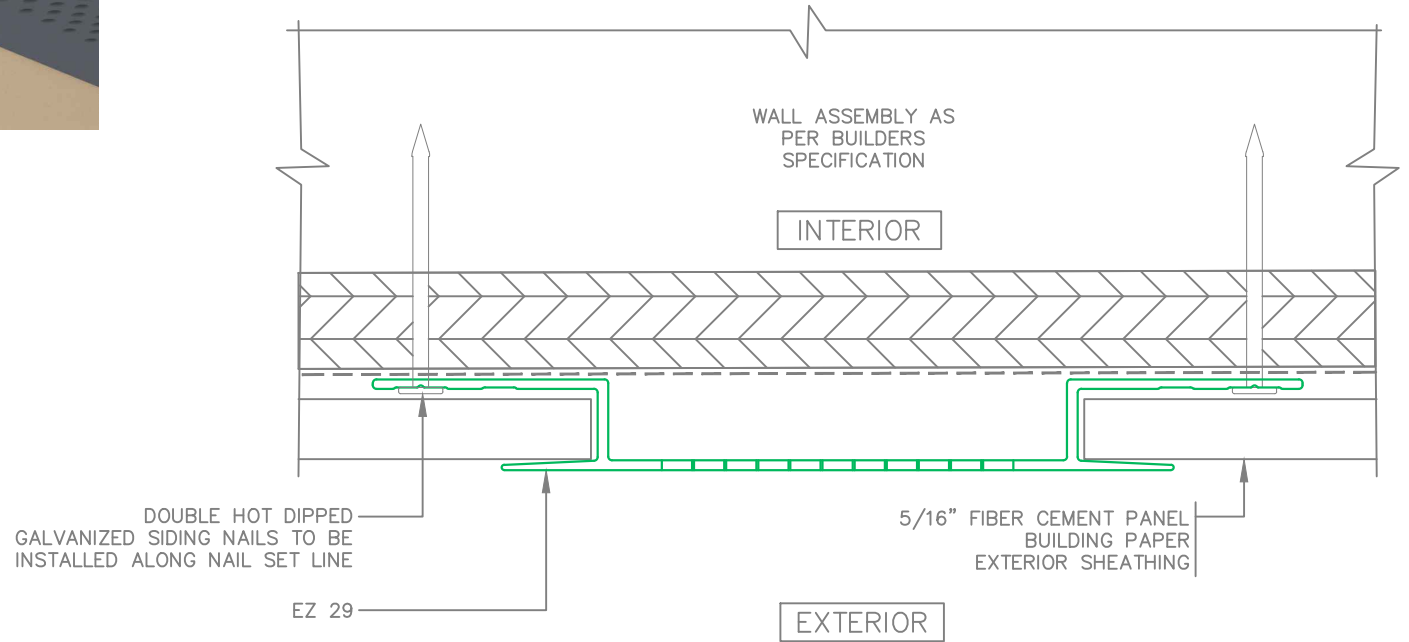
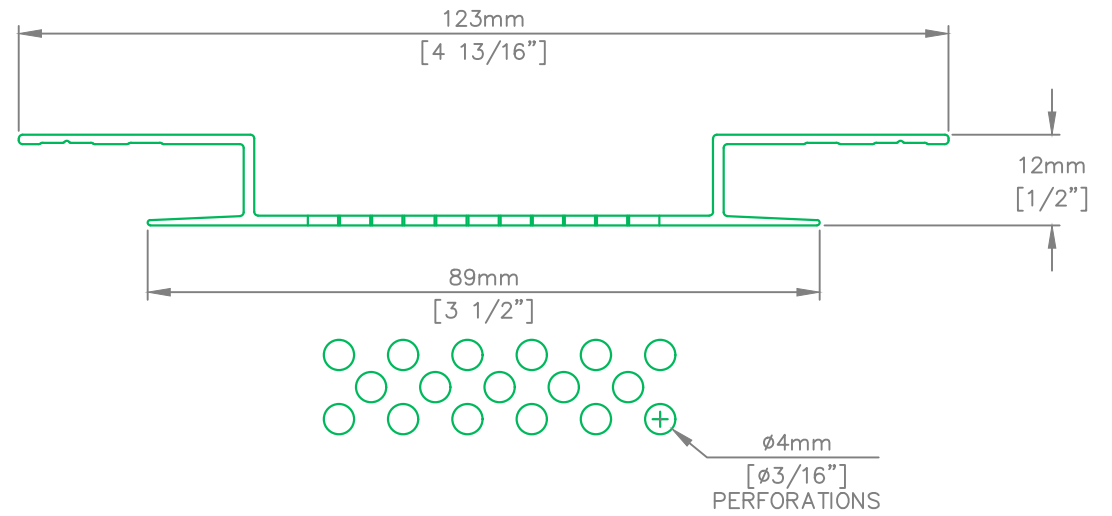
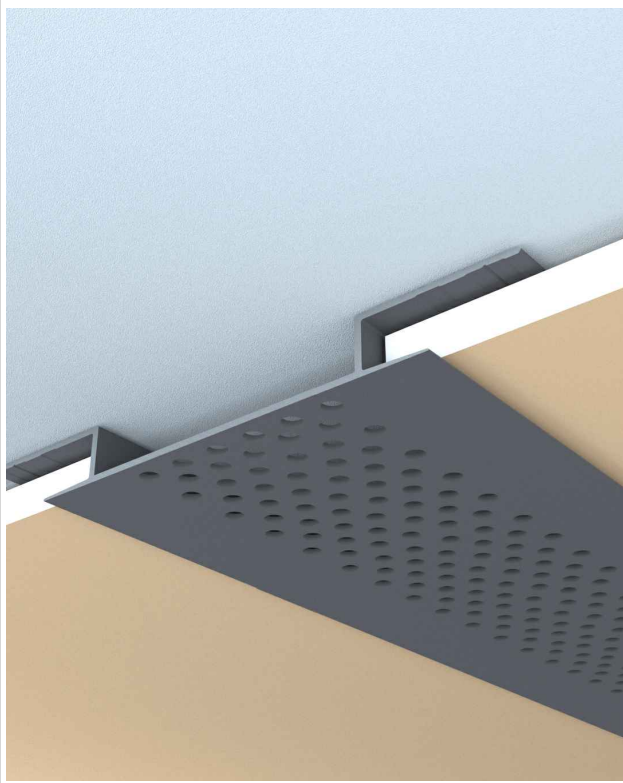
DESCRIPTION			
EZ 28 1-3/8" DRIP CAP FLASHING MID-LAP © ALTERNATE FINISH TRANSITION			
	SCALE	NTS	DRAWING NUMBER
	DATE	NOV2023	EZ28.5
	DRWN BY	HJ/DDG	



DESCRIPTION			
EZ 28 1-3/8" DRIP CAP THROUGH WALL FLASHING			
	SCALE	NTS	DRAWING NUMBER
	DATE	NOV2023	EZ28.6
	DRWN BY	HJ/DDG	

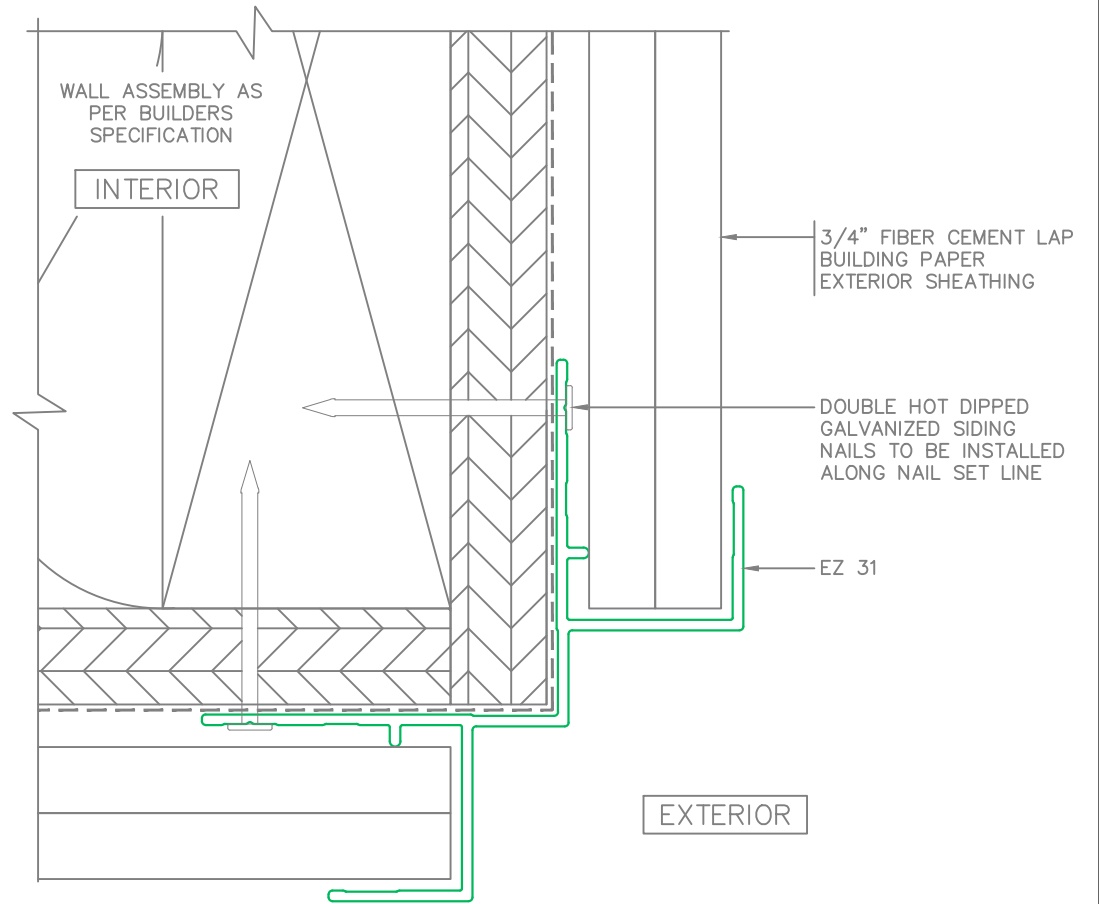
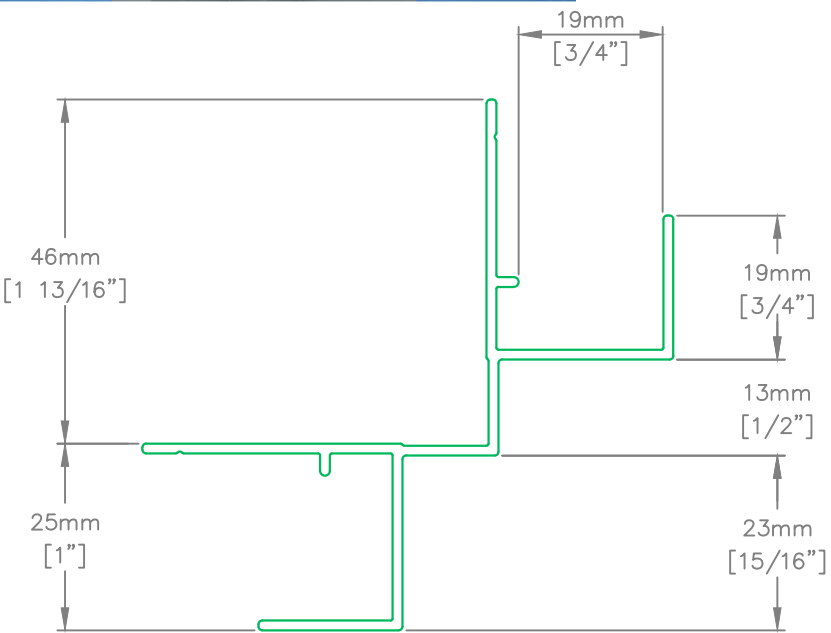
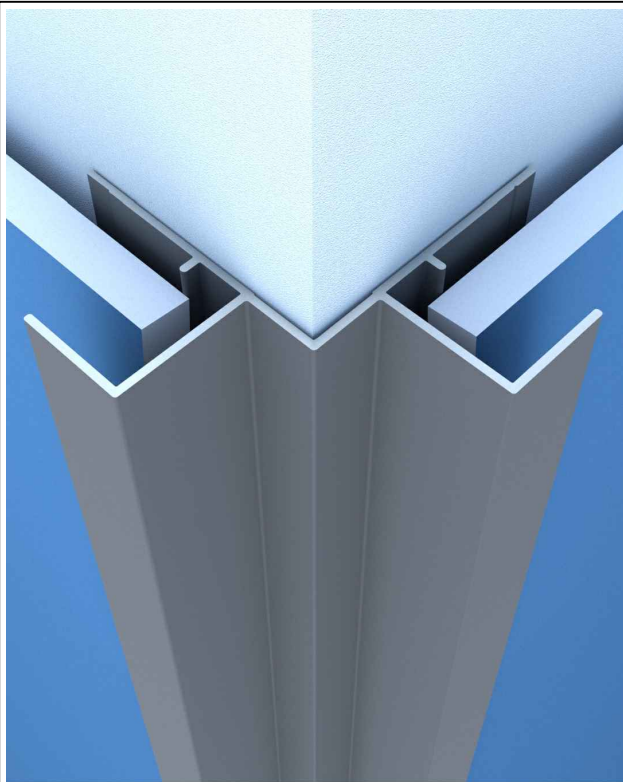


DESCRIPTION			
EZ 28 1-3/8" DRIP CAP FLASHING @ SLOPED FLOOR LINE			
	SCALE	NTS	DRAWING NUMBER
	DATE	NOV2023	EZ28.7
	DRWN BY	HJ/DDG	

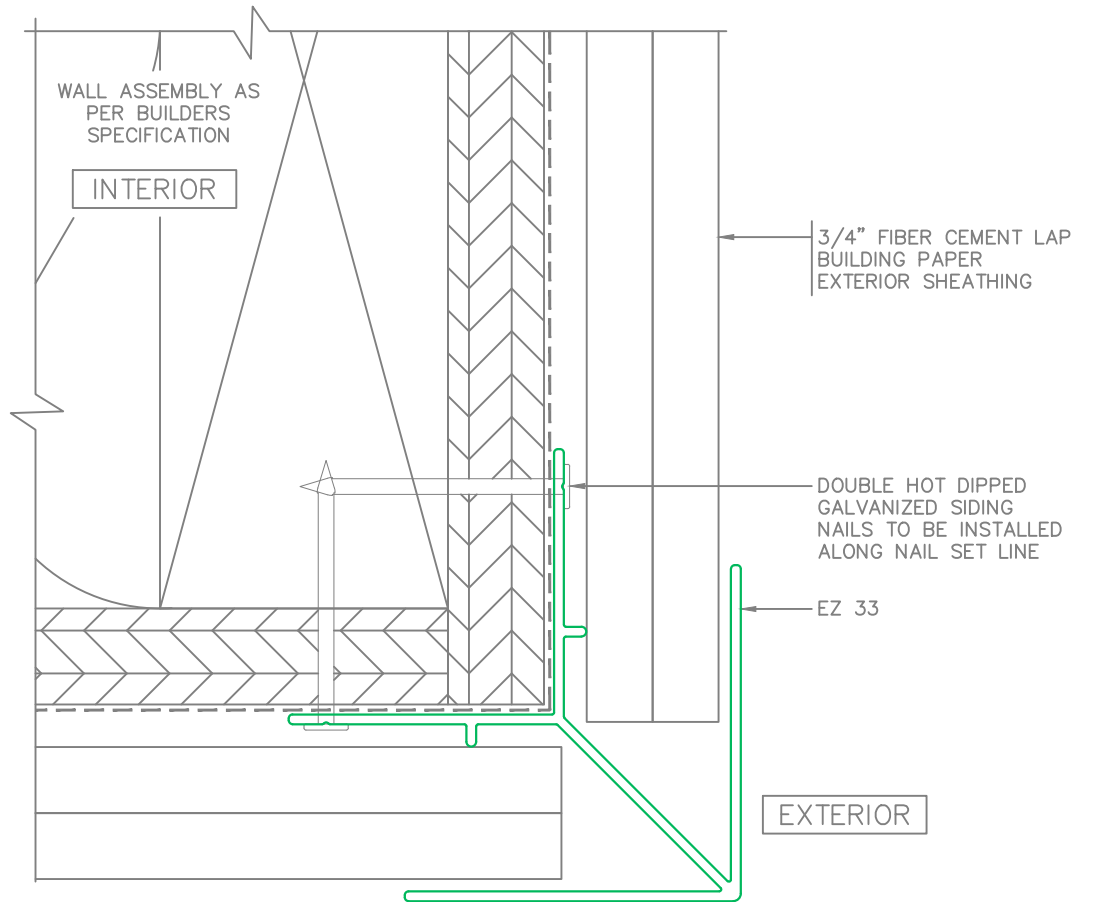
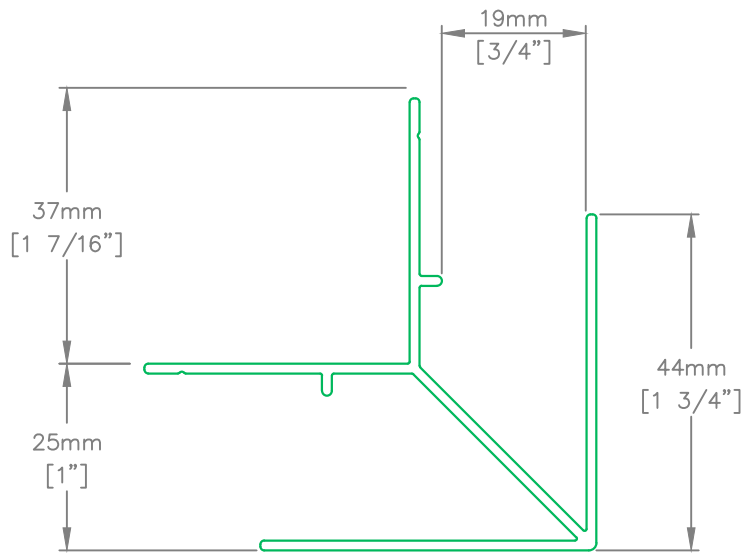
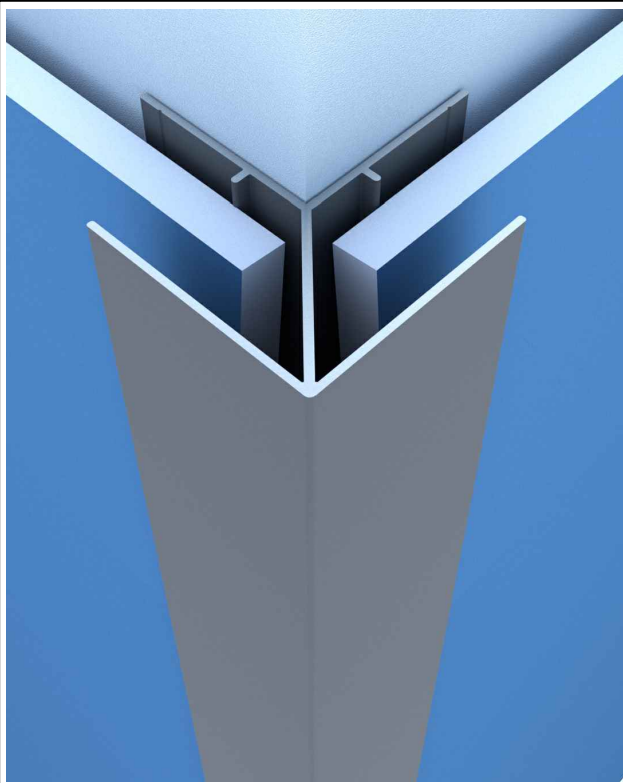


7.7 in²/ LIN FT
163.3 cm²/ LIN m
NET FREE AIR SPACE

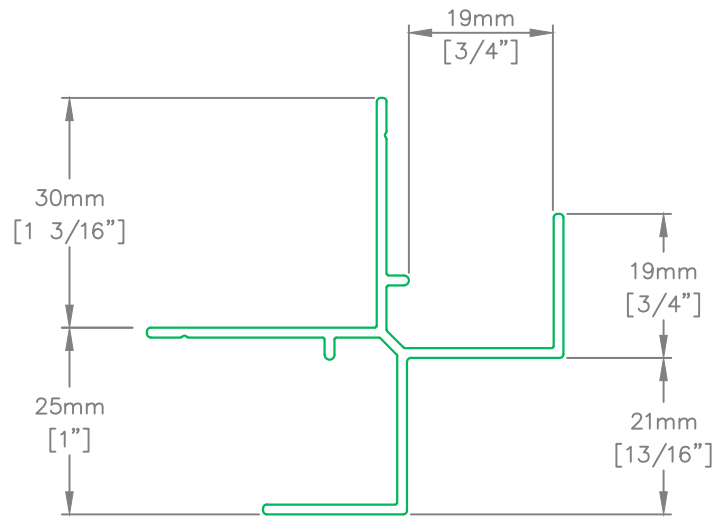
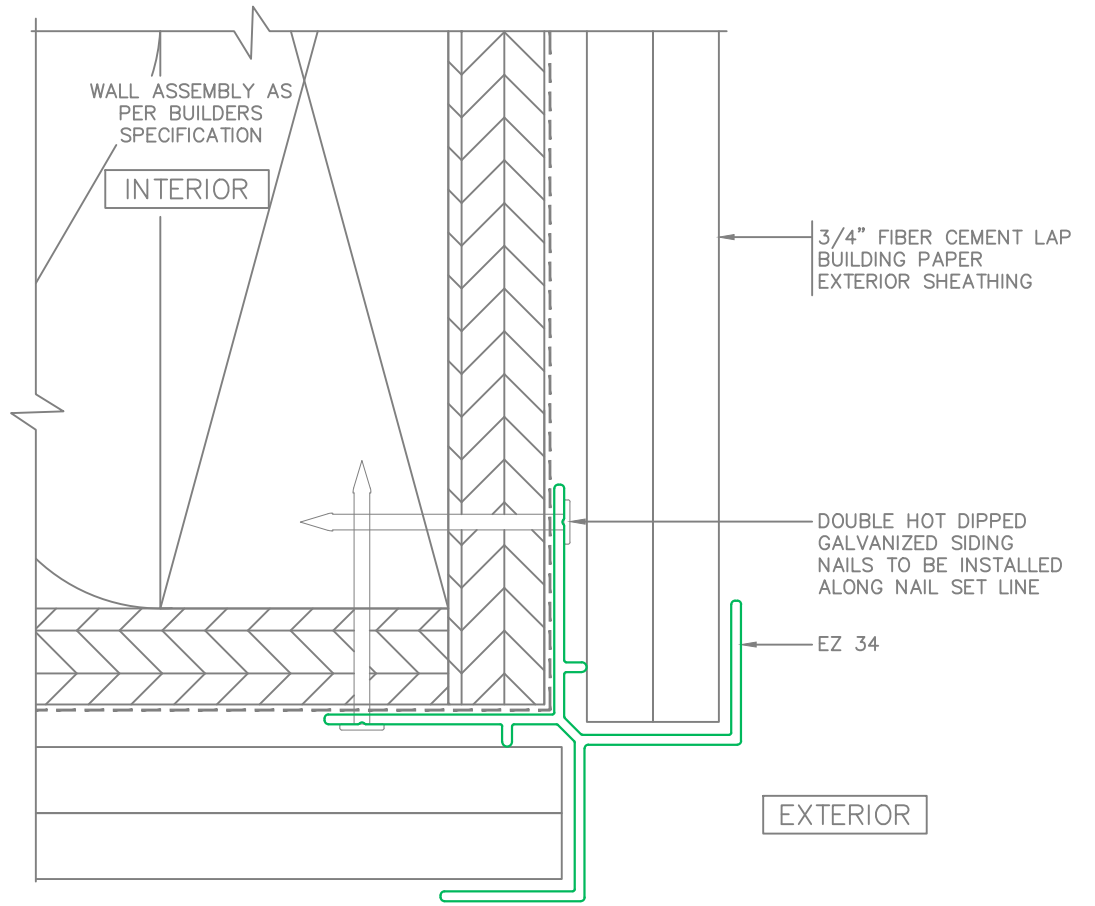
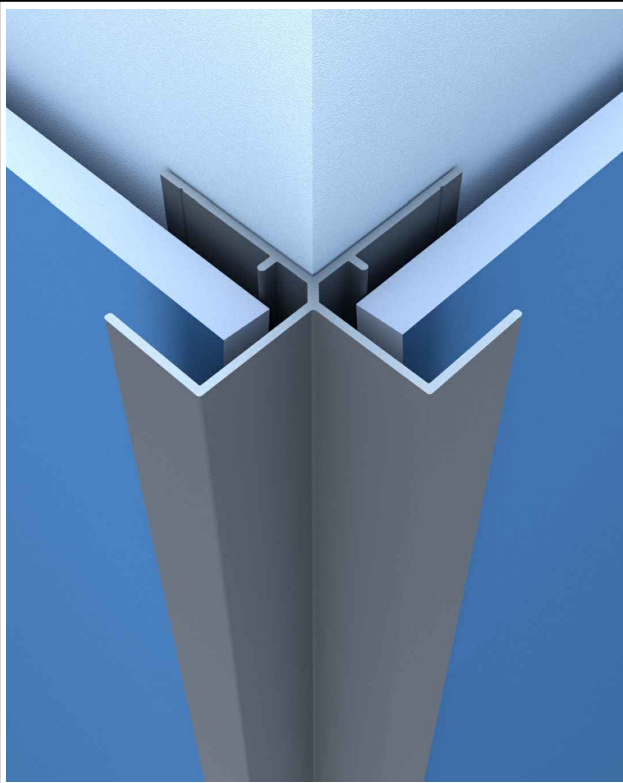
DESCRIPTION			
EZ 29 PERFORATED SOFFIT 5/16" TRIM			
	SCALE	NTS	DRAWING NUMBER
	DATE	NOV2023	EZ29.1
	DRWN BY	HJ/DDG	




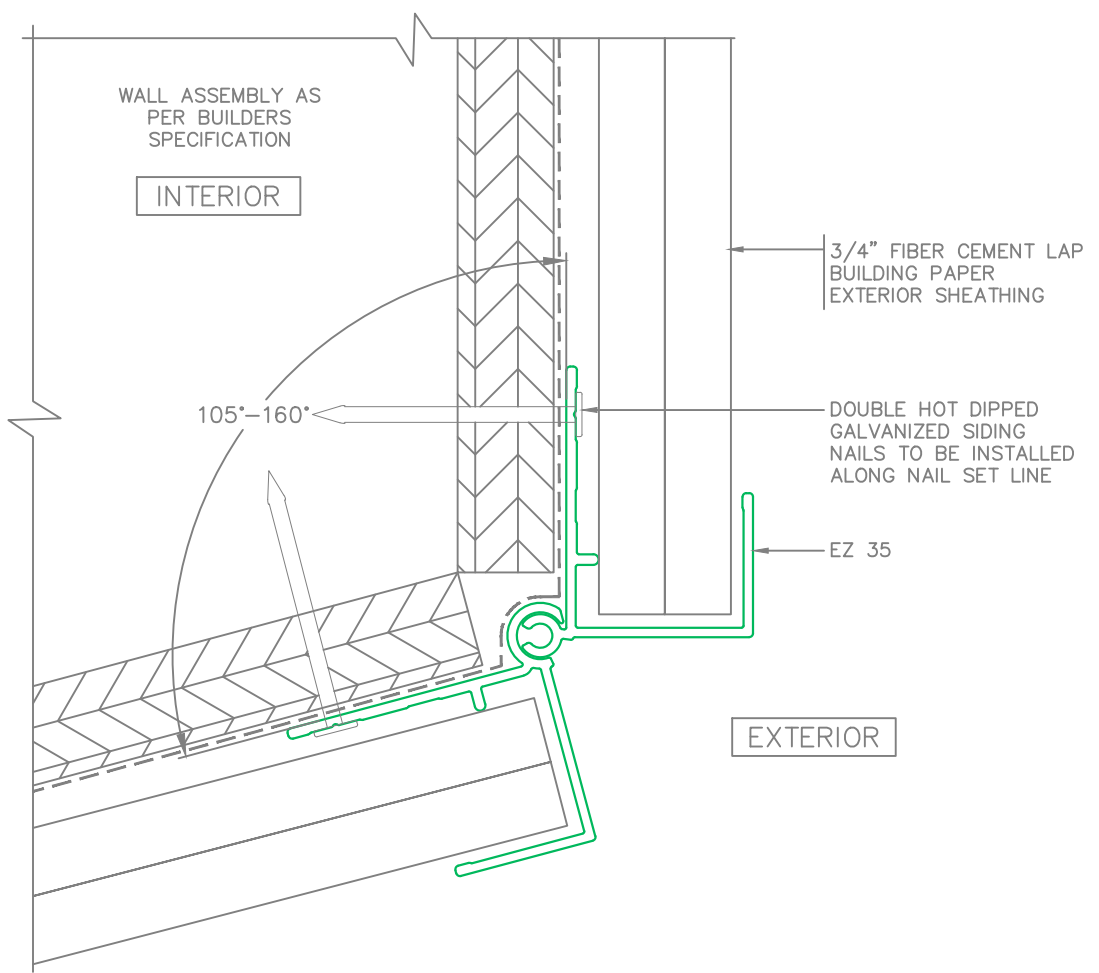
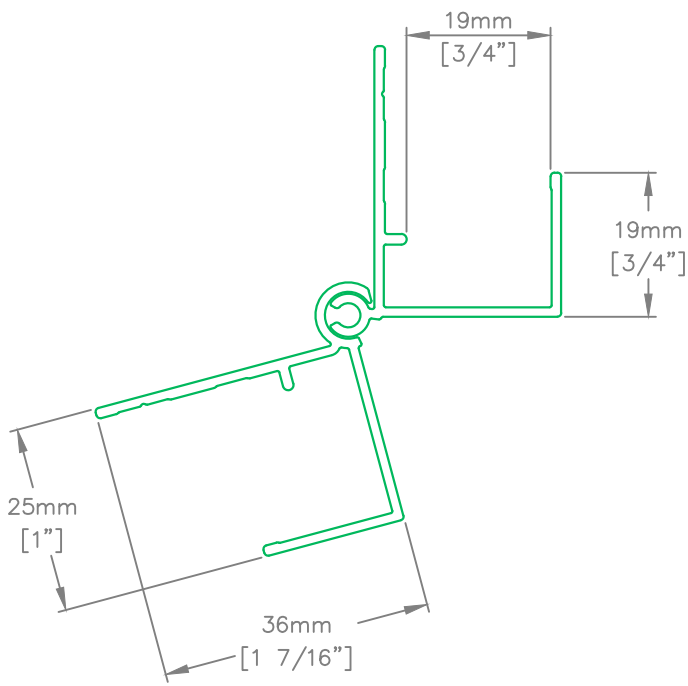
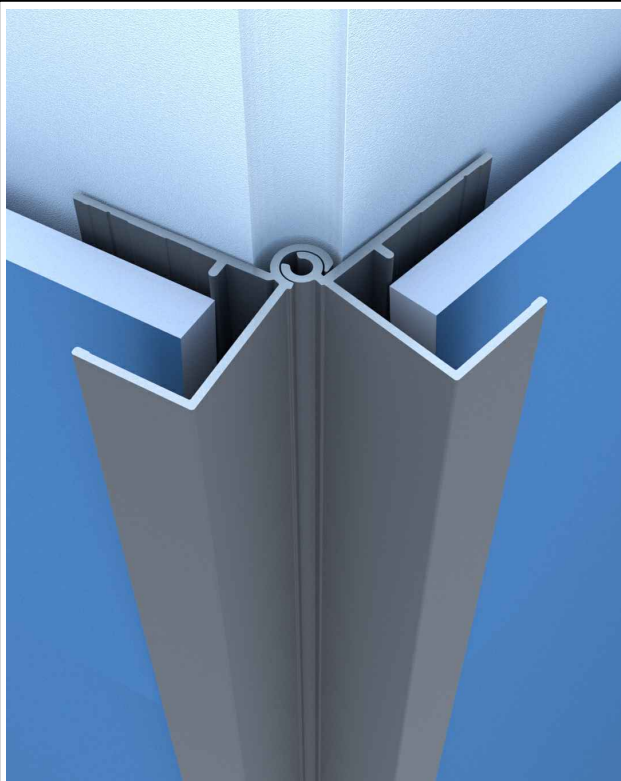
DESCRIPTION			
EZ 31 SQUARE OUTSIDE CORNER 3/4" TRIM			
	SCALE	NTS	DRAWING NUMBER
	DATE	NOV2023	EZ31.1
	DRWN BY	HJ/DDG	




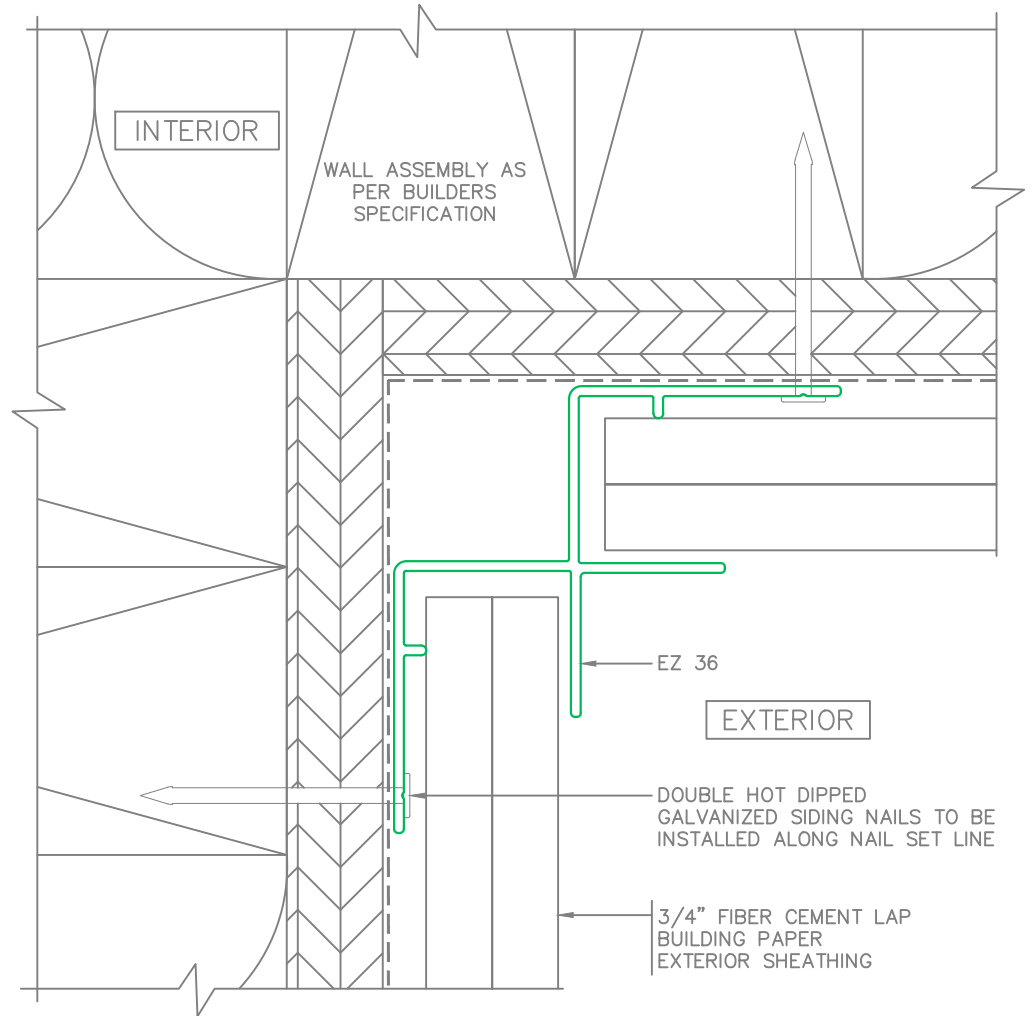
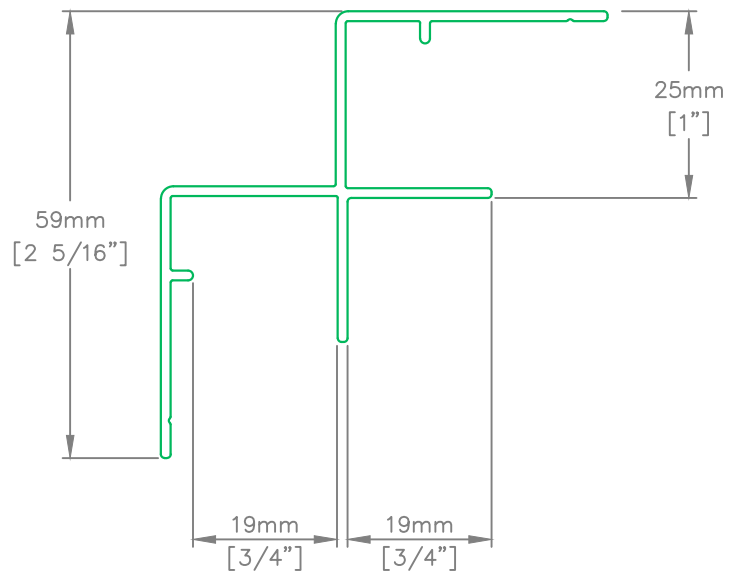
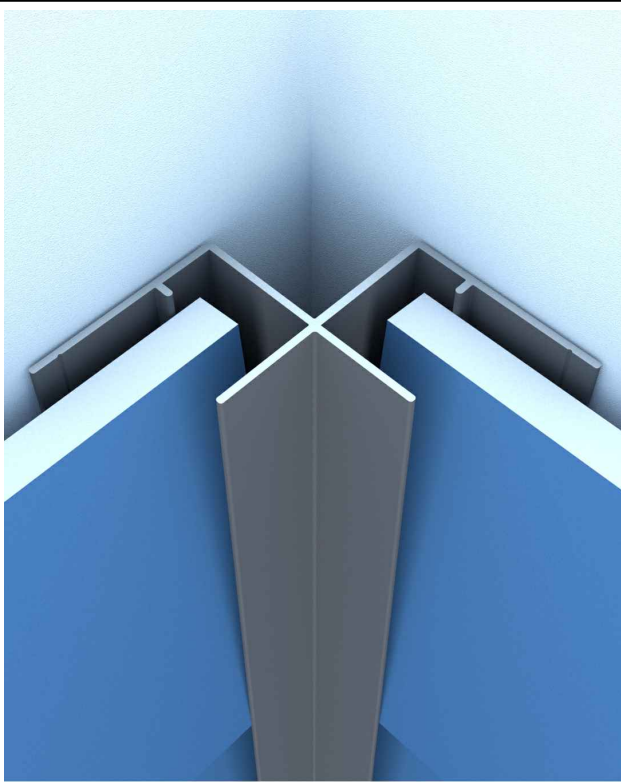
DESCRIPTION			
EZ 33 ARROW OUTSIDE CORNER 3/4" TRIM			
	SCALE	NTS	DRAWING NUMBER
	DATE	NOV2023	EZ33.1
	DRWN BY	HJ/DDG	



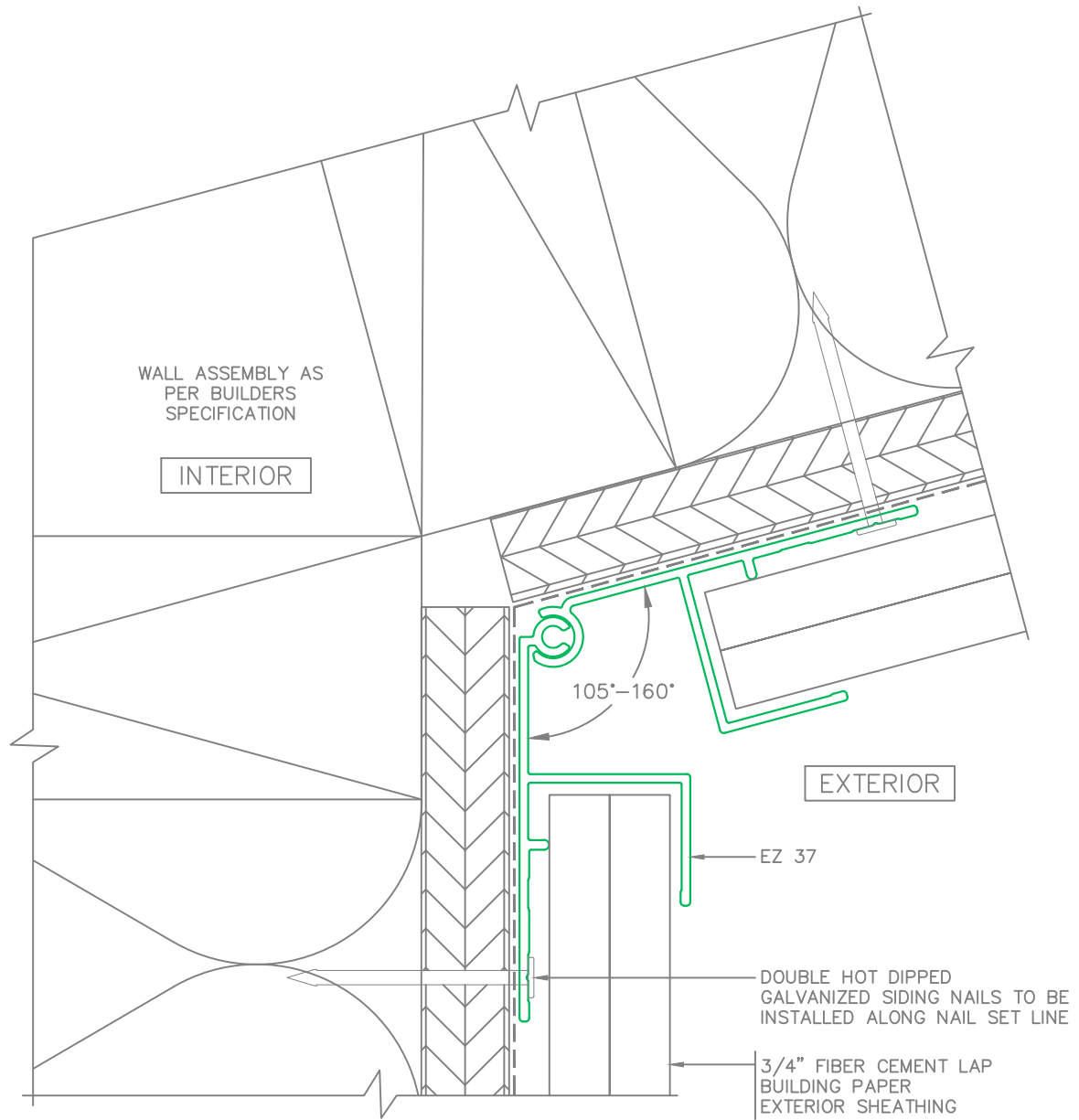
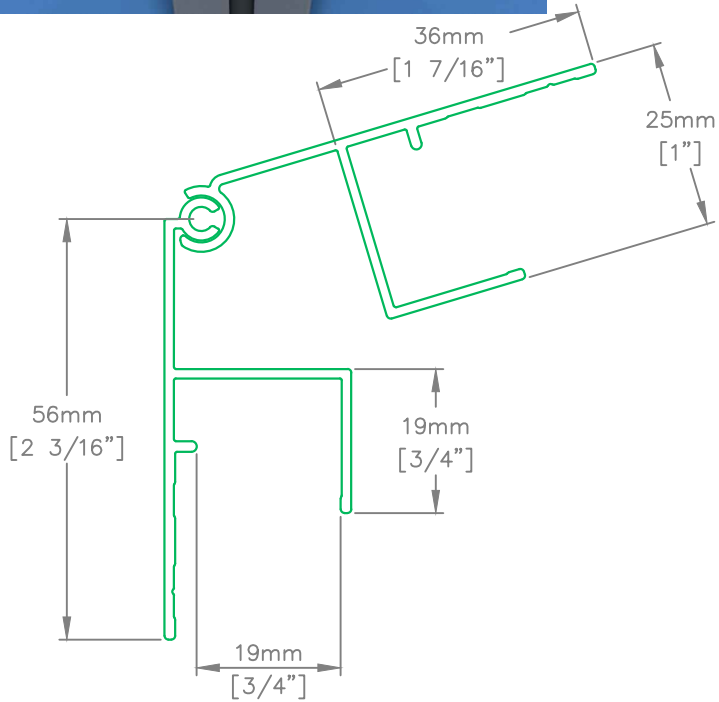
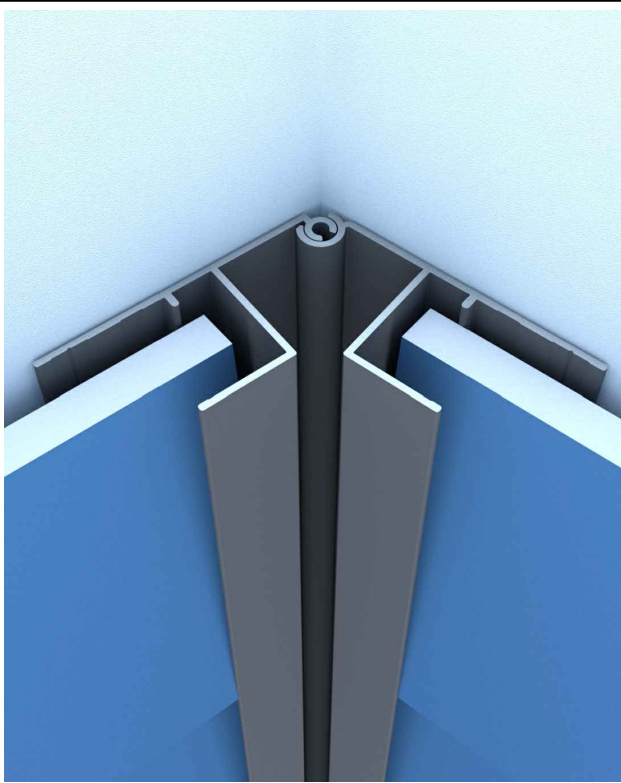
DESCRIPTION			
EZ 34 X OUTSIDE CORNER 3/4" TRIM			
	SCALE	NTS	DRAWING NUMBER
	DATE	NOV2023	EZ34.1
	DRWN BY	HJ/DDG	




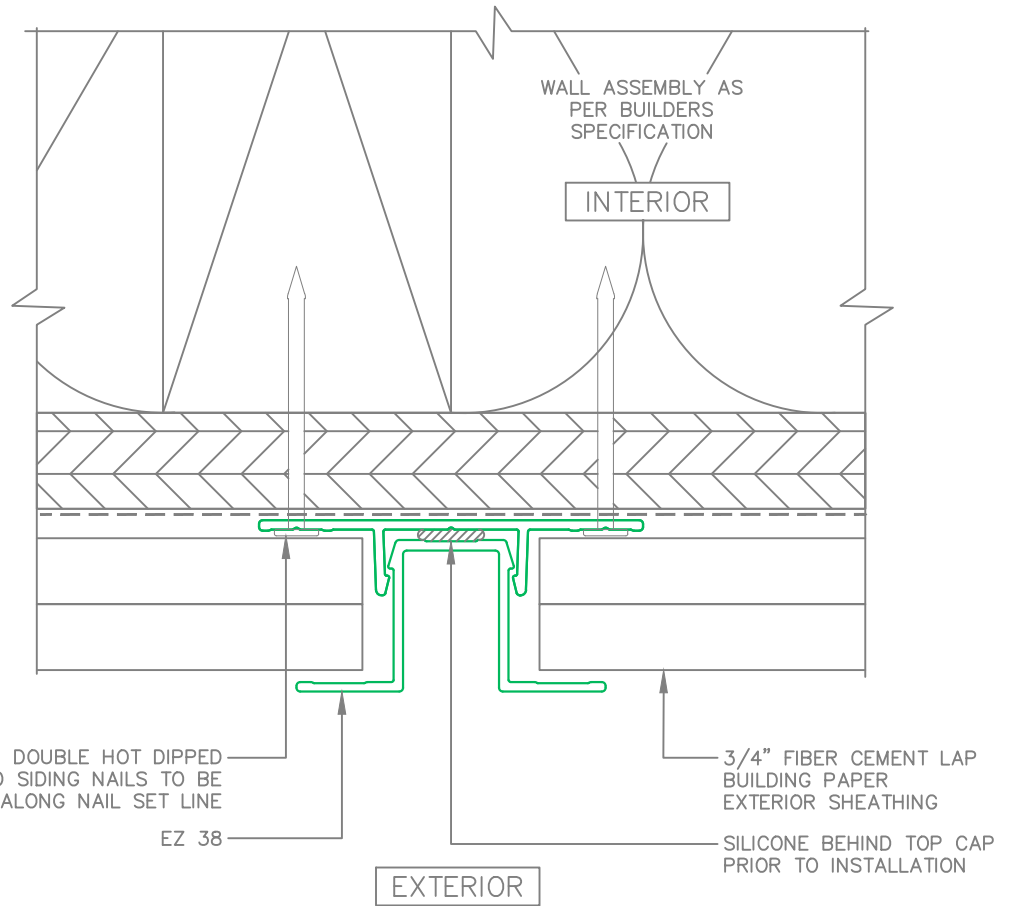
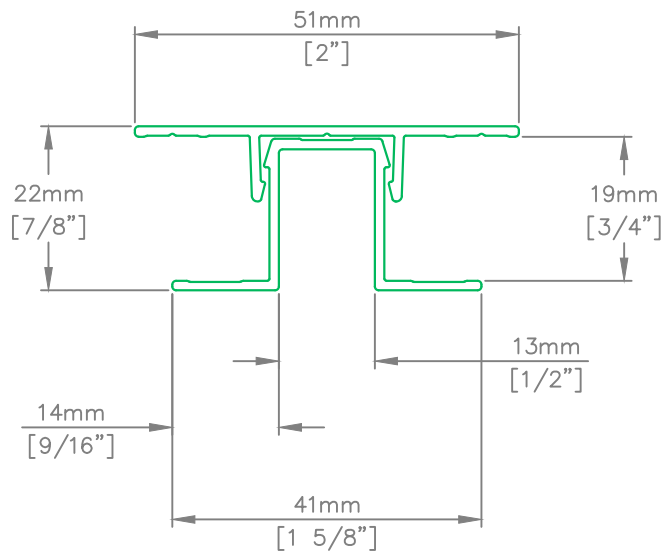
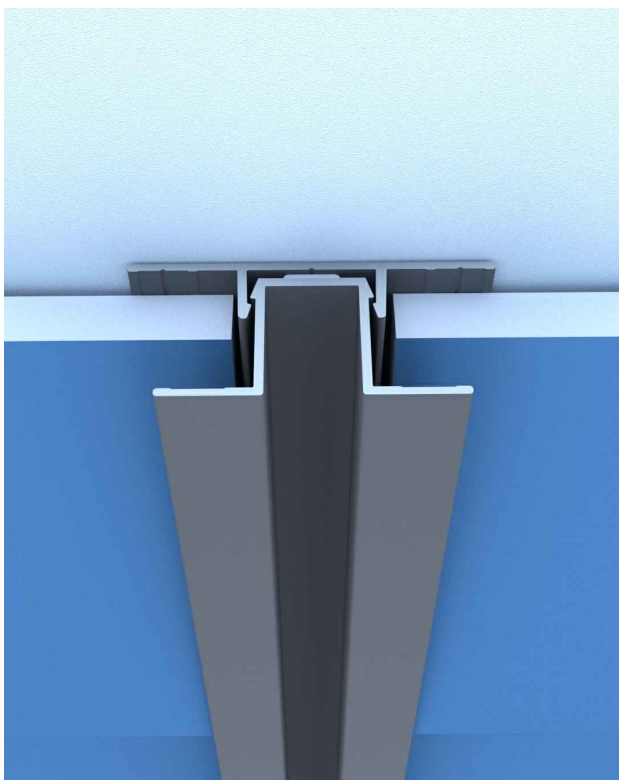
DESCRIPTION			
EZ 35 MULTI-ANGLE (105°-160°) OUTSIDE CORNER 3/4" TRIM			
	SCALE	NTS	DRAWING NUMBER
	DATE	NOV2023	EZ35.1
	DRWN BY	HJ/DDG	




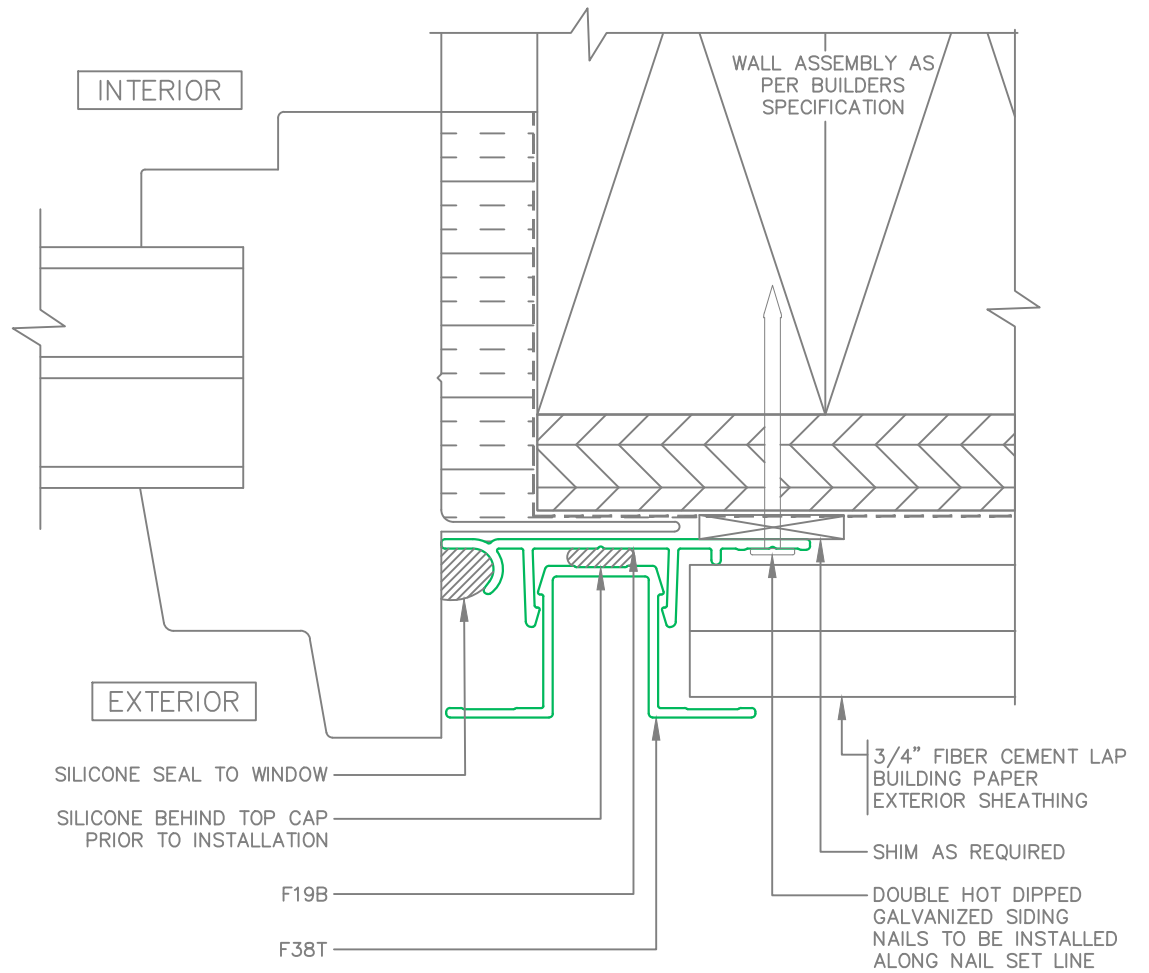
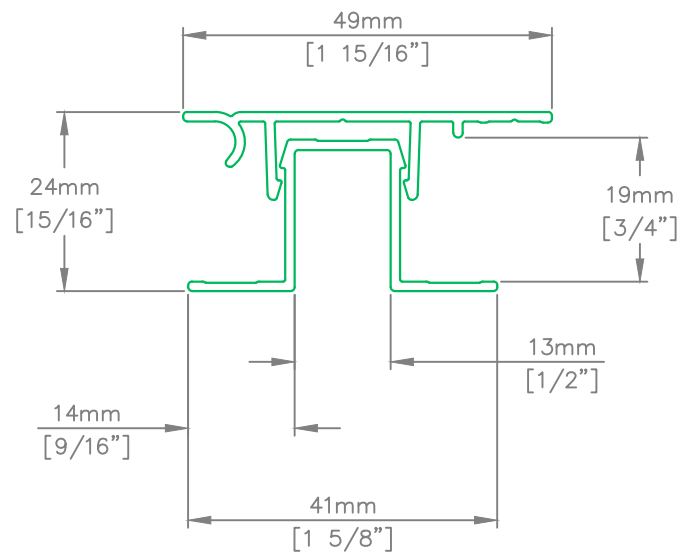
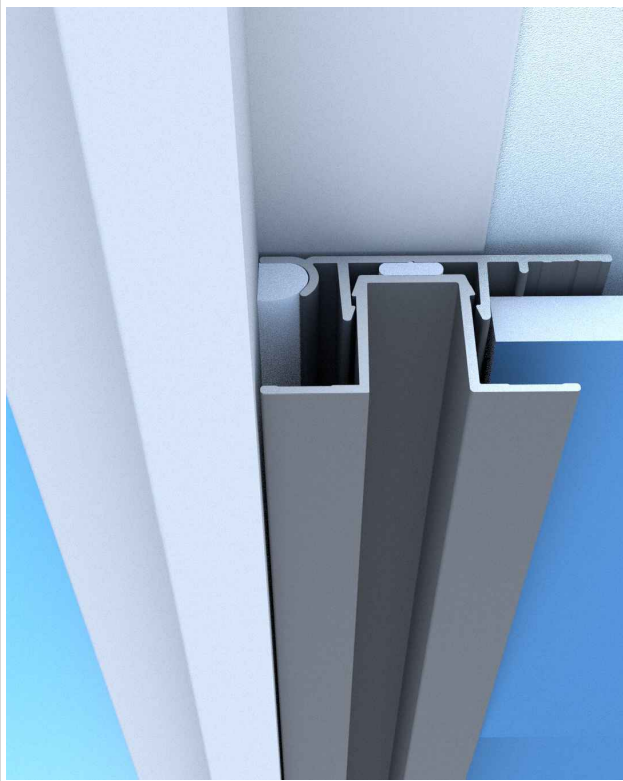
DESCRIPTION			
EZ 36 INSIDE CORNER 3/4" TRIM			
	SCALE	NTS	DRAWING NUMBER
	DATE	NOV2023	EZ36.1
	DRWN BY	HJ/DDG	




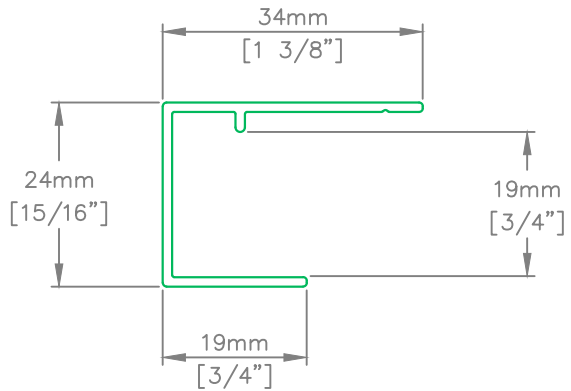
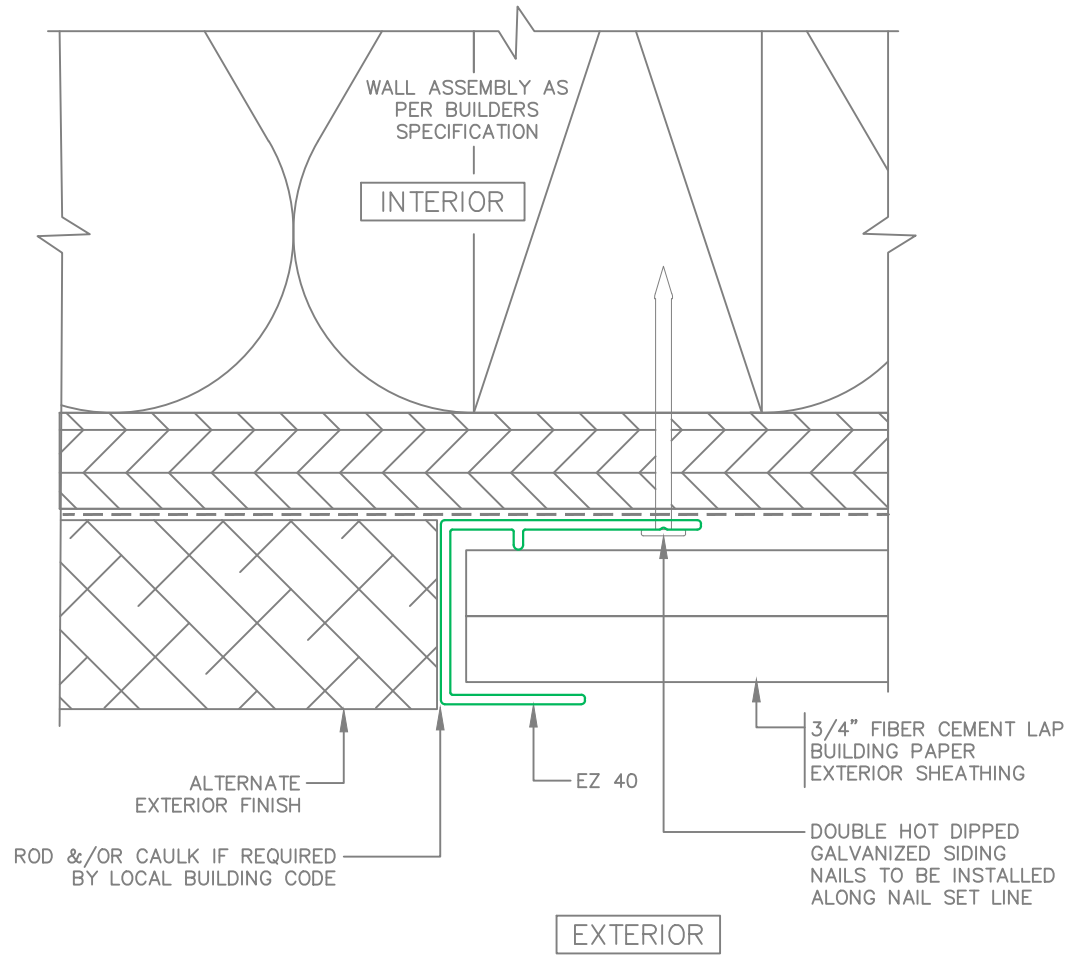
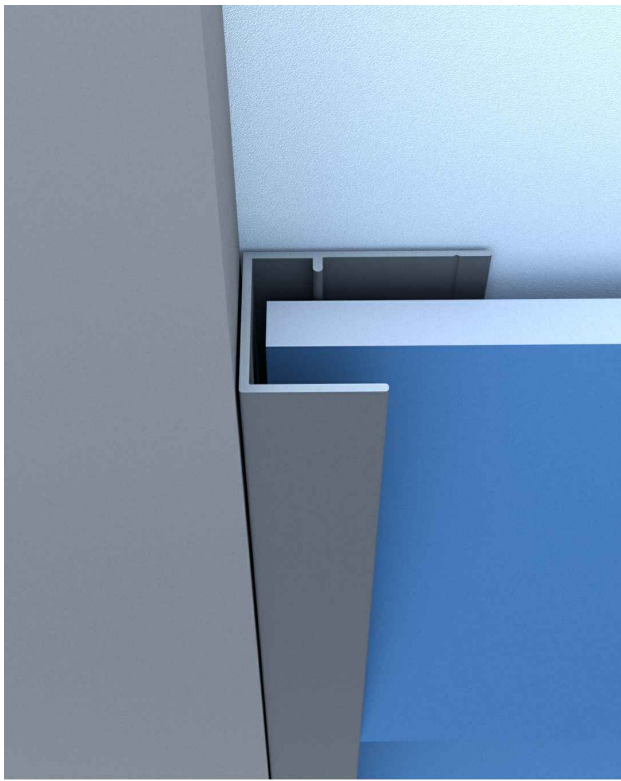
DESCRIPTION			
EZ 37 MULTI-ANGLE (105°-160°) INSIDE CORNER 3/4" TRIM			
	SCALE	NTS	DRAWING NUMBER
	DATE	NOV2023	EZ37.1
	DRWN BY	HJ/DDG	




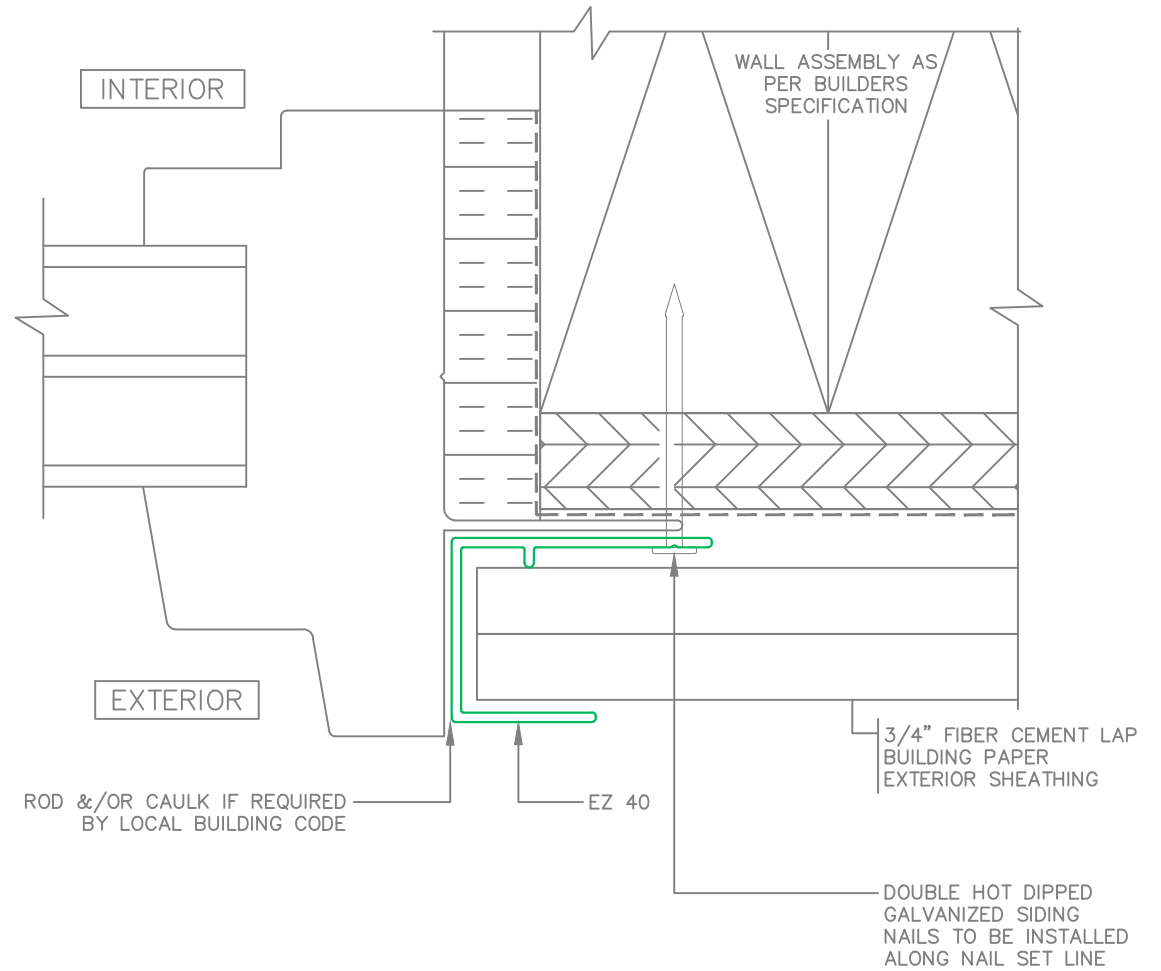
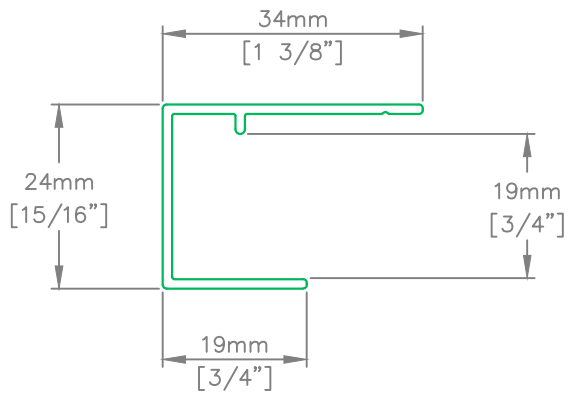
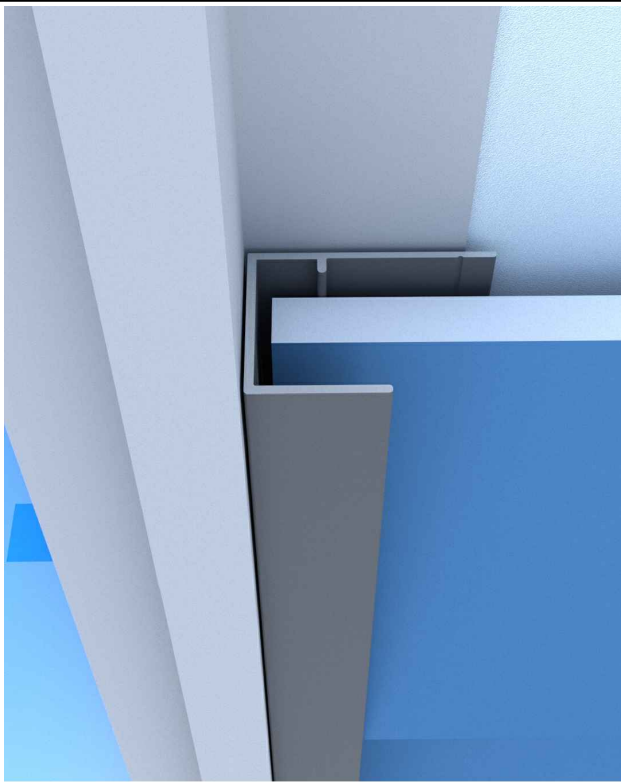
DESCRIPTION			
EZ 38 2-PIECE VERTICAL 3/4" TRIM			
	SCALE	NTS	DRAWING NUMBER
	DATE	NOV2023	EZ38.1
	DRWN BY	HJ/DDG	



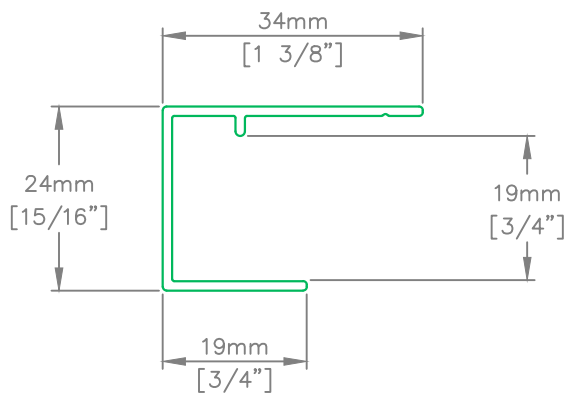
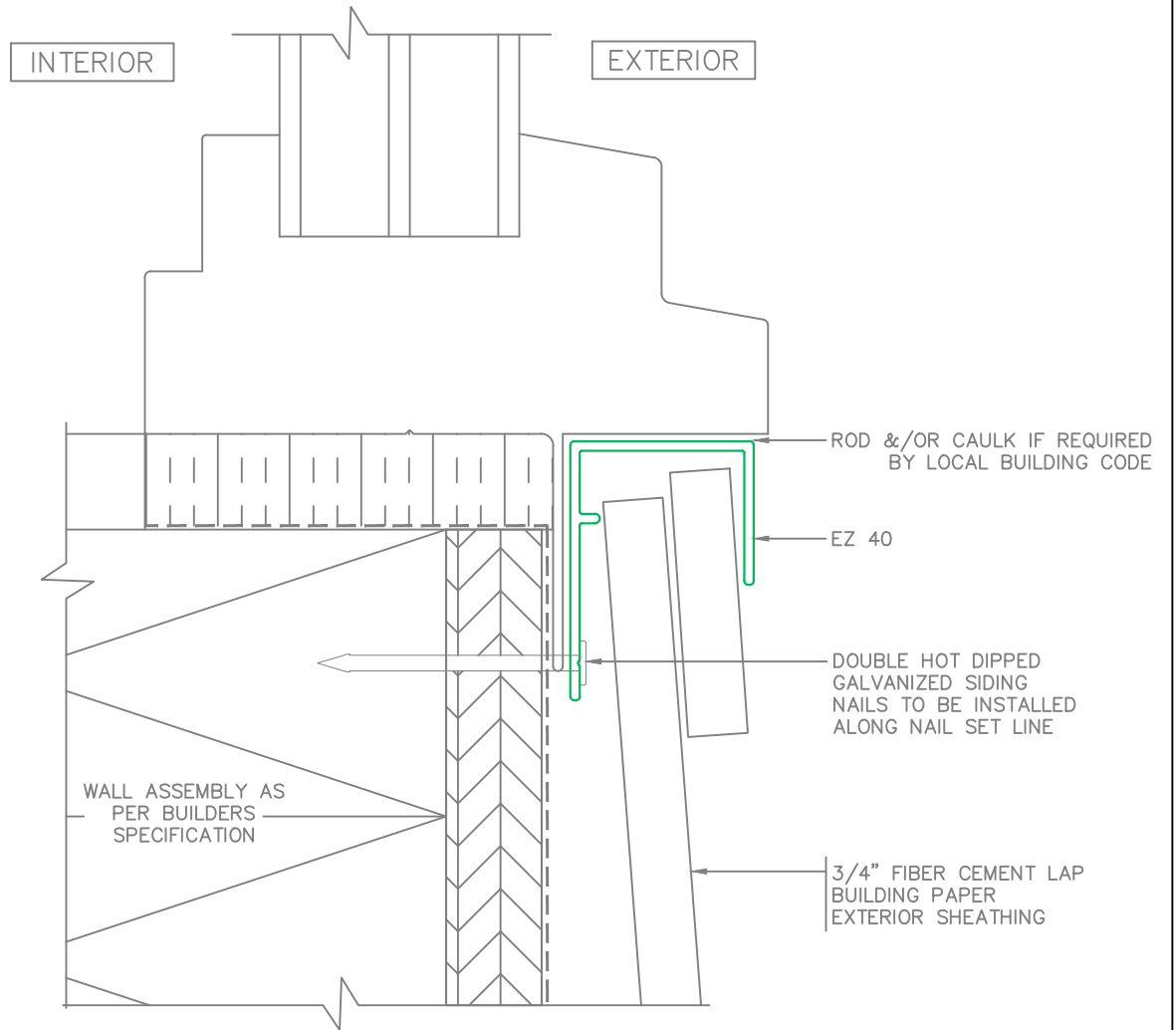
DESCRIPTION			
EZ 39 2-PIECE WINDOW JAMB REVEAL 3/4" TRIM			
	SCALE	NTS	DRAWING NUMBER
	DATE	NOV2023	EZ39.1
	DRWN BY	HJ/DDG	




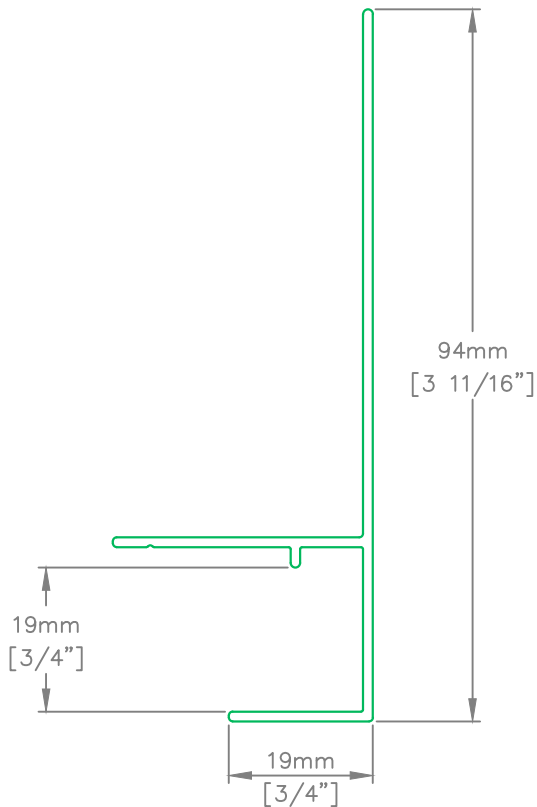
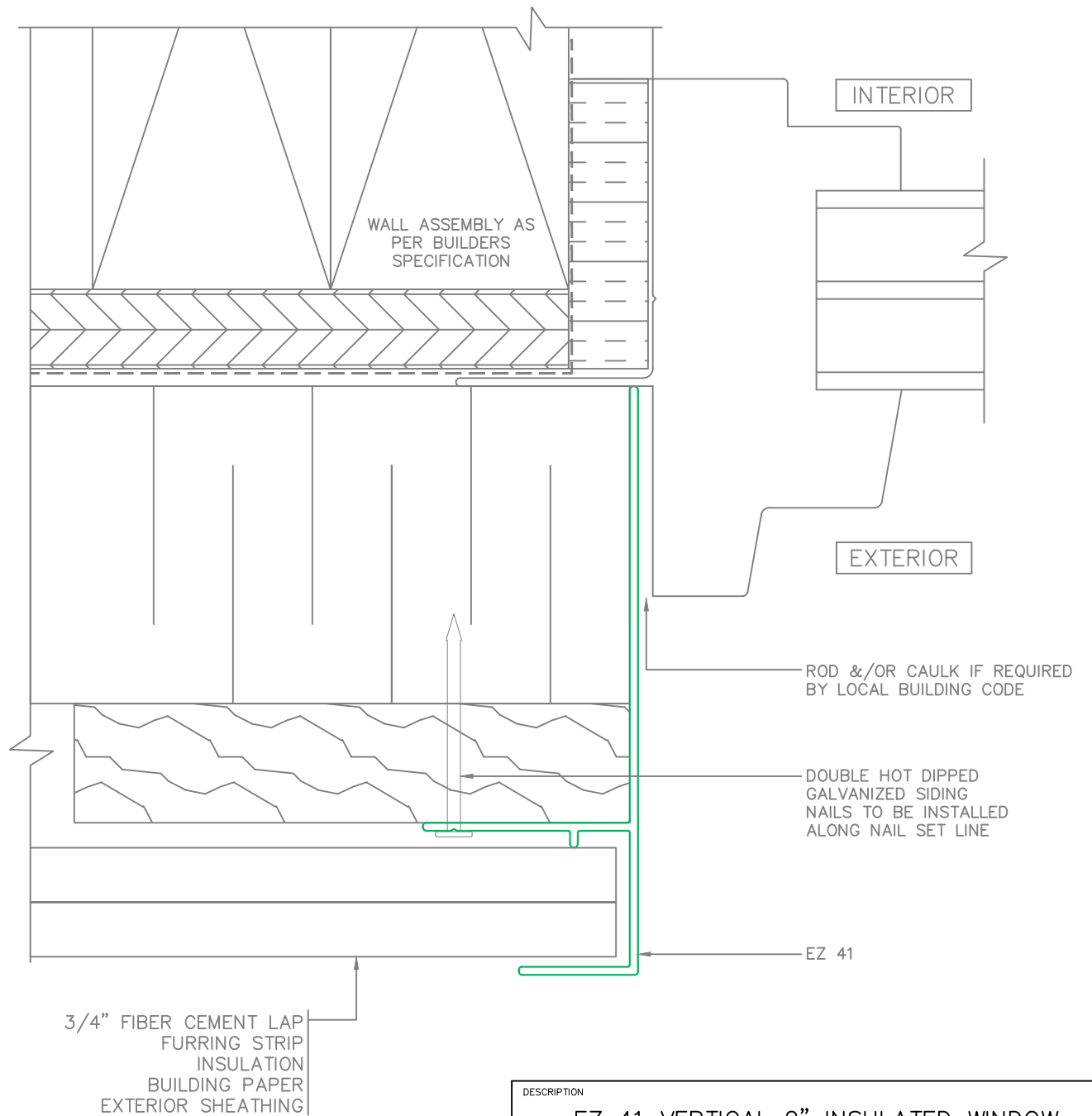
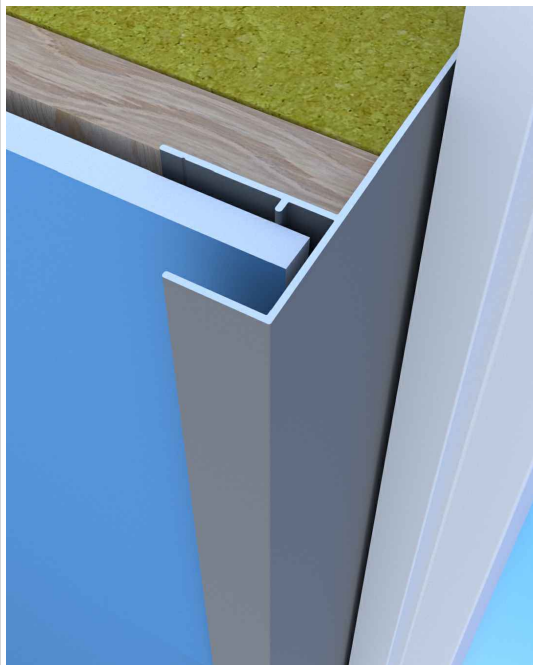
DESCRIPTION			
EZ 40 GENERAL J VERTICAL TERMINATION 3/4" TRIM			
	SCALE	NTS	DRAWING NUMBER
	DATE	NOV2023	EZ40.1
	DRWN BY	HJ/DDG	




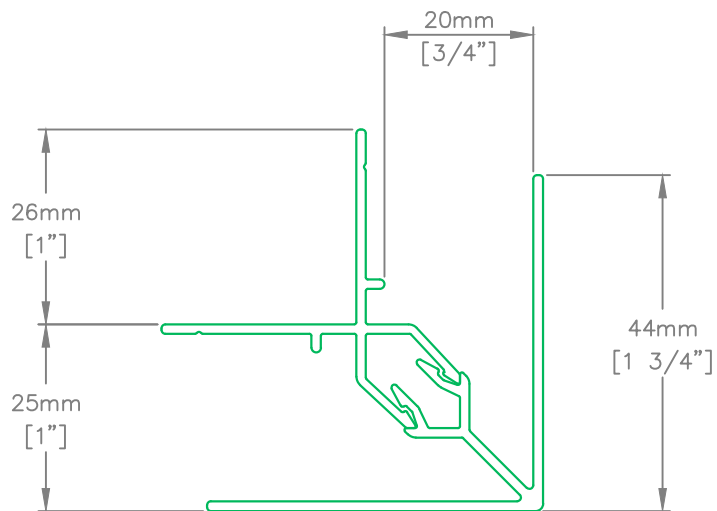
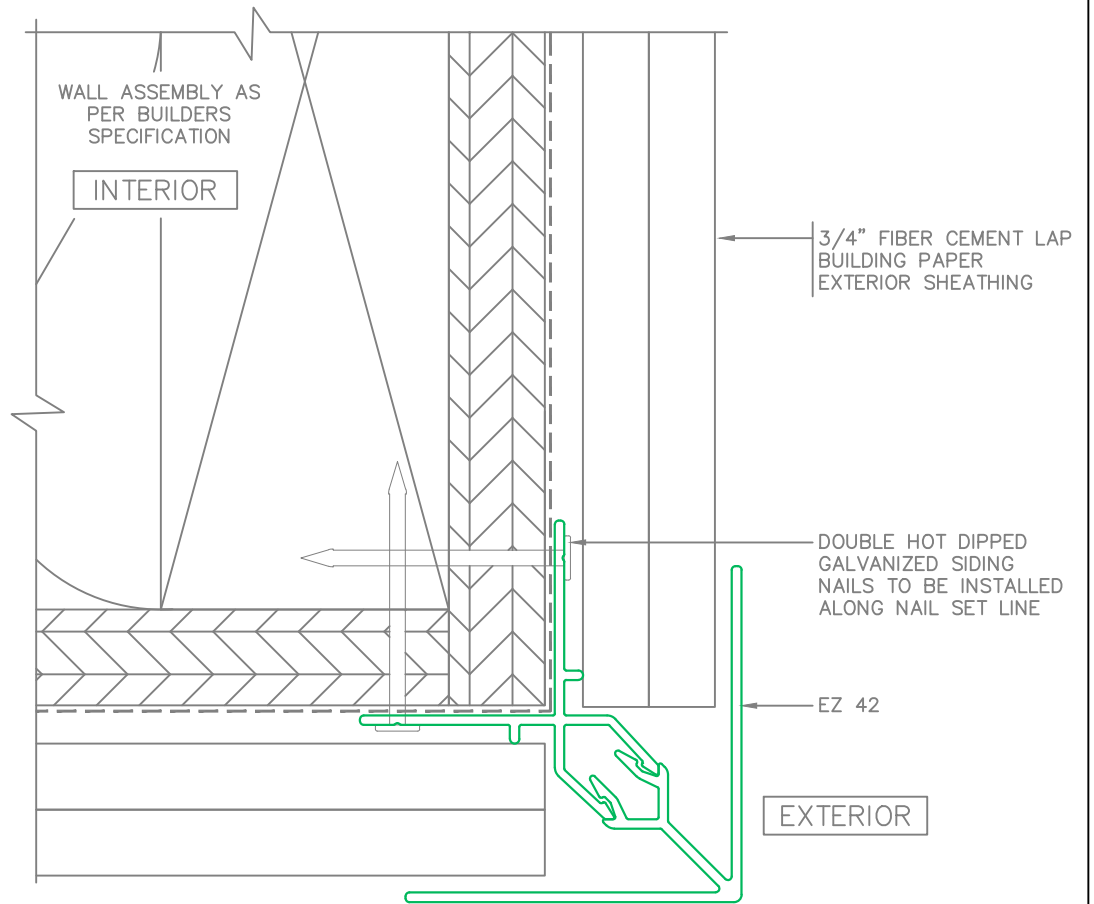
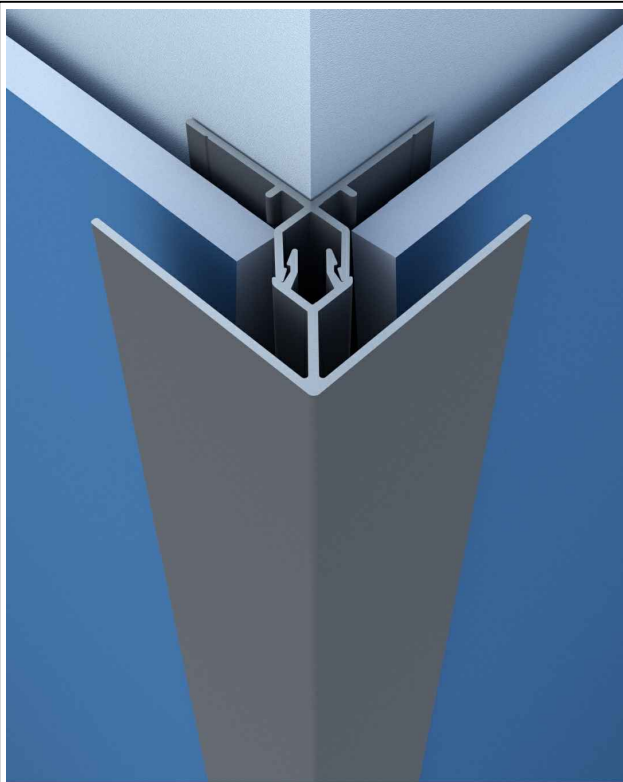
DESCRIPTION			
EZ 40 GENERAL J WINDOW JAMB 3/4" TRIM			
	SCALE	NTS	DRAWING NUMBER
	DATE	NOV2023	EZ40.2
	DRWN BY	HJ/DDG	




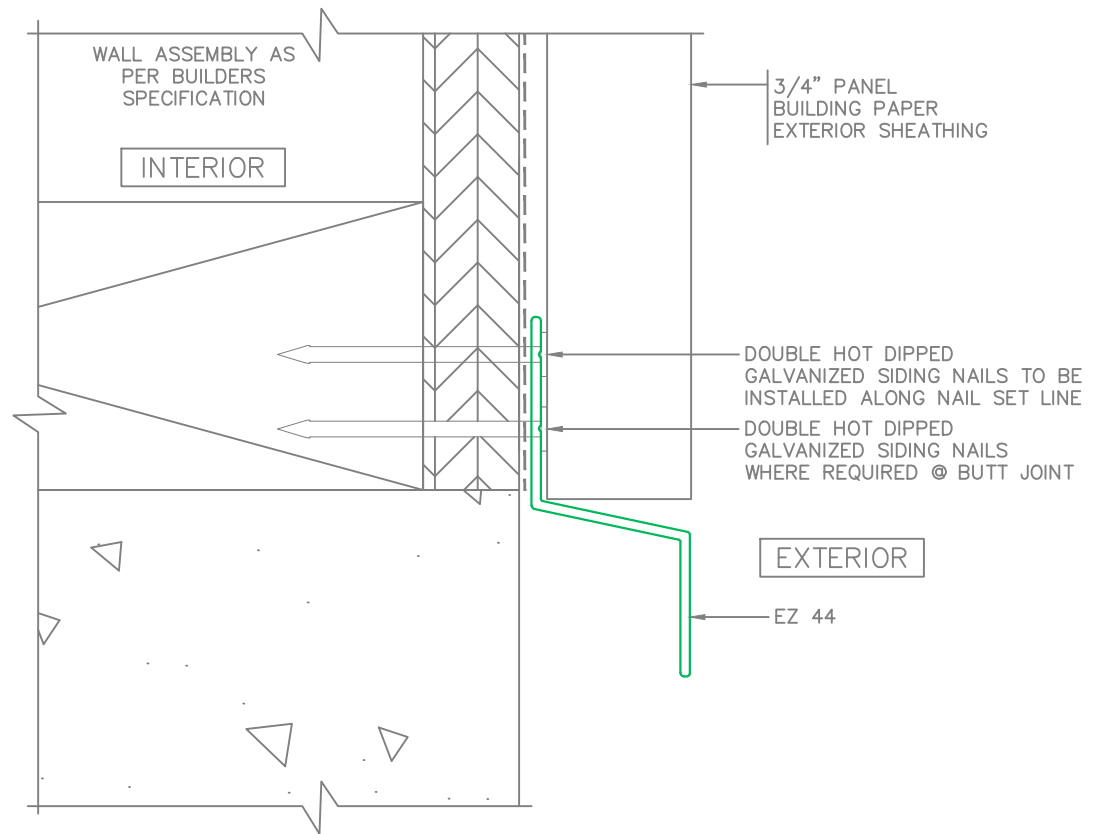
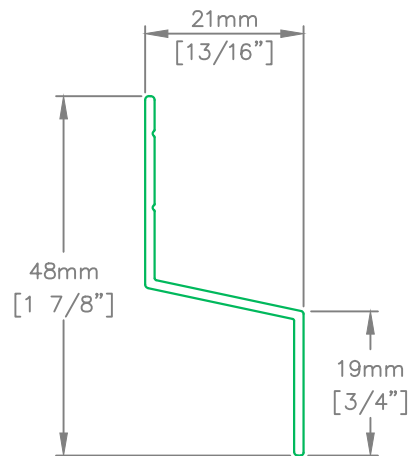
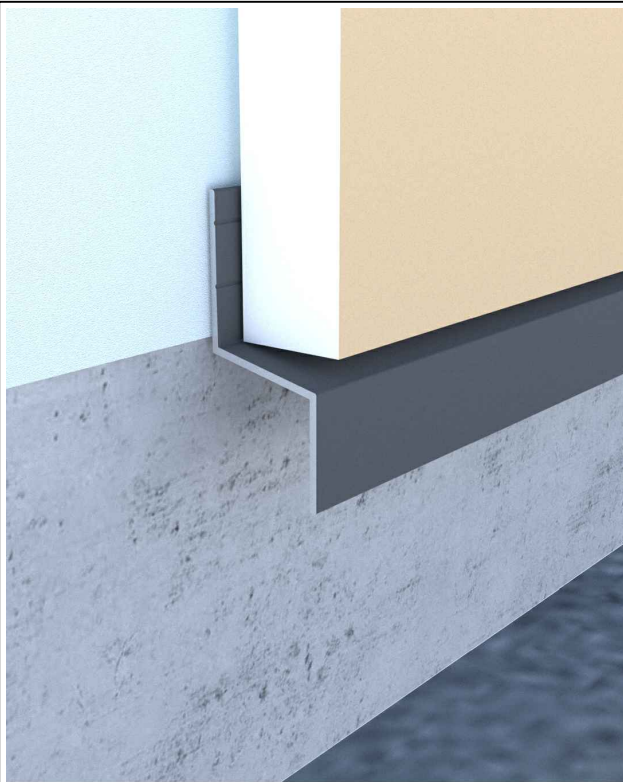
DESCRIPTION			
EZ 40 GENERAL J WINDOW SILL 3/4" TRIM			
	SCALE	NTS	DRAWING NUMBER
	DATE	NOV2023	EZ40.3
	DRWN BY	HJ/DDG	



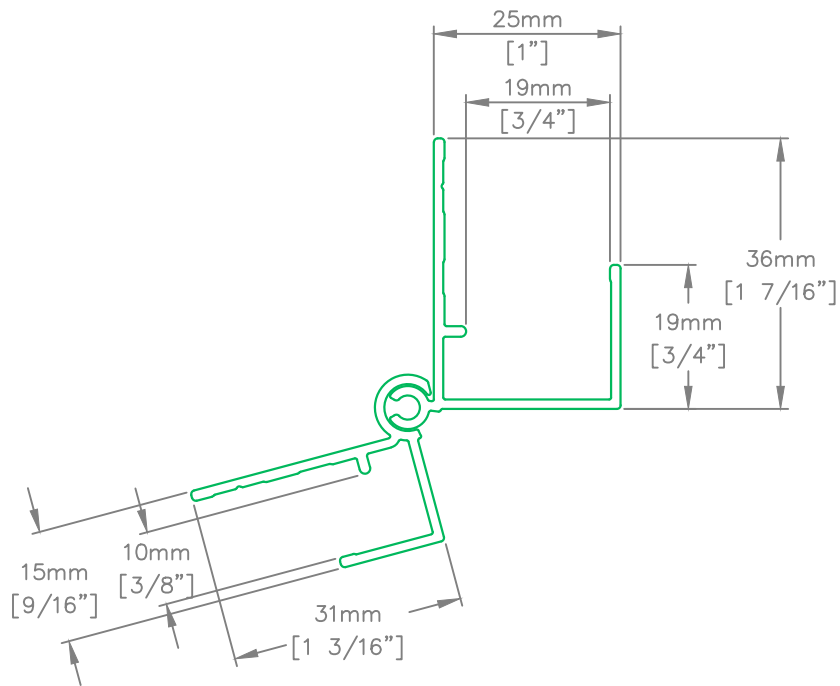
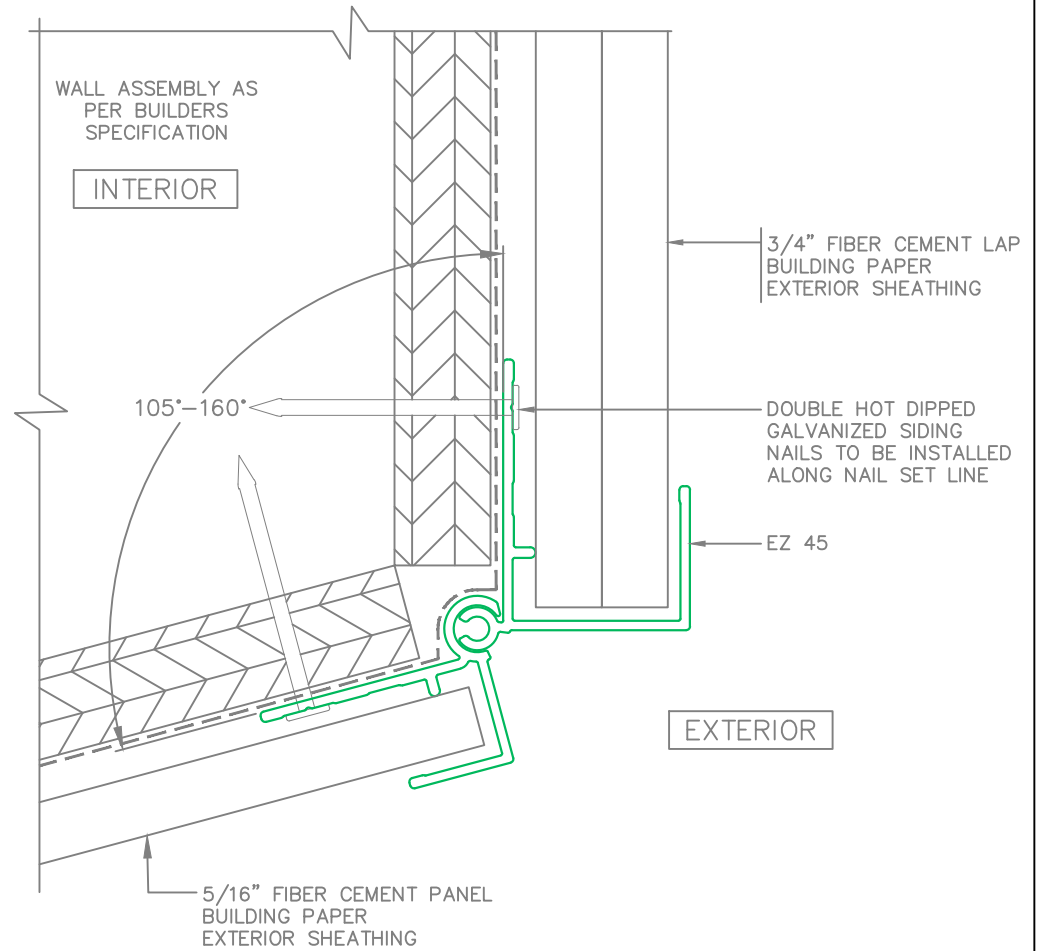
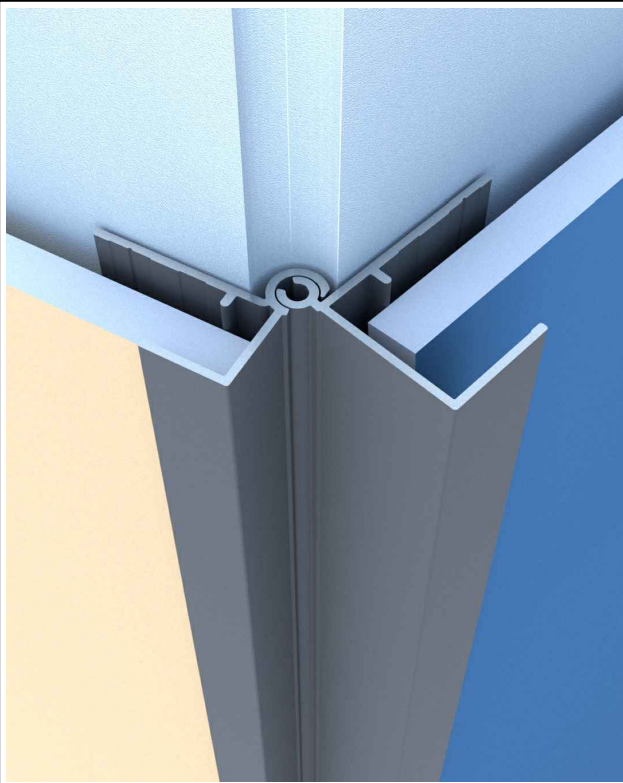
DESCRIPTION			
EZ 41 VERTICAL 2" INSULATED WINDOW & DOOR JAMB 3/4" TRIM			
	SCALE	NTS	DRAWING NUMBER
	DATE	NOV2023	EZ41.1
DRWN BY	HJ/DDG		




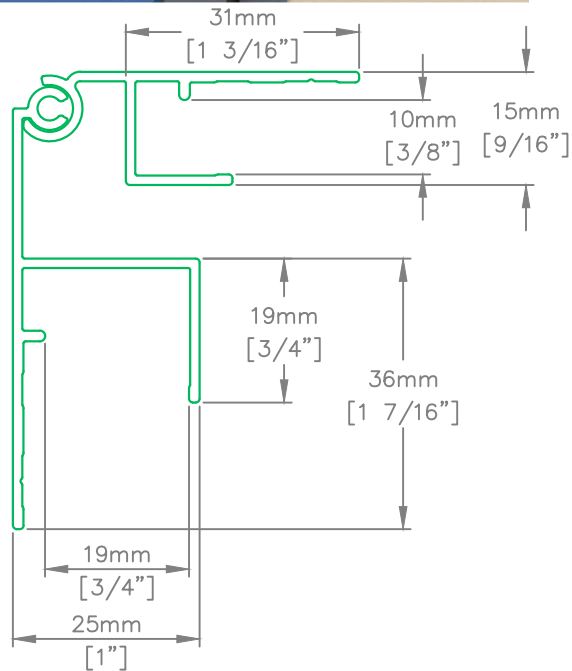
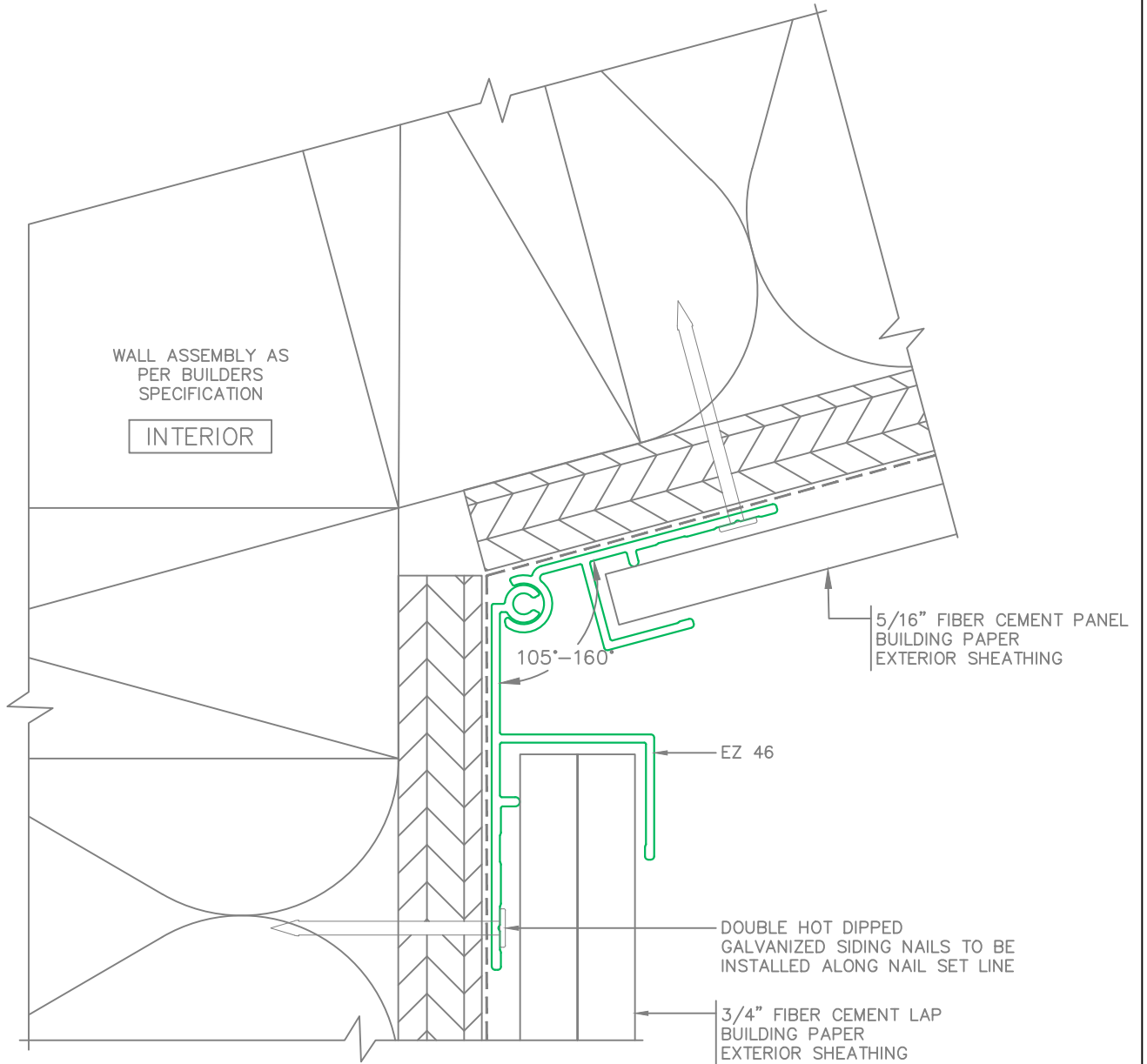
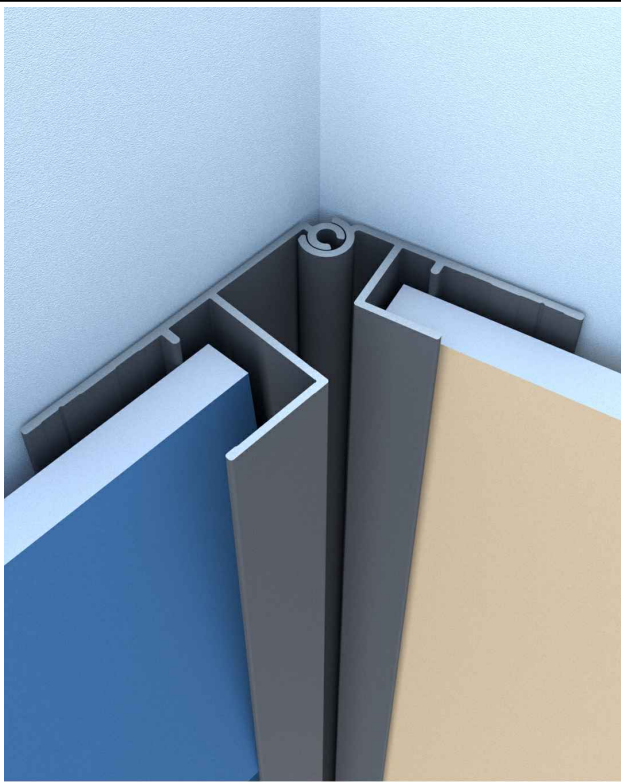
DESCRIPTION			
EZ 42 2-PIECE ARROW OUTSIDE CORNER 3/4" TRIM			
	SCALE	NTS	DRAWING NUMBER
	DATE	NOV2023	EZ42.1
	DRWN BY	HJ/DDG	




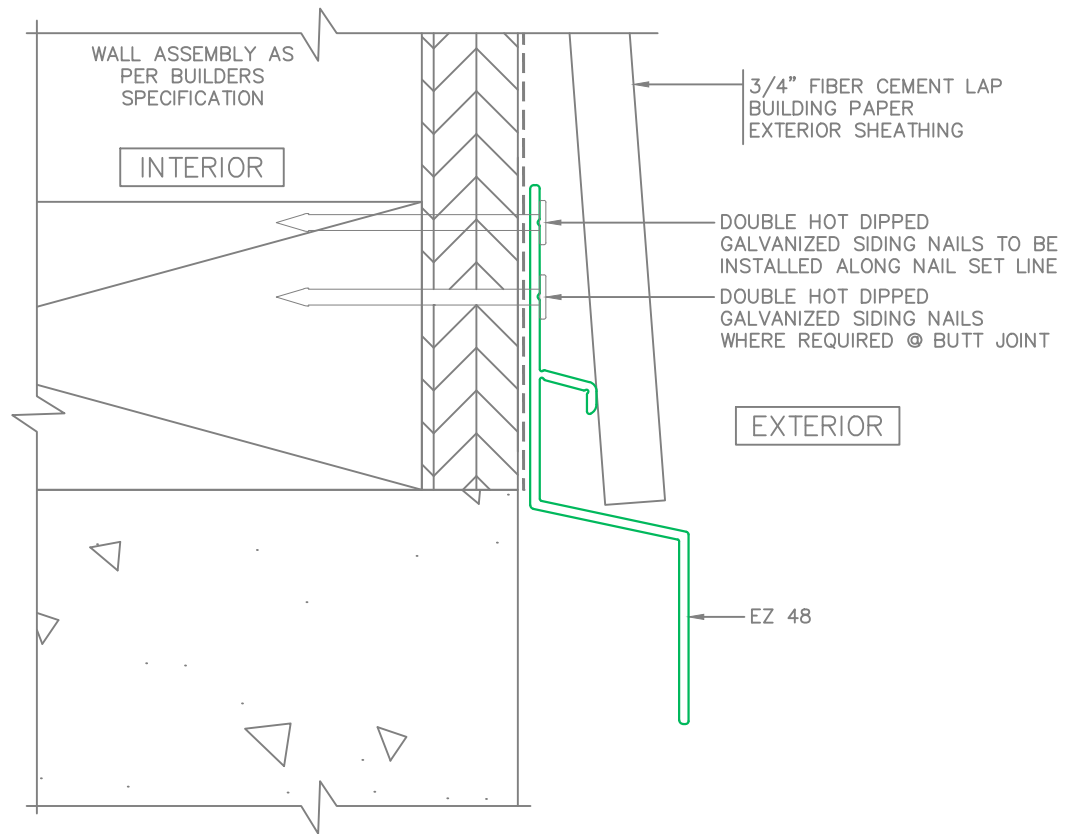
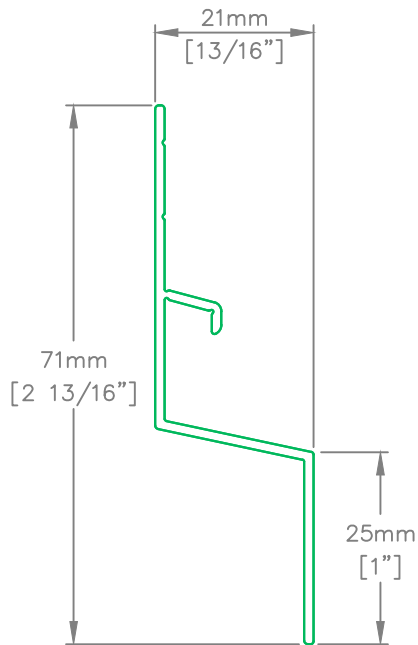
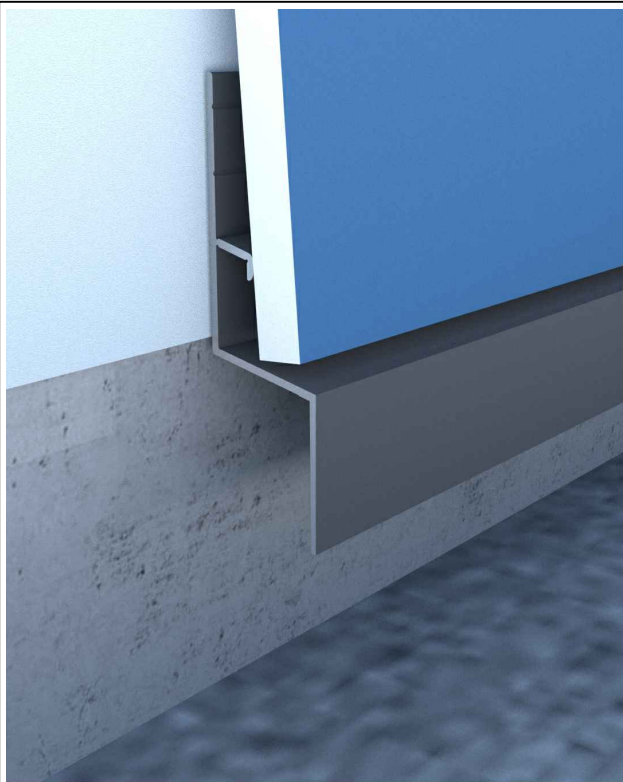
DESCRIPTION			
EZ 44 HORIZONTAL Z 3/4" TRIM			
	SCALE	NTS	DRAWING NUMBER
	DATE	NOV2023	EZ44.1
	DRWN BY	HJ/DDG	




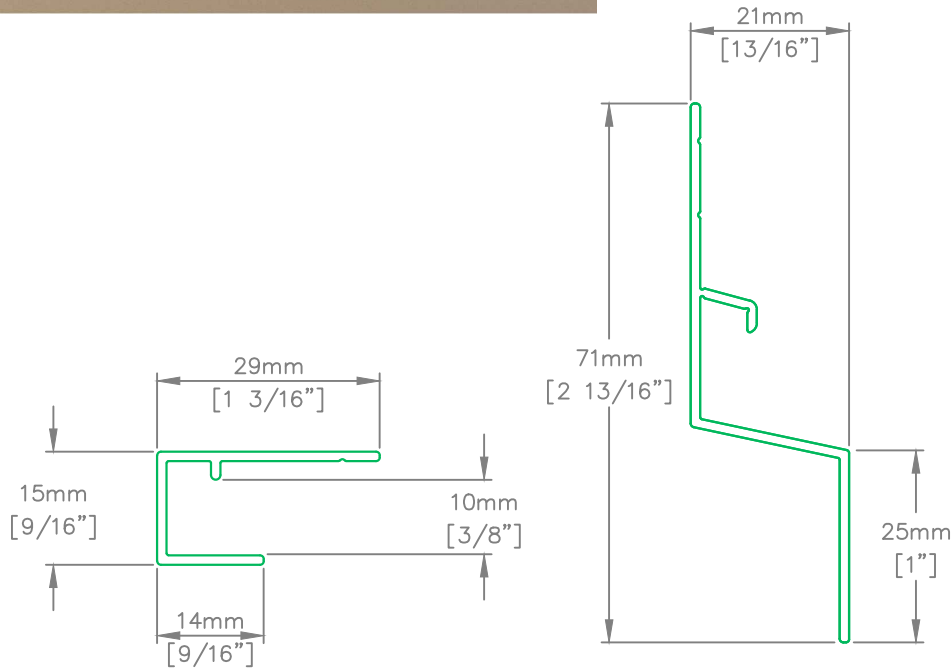
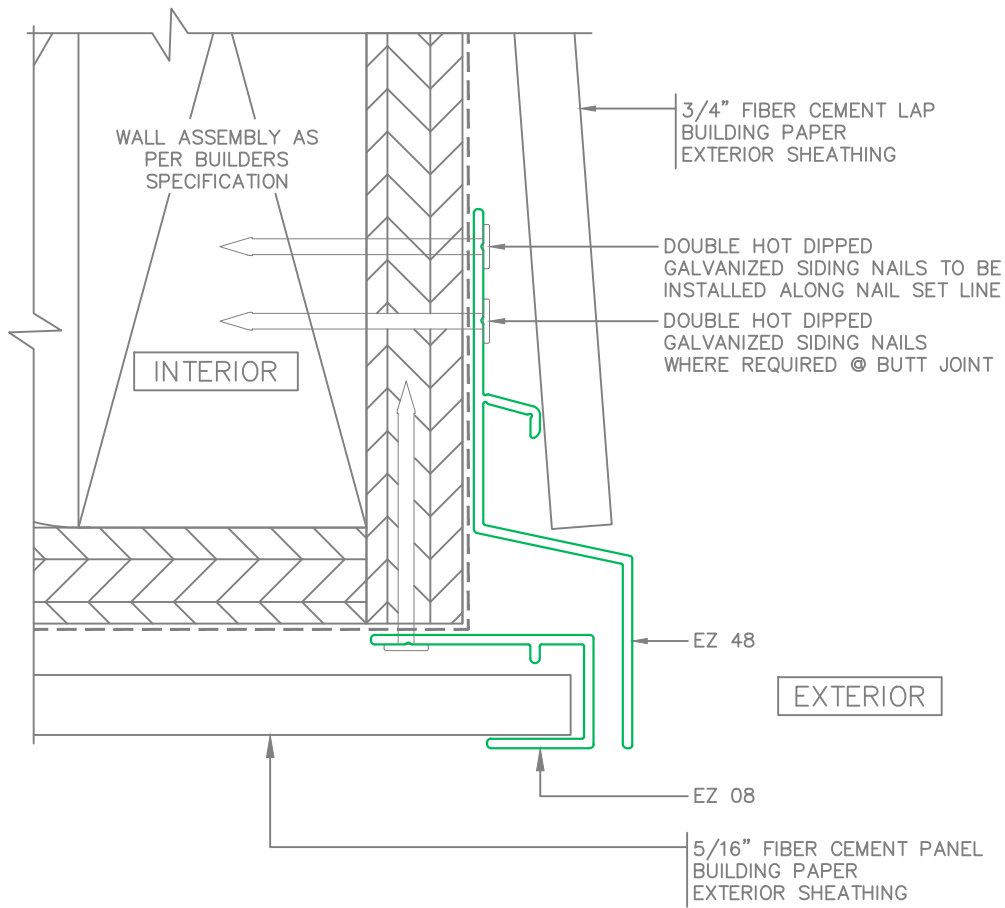
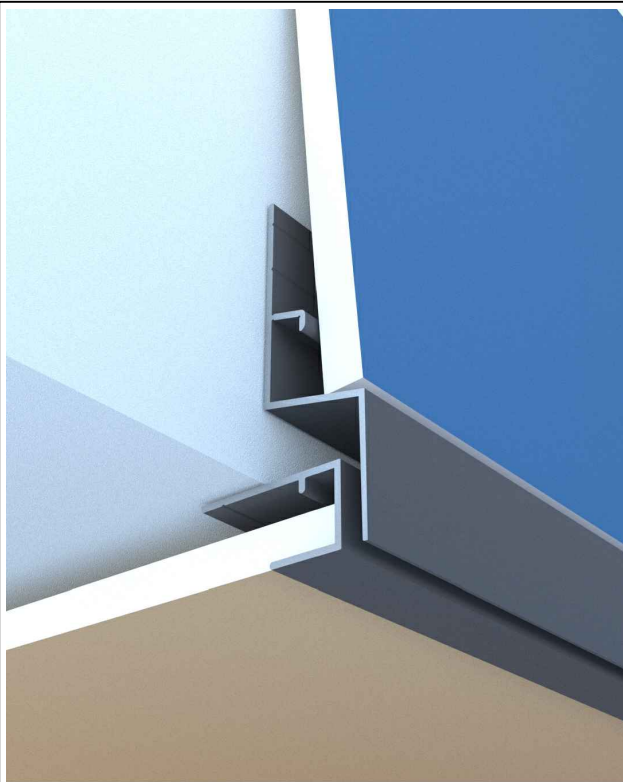
DESCRIPTION			
EZ 45 MULTI-ANGLE (105°-160°) OUTSIDE CORNER 5/16" TO 3/4" TRANSITION TRIM			
	SCALE	NTS	DRAWING NUMBER
	DATE	NOV2023	EZ45.1
	DRWN BY	HJ/DDG	




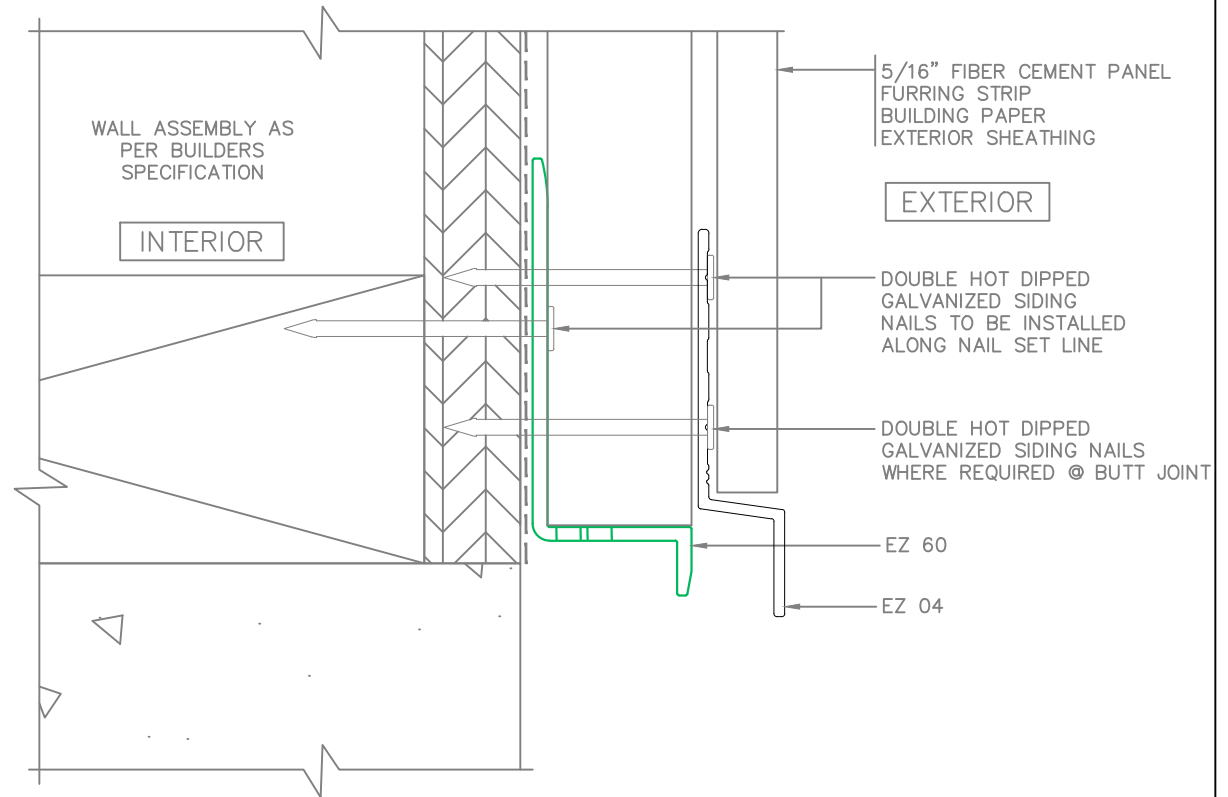
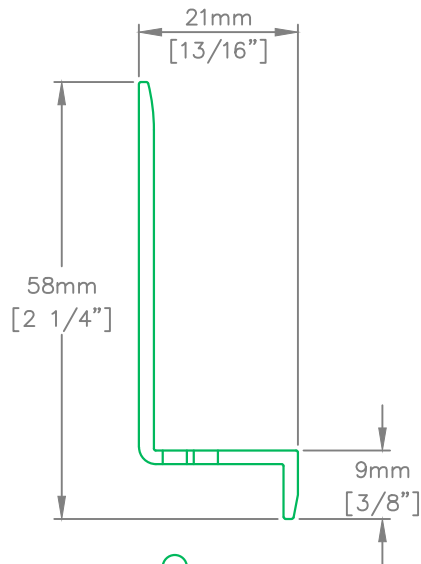
DESCRIPTION			
EZ 46 MULTI-ANGLE (105°-160°) INSIDE CORNER 5/16" TO 3/4" TRANSITION TRIM			
	SCALE	NTS	DRAWING NUMBER
	DATE	NOV2023	EZ46.1
	DRWN BY	HJ/DDG	



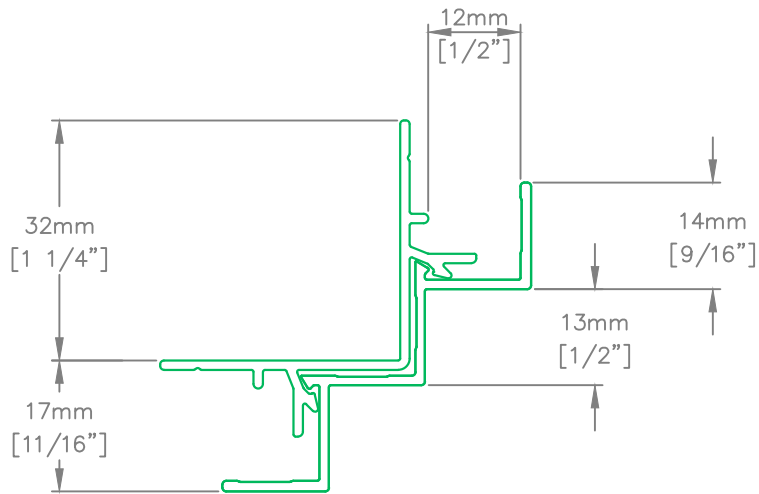
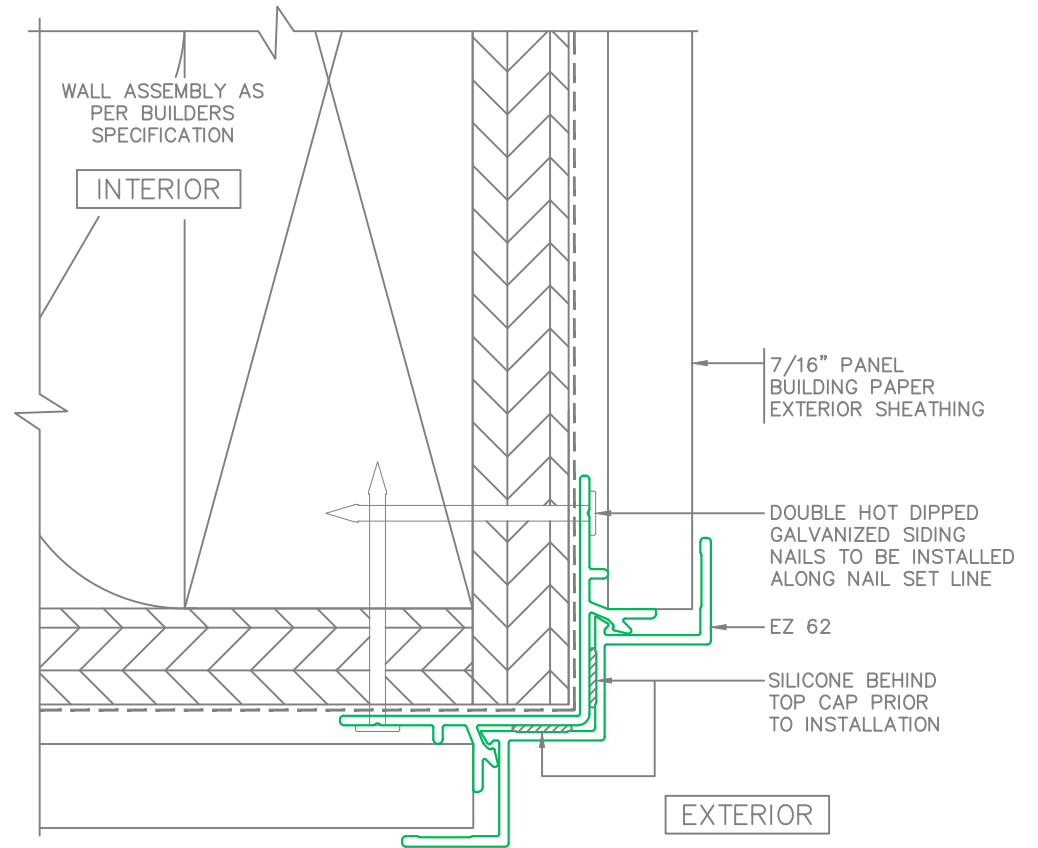
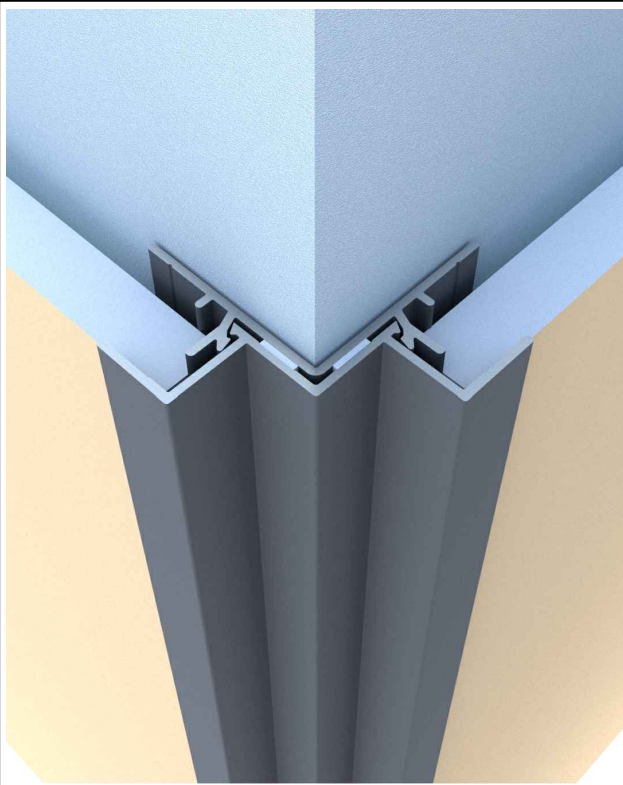
DESCRIPTION			
EZ 48 HORIZONTAL BASE Z STARTER 3/4" TRIM			
	SCALE	NTS	DRAWING NUMBER
	DATE	NOV2023	EZ48.1
	DRWN BY	HJ/DDG	




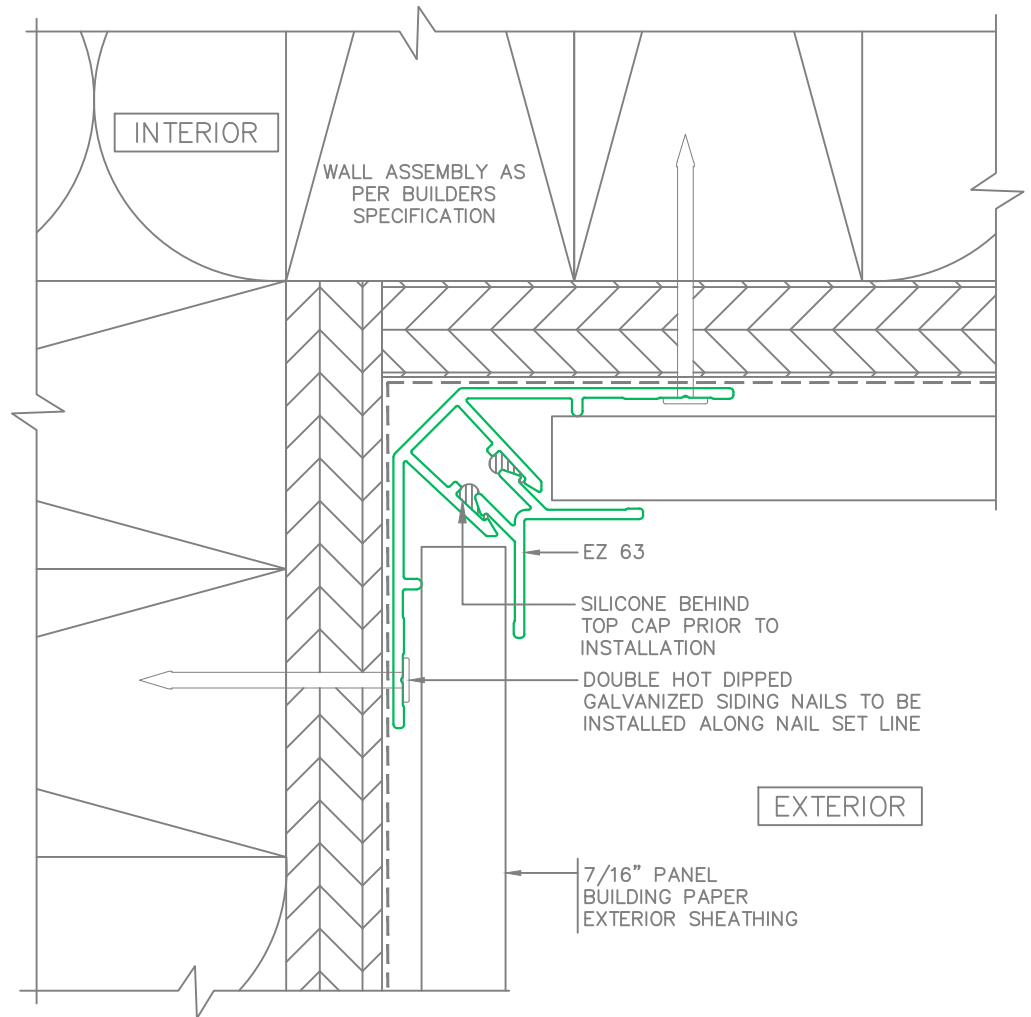
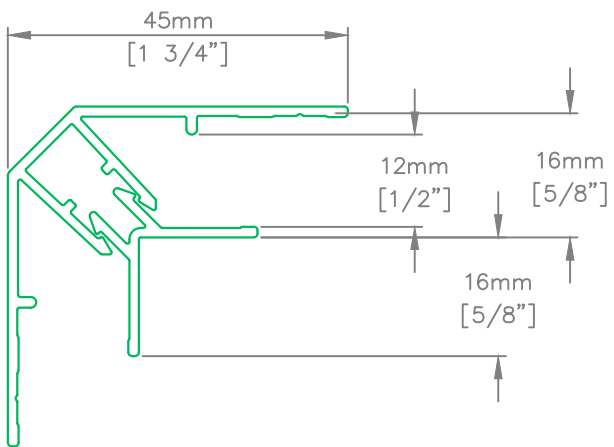
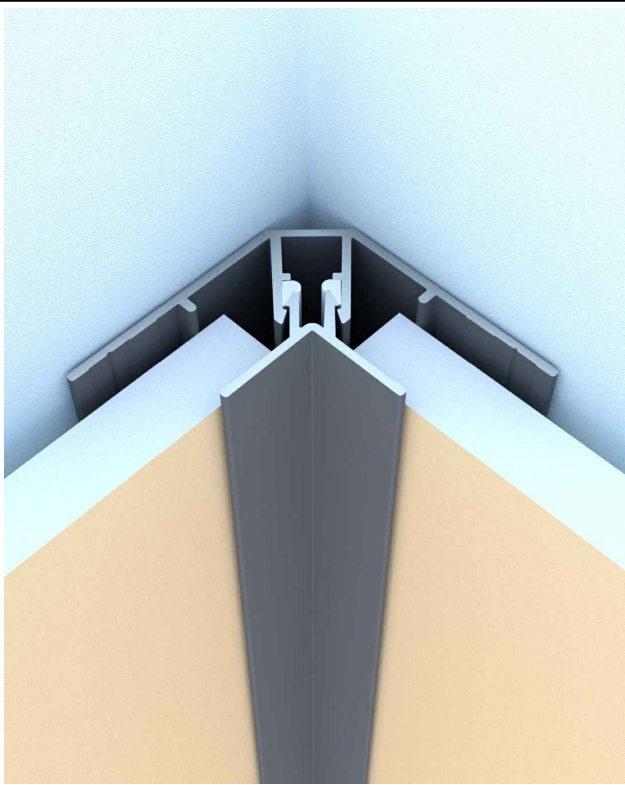
DESCRIPTION			
EZ 48 HORIZONTAL BASE Z 3/4" LAP FASCIA W/ EZ 08 GENERAL J 5/16" SOFFIT DETAIL			
	SCALE	NTS	DRAWING NUMBER
	DATE	NOV2023	EZ48.2
	DRWN BY	HJ/DDG	




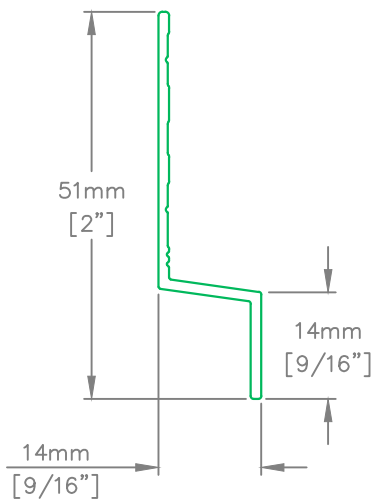
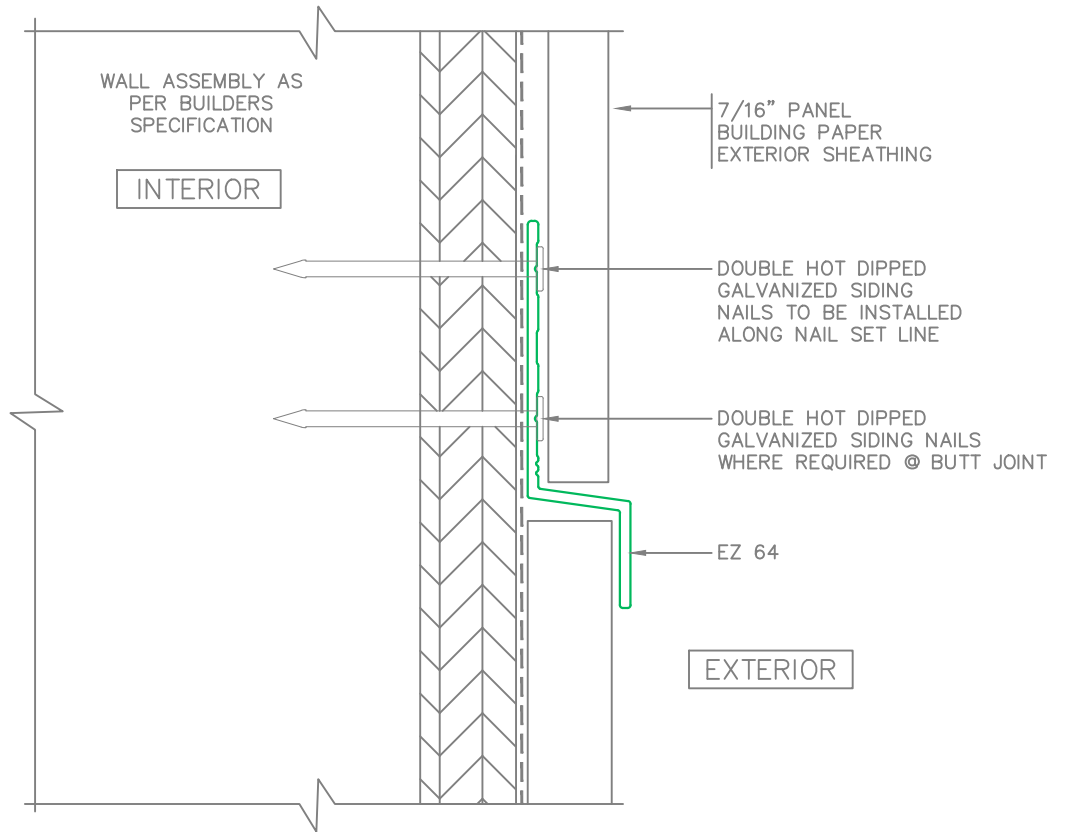
DESCRIPTION			
EZ 60 PERFORATED VENTED STARTER STRIP (VINYL) DETAIL			
	SCALE	NTS	DRAWING NUMBER
	DATE	NOV2023	EZ60.1
	DRWN BY	HJ/DDG	




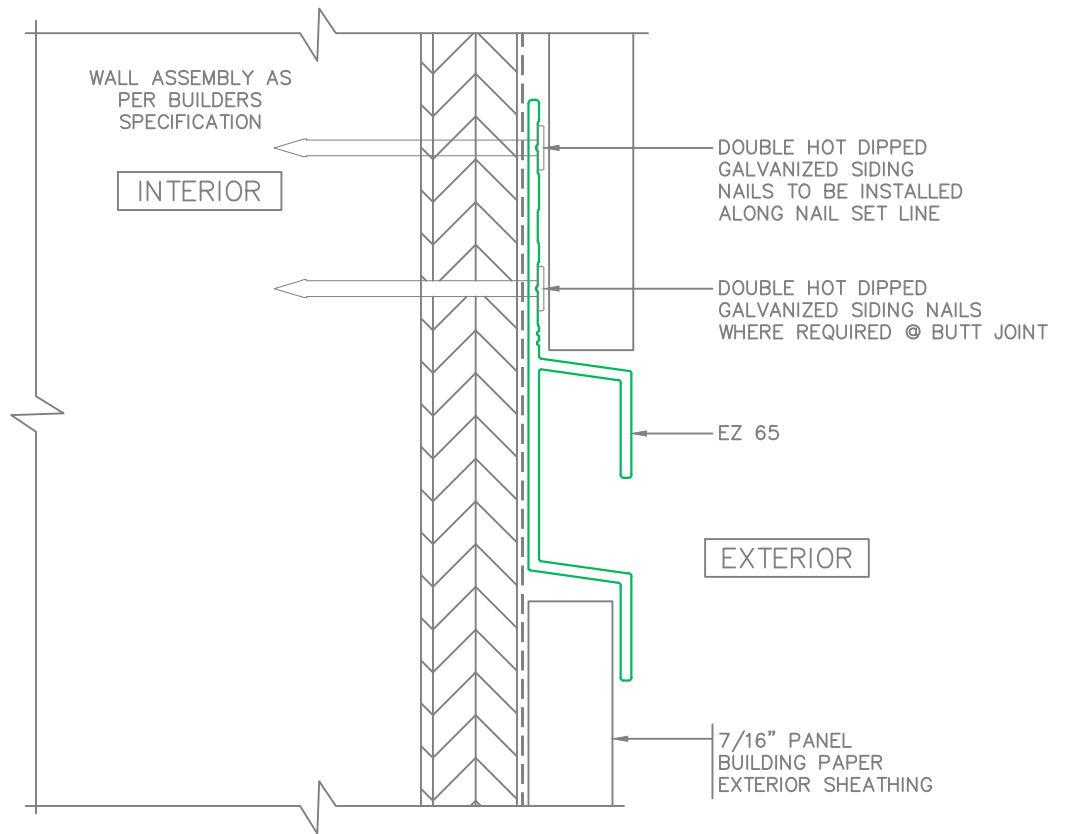
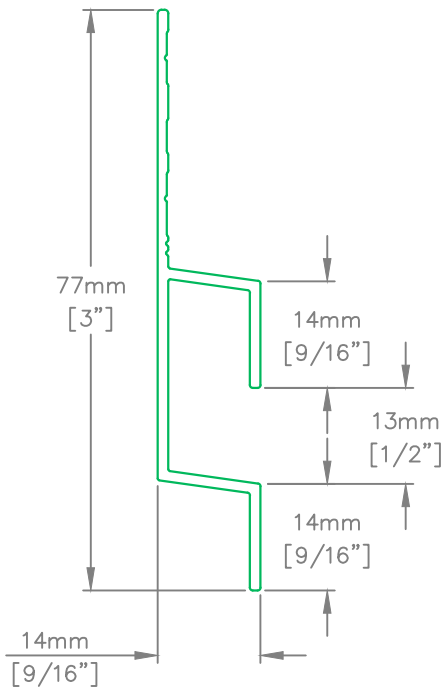
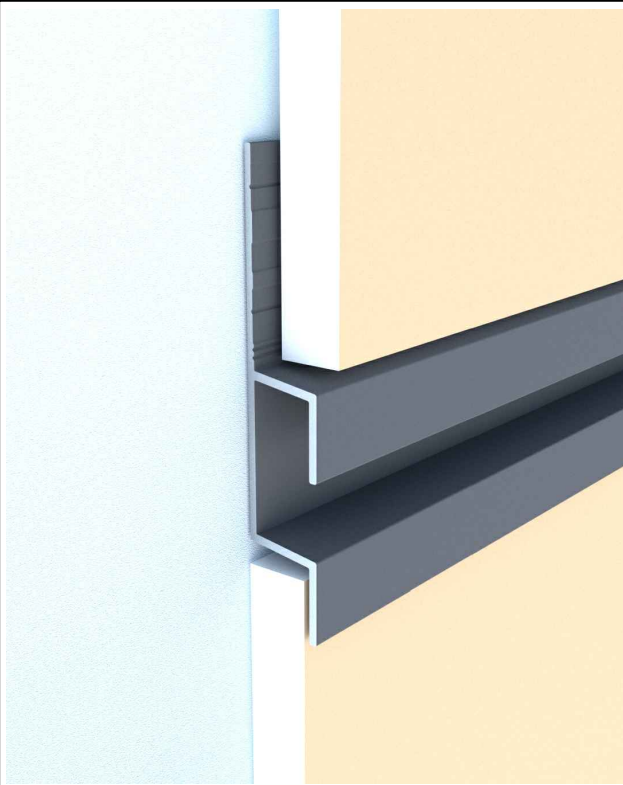
DESCRIPTION			
EZ 62 2-PIECE SQUARE OUTSIDE CORNER 7/16" PANEL DETAIL			
	SCALE	NTS	DRAWING NUMBER
	DATE	NOV2023	EZ62.1
	DRWN BY	HJ/DDG	




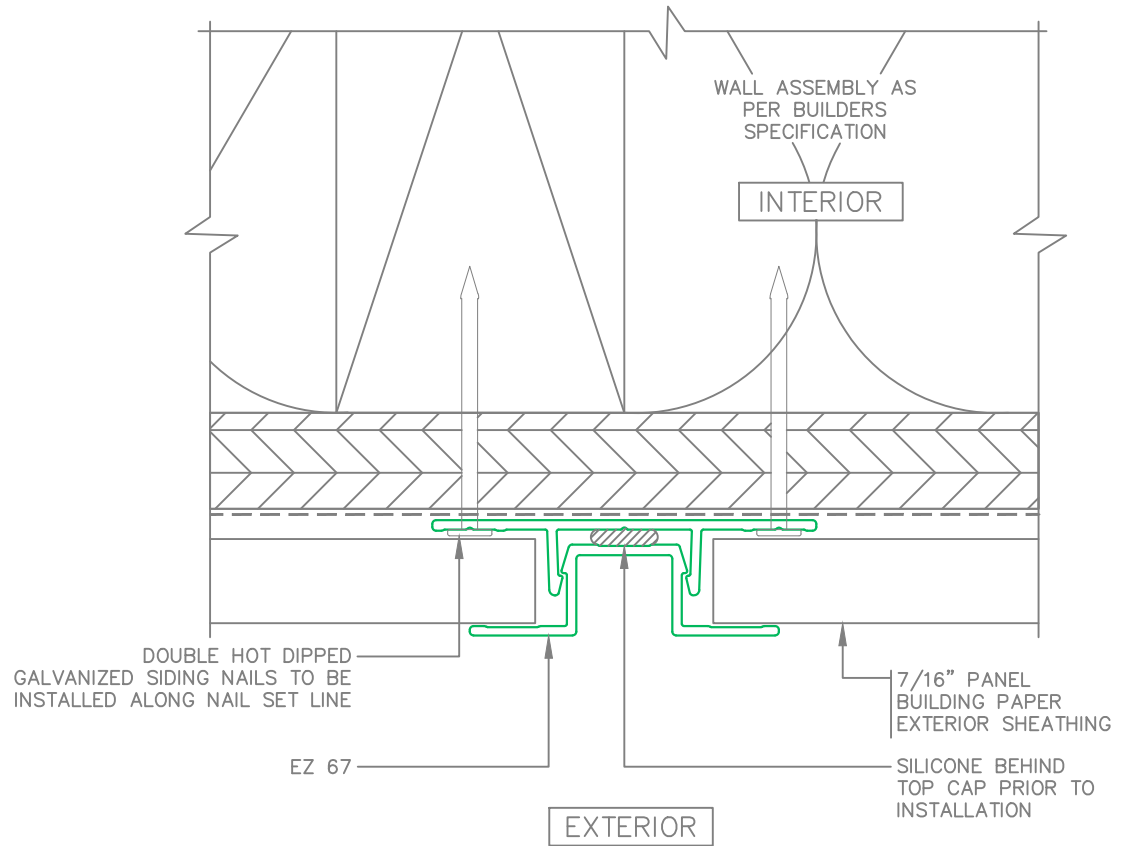
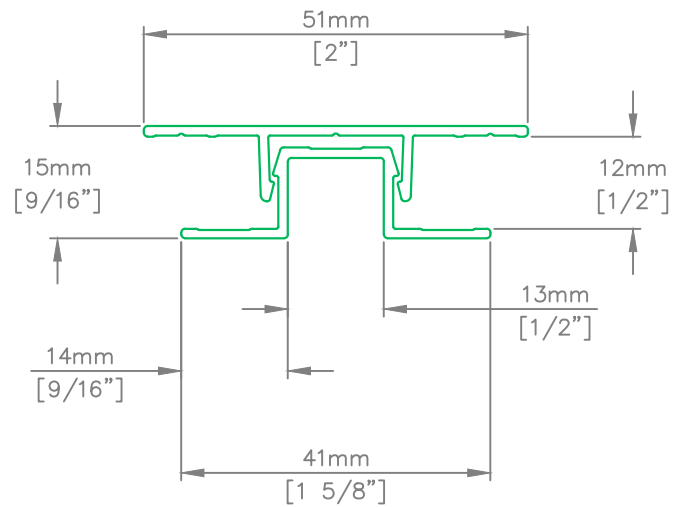
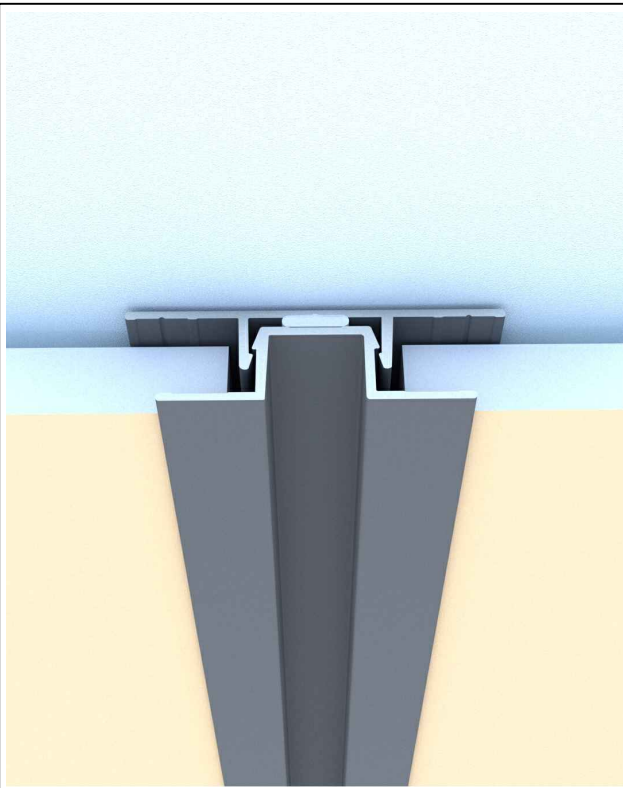
DESCRIPTION			
EZ 63 2-PIECE INSIDE CORNER 7/16" PANEL DETAIL			
	SCALE	NTS	DRAWING NUMBER
	DATE	NOV2023	EZ63.1
	DRWN BY	HJ/DDG	




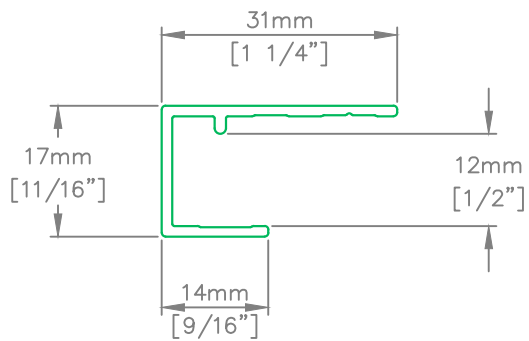
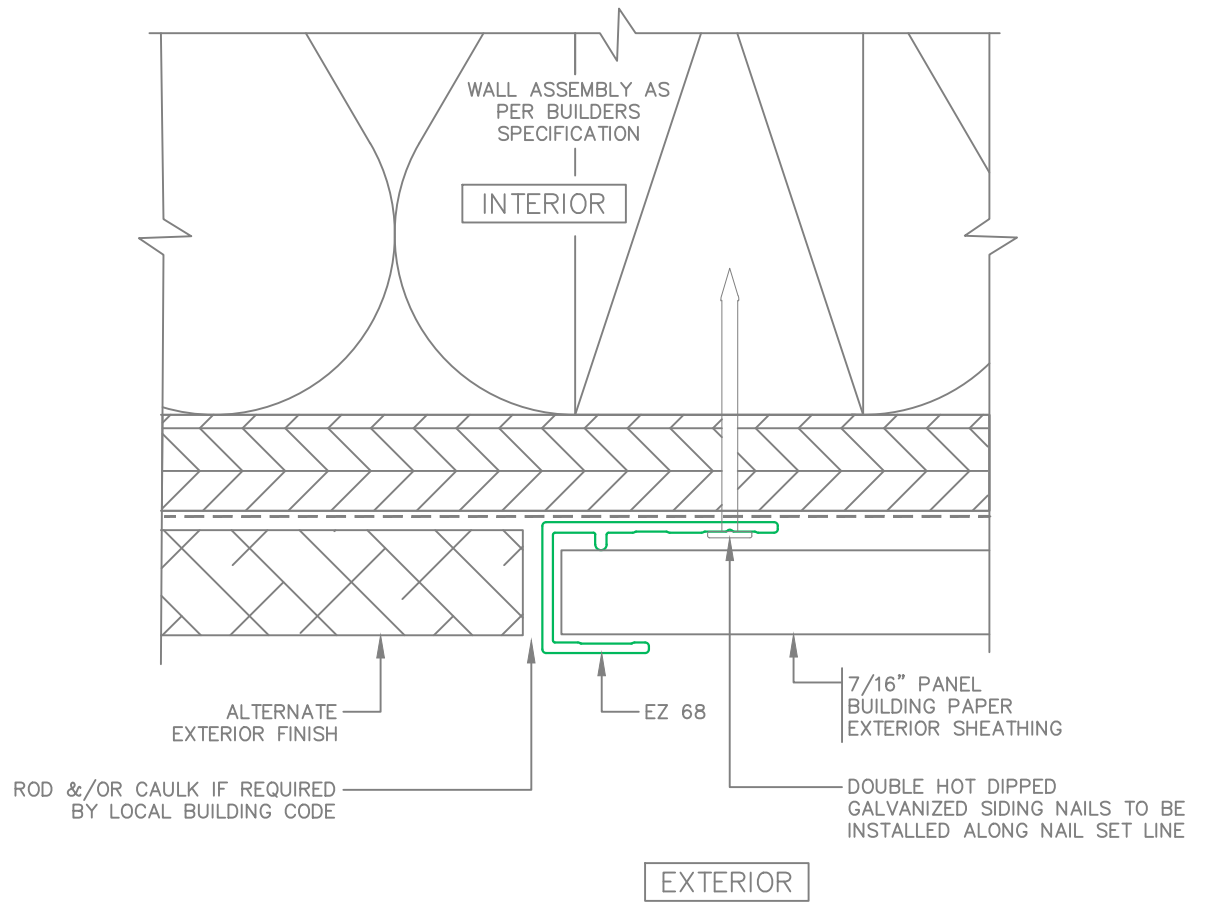
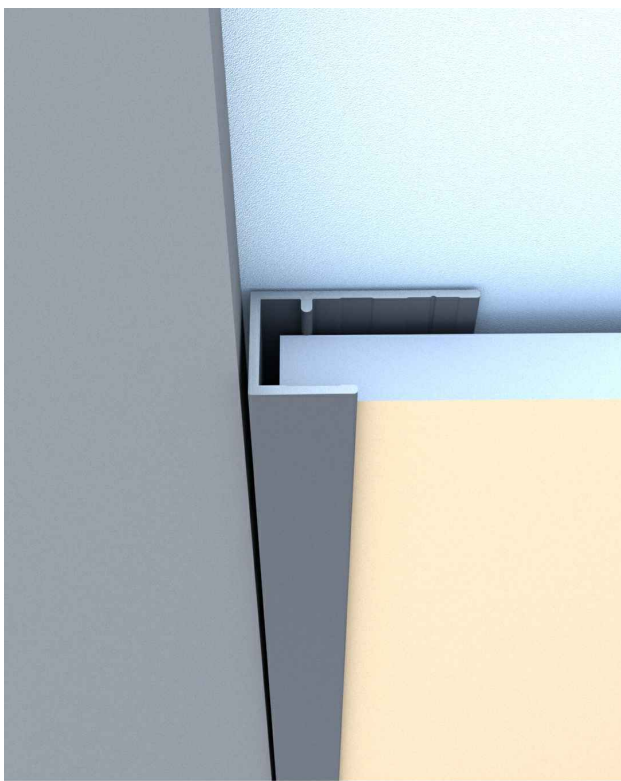
DESCRIPTION			
EZ 64 HORIZONTAL Z 7/16" PANEL DETAIL			
	SCALE	NTS	DRAWING NUMBER
	DATE	NOV2023	EZ64.1
	DRWN BY	HJ/DDG	



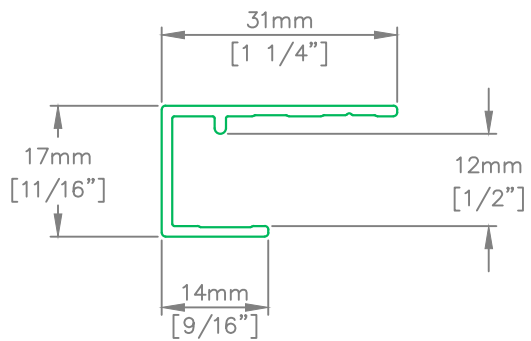
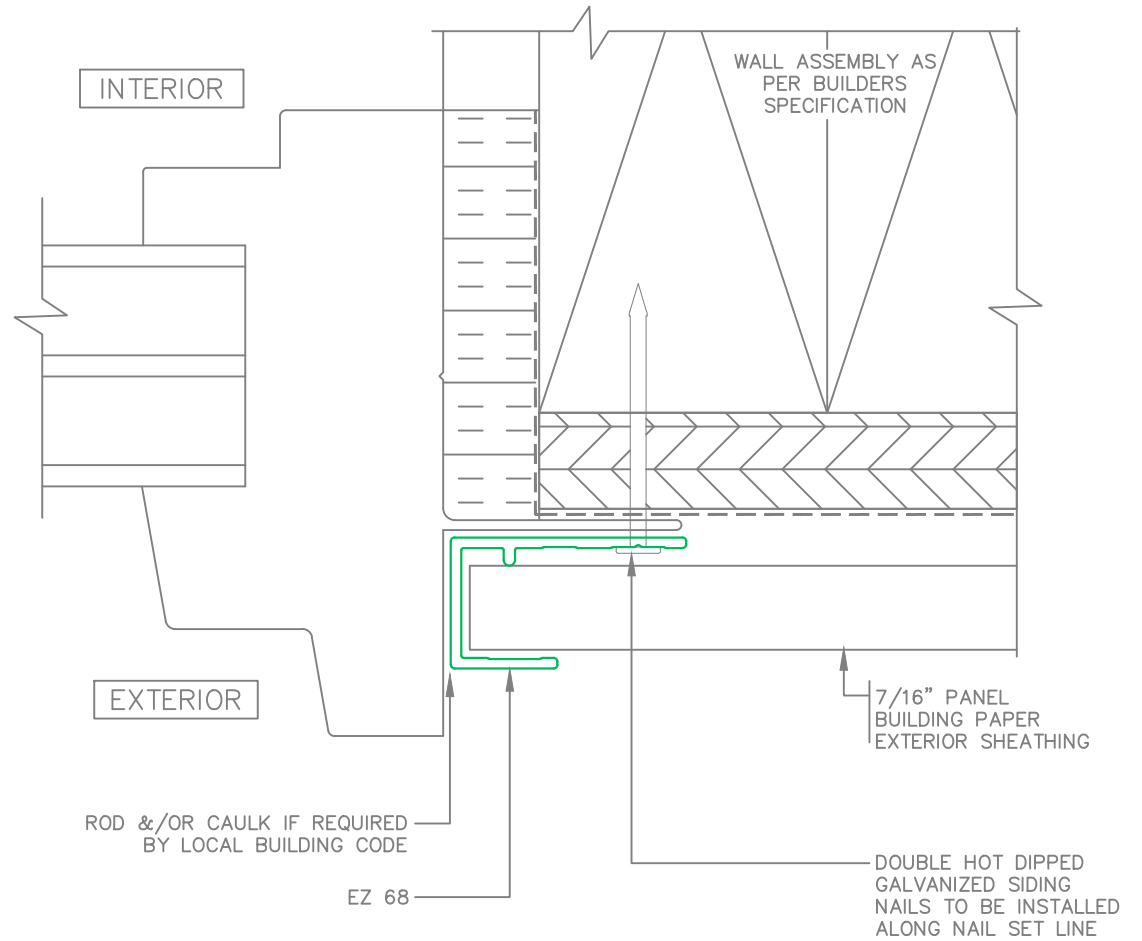
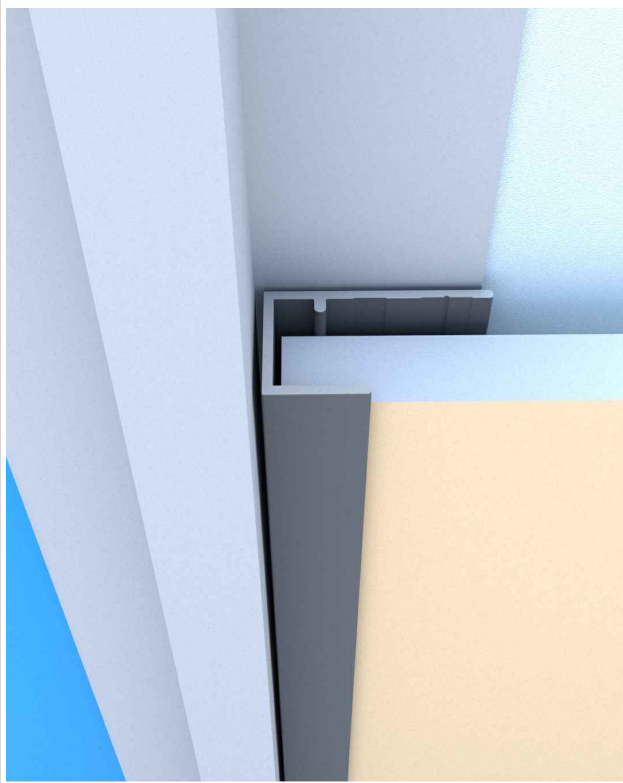
DESCRIPTION			
EZ 65 HORIZONTAL H 7/16" PANEL DETAIL			
	SCALE	NTS	DRAWING NUMBER
	DATE	NOV2023	EZ65.1
	DRWN BY	HJ/DDG	



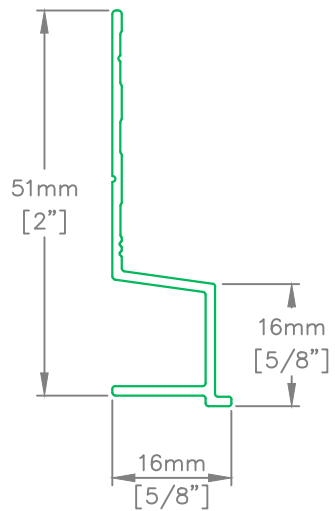
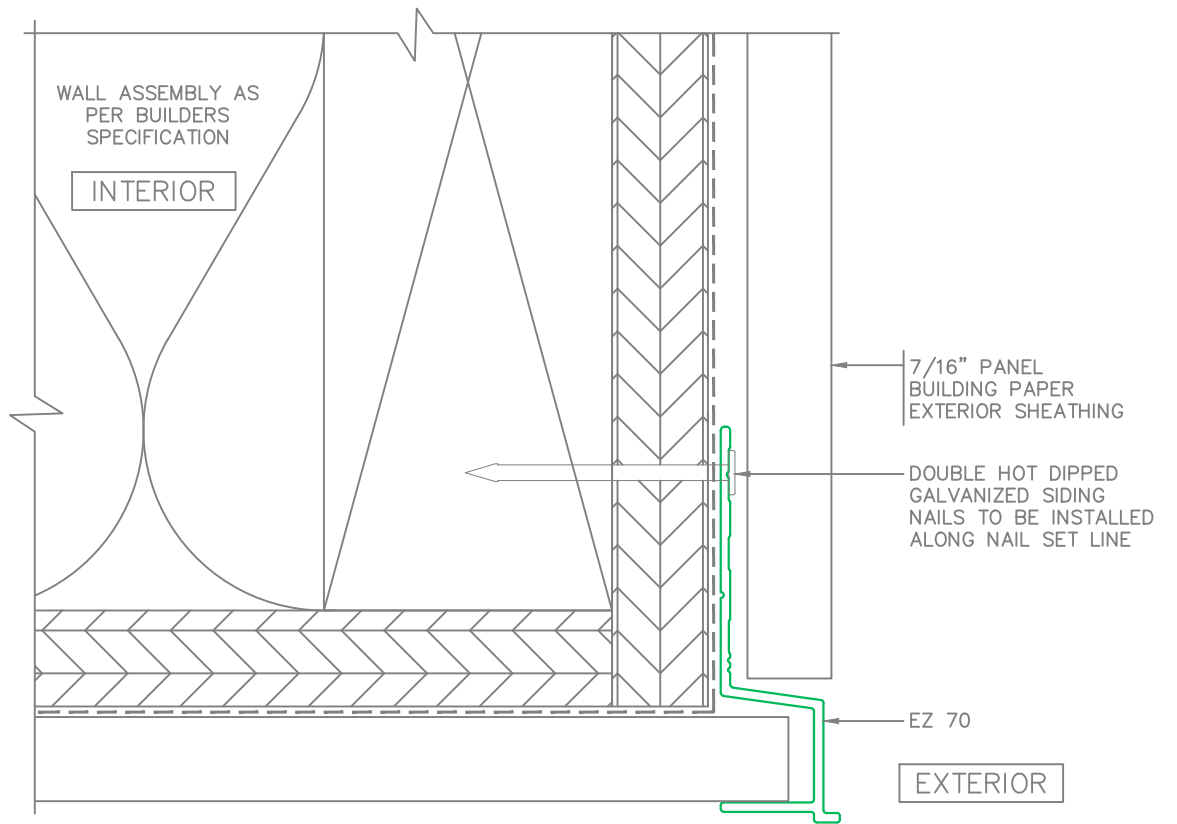
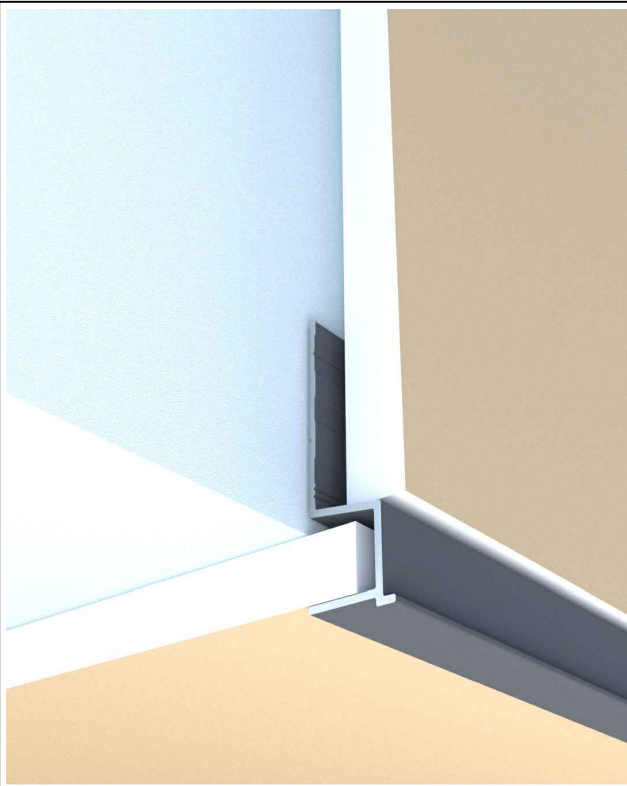
DESCRIPTION			
EZ 67 2-PIECE VERTICAL U 7/16" PANEL DETAIL			
	SCALE	NTS	DRAWING NUMBER
	DATE	NOV2023	EZ67.1
	DRWN BY	HJ/DDG	



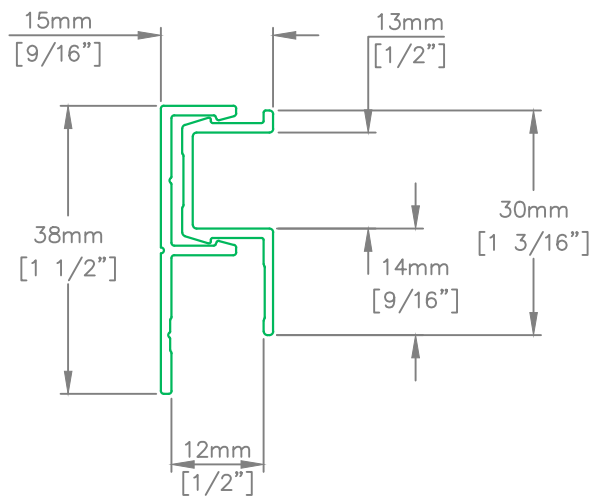
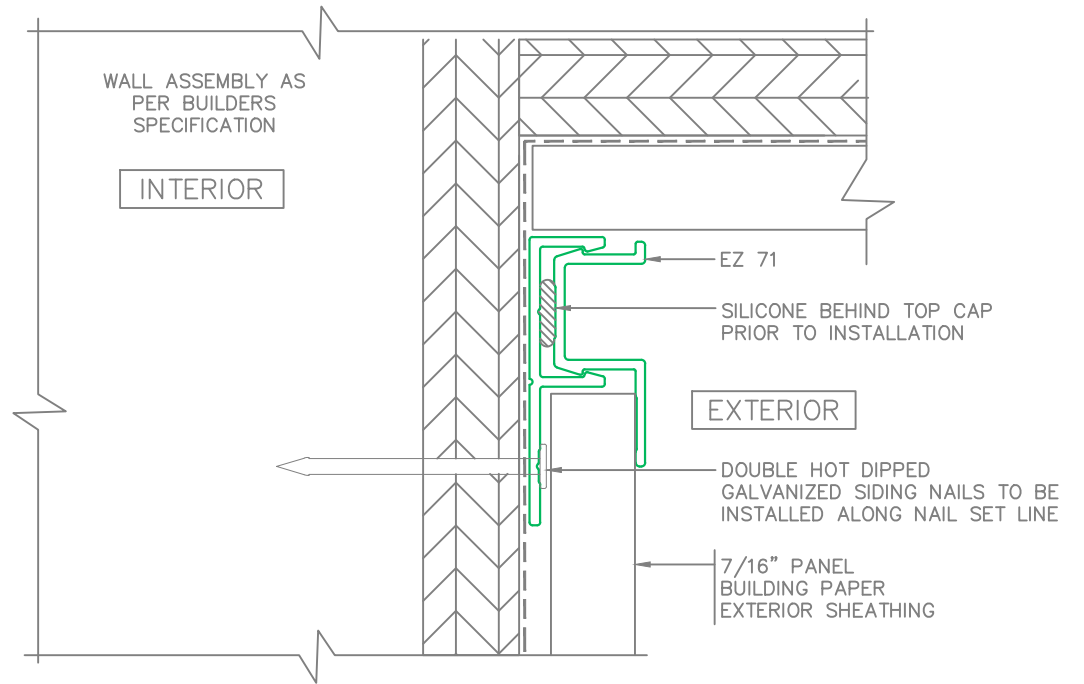
DESCRIPTION			
EZ 68 GENERAL J VERTICAL TERMINATION 7/16" TRIM			
	SCALE	NTS	DRAWING NUMBER
	DATE	NOV2023	EZ68.1
	DRWN BY	HJ/DDG	




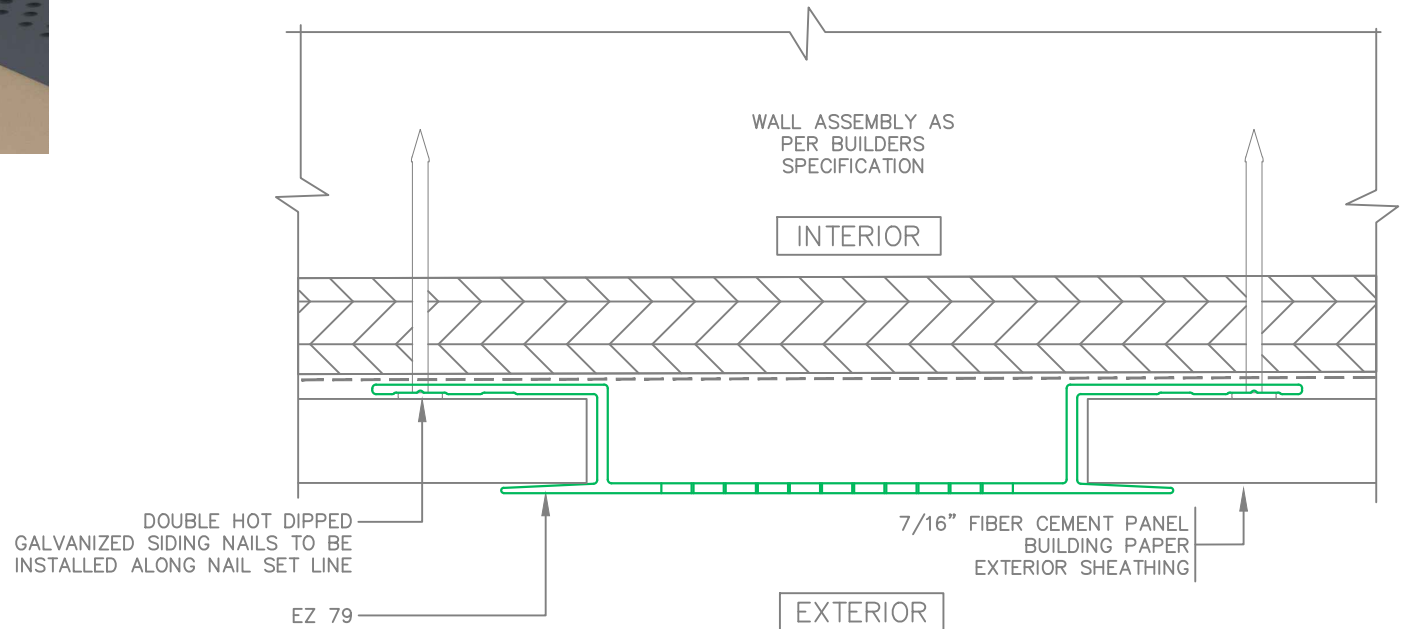
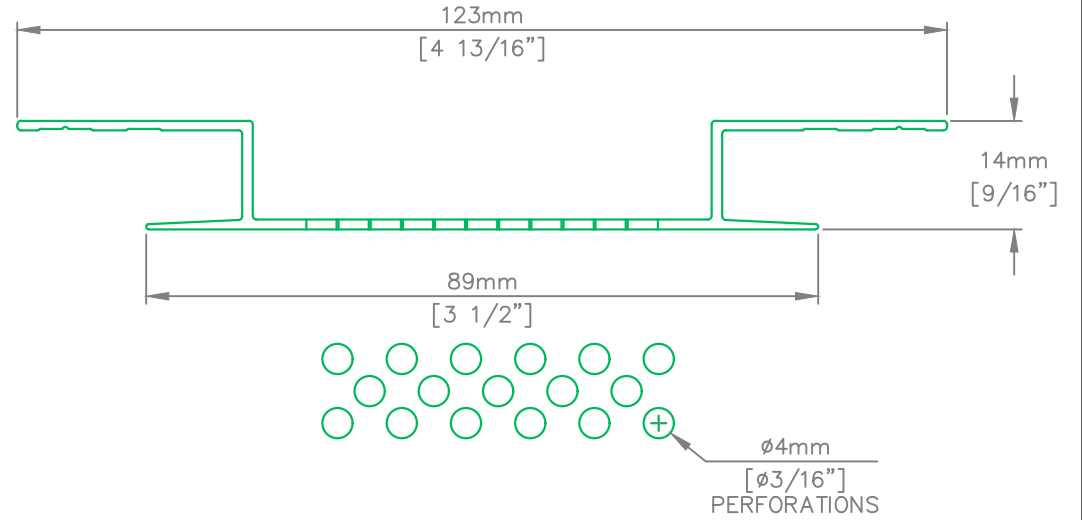
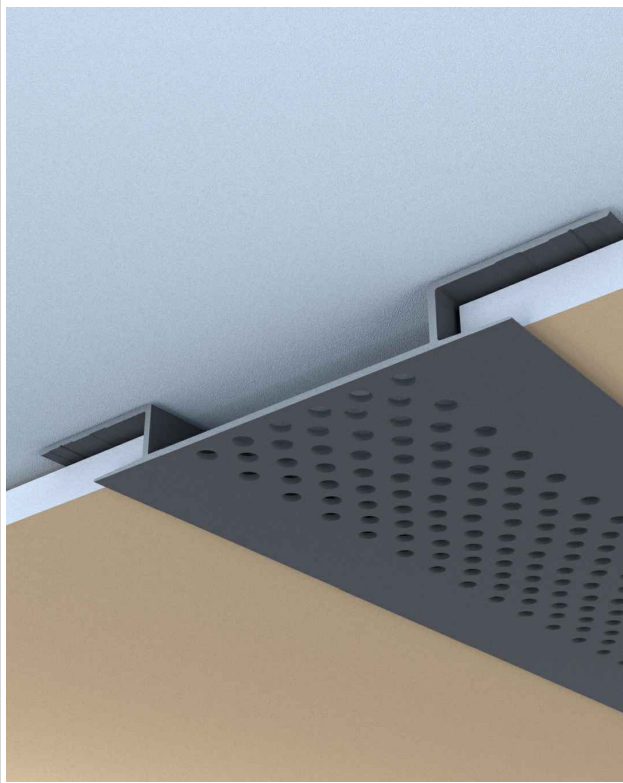
DESCRIPTION			
EZ 68 GENERAL J WINDOW JAMB 7/16" TRIM			
	SCALE	NTS	DRAWING NUMBER
	DATE	NOV2023	EZ68.2
	DRWN BY	HJ/DDG	



DESCRIPTION			
EZ 70 HORIZONTAL BASE B FASCIA/SOFFIT 7/16" TRIM			
	SCALE	NTS	DRAWING NUMBER
	DATE	NOV2023	EZ70.1
	DRWN BY	HJ/DDG	

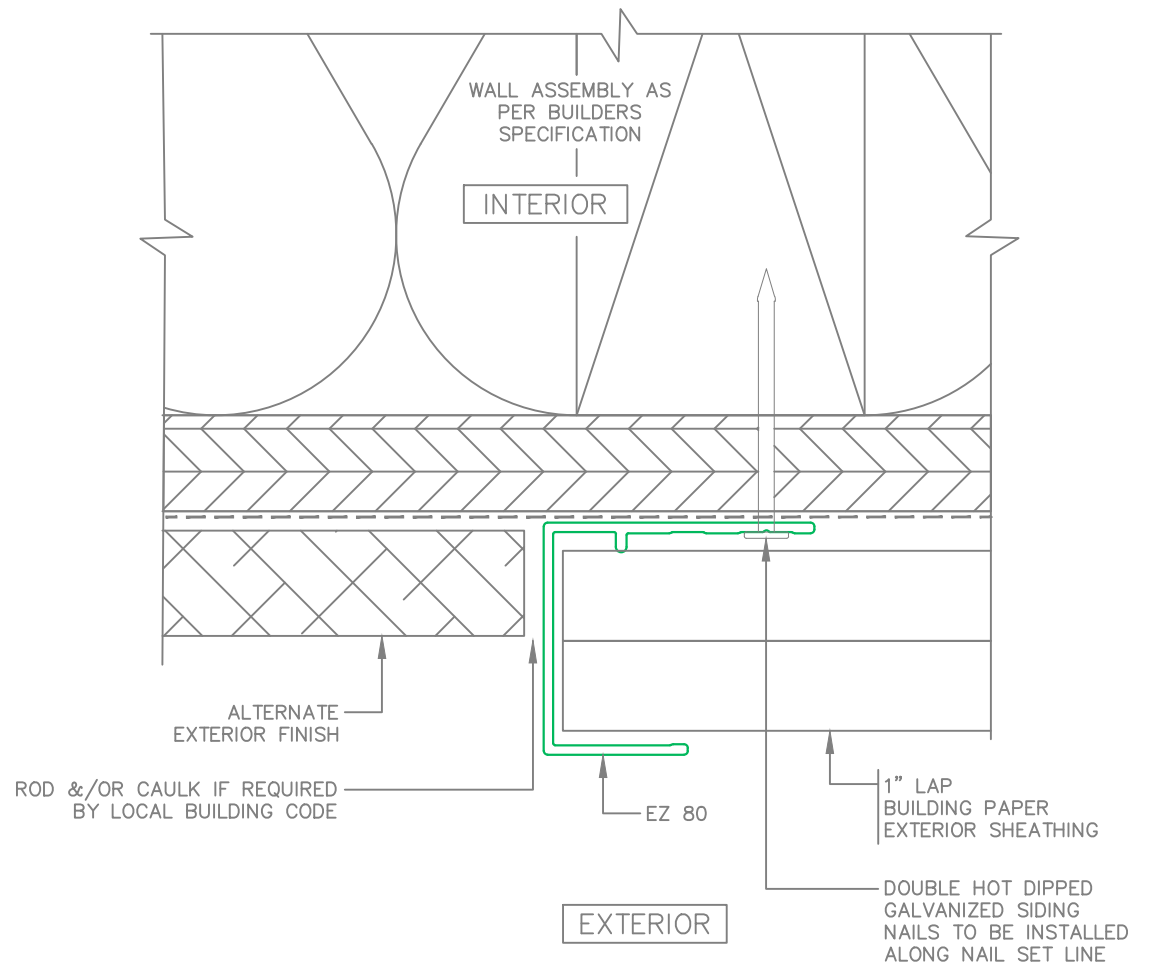
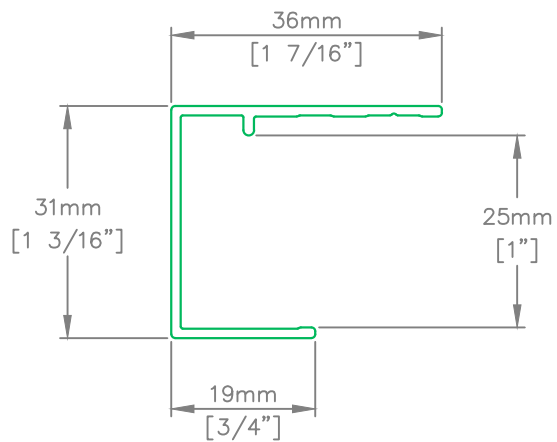
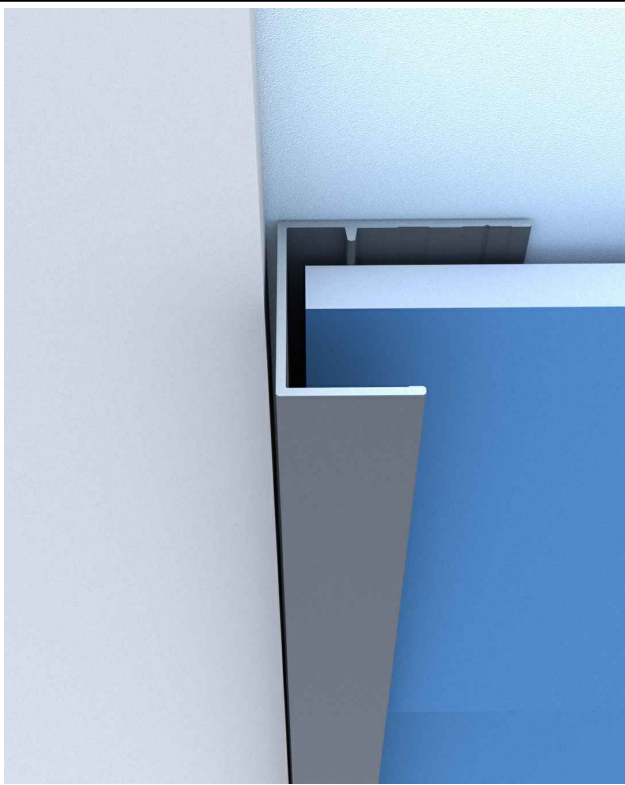


DESCRIPTION			
EZ 71 2-PIECE GENERAL J 7/16" TRIM			
	SCALE	NTS	DRAWING NUMBER
	DATE	NOV2023	EZ71.1
	DRWN BY	HJ/DDG	

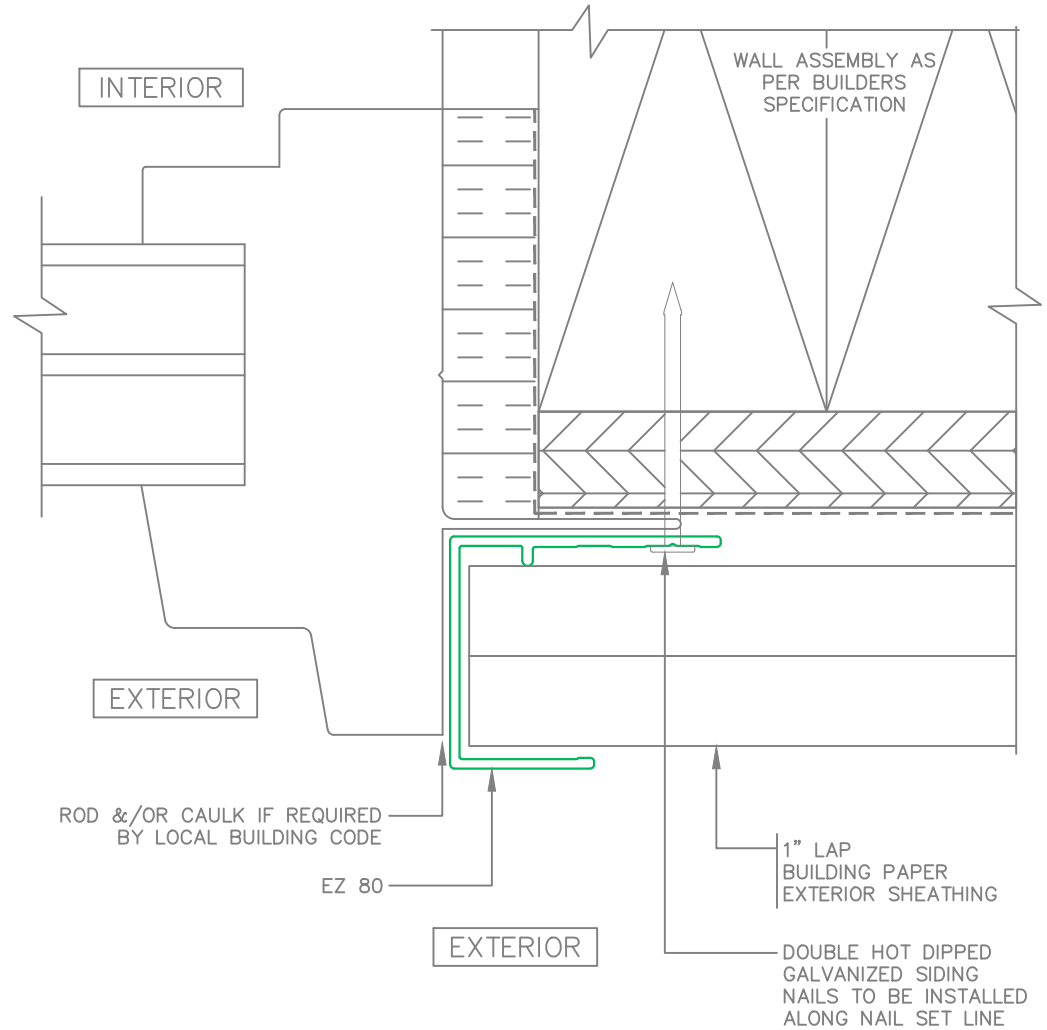
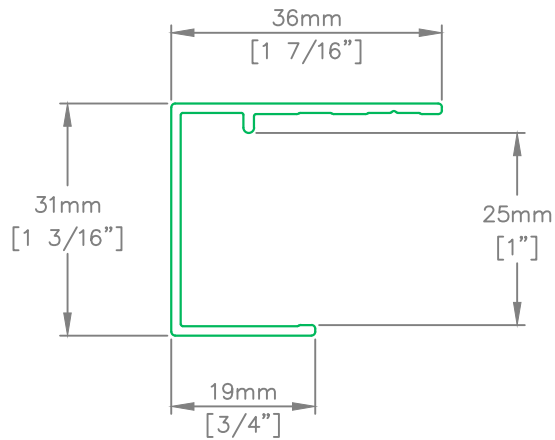
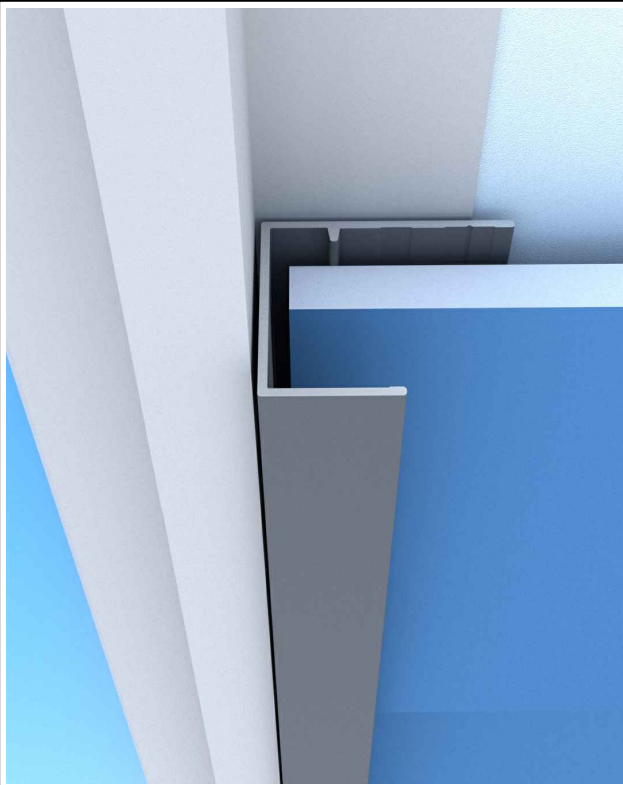



7.7 in²/ LIN FT
163.3 cm²/ LIN m
NET FREE AIR SPACE

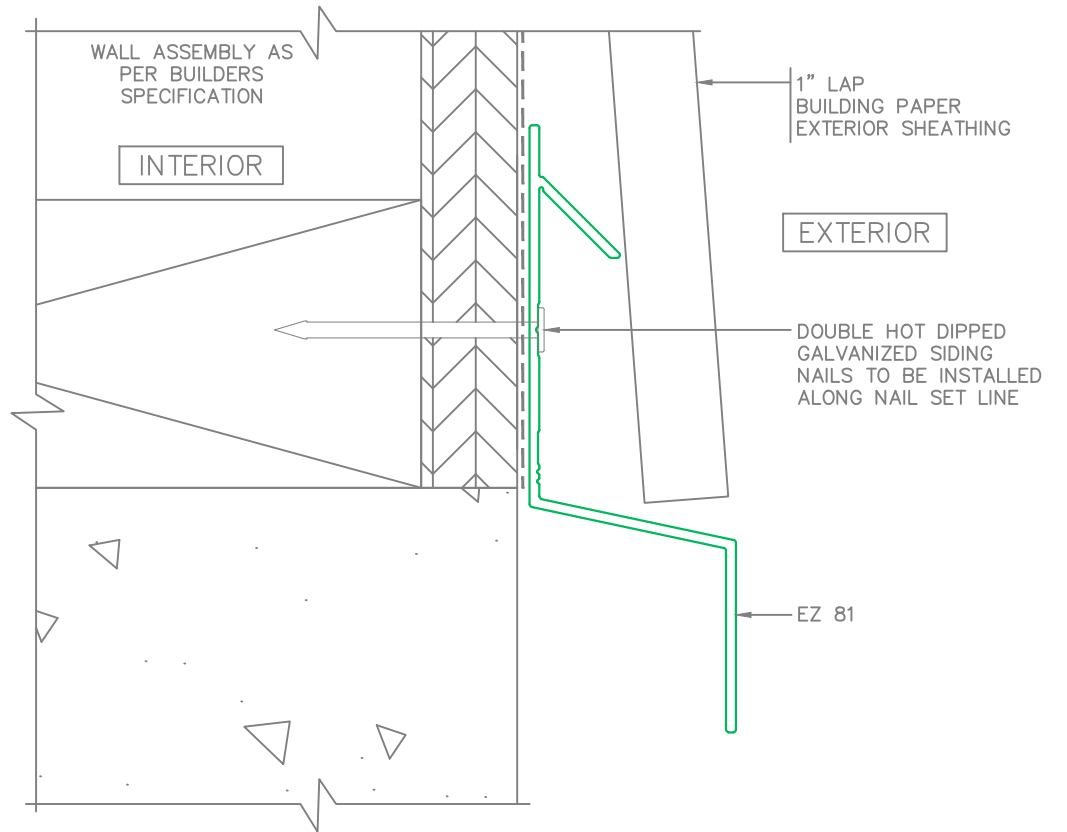
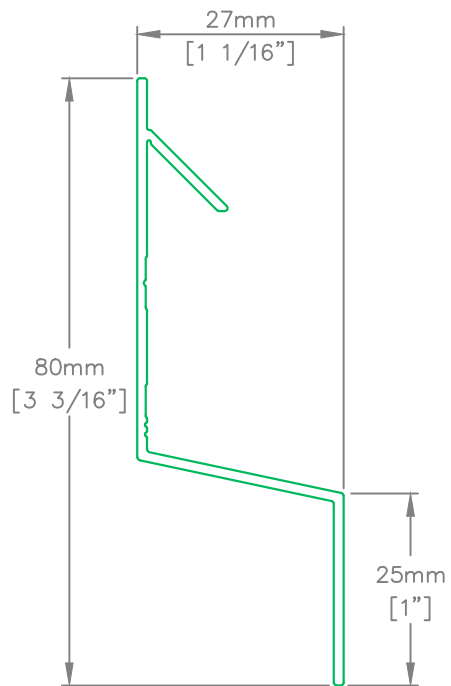
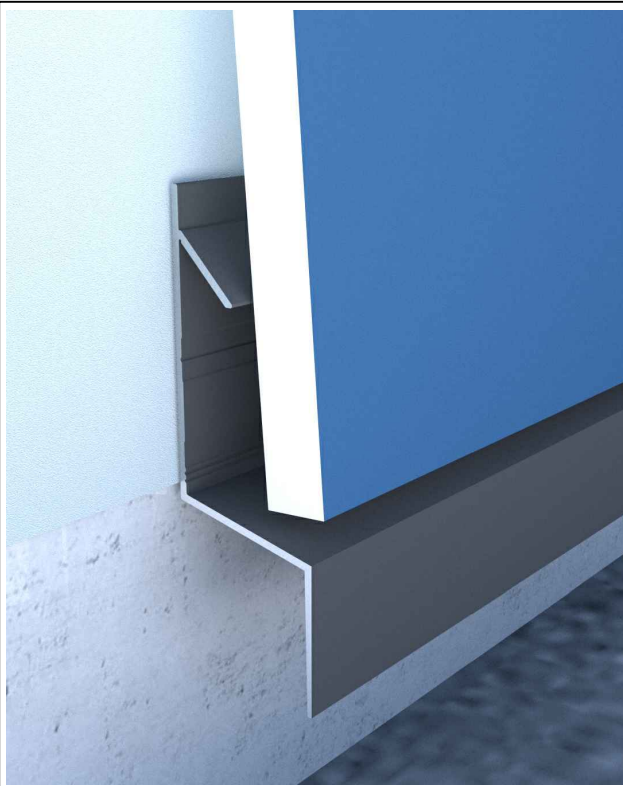
DESCRIPTION			
EZ 79 PERFORATED SOFFIT 7/16" TRIM			
	SCALE	NTS	DRAWING NUMBER
	DATE	NOV2023	EZ79.1
	DRWN BY	HJ/DDG	




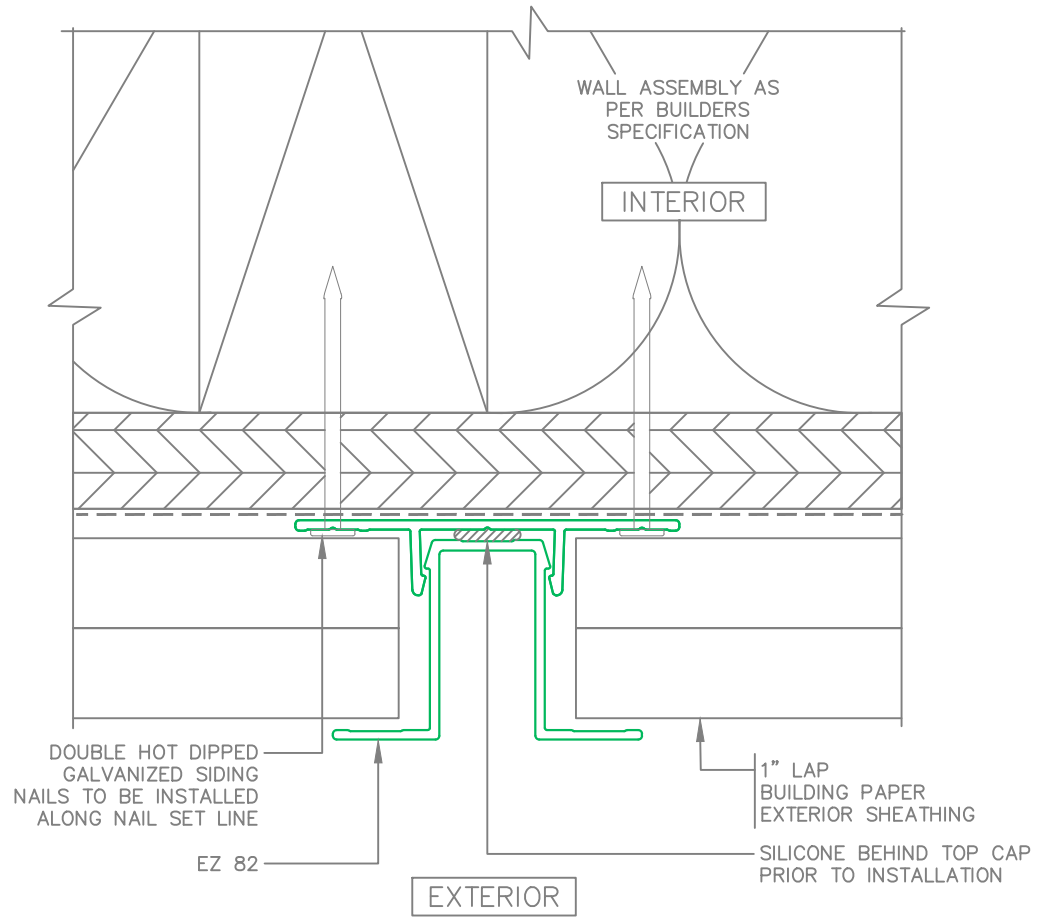
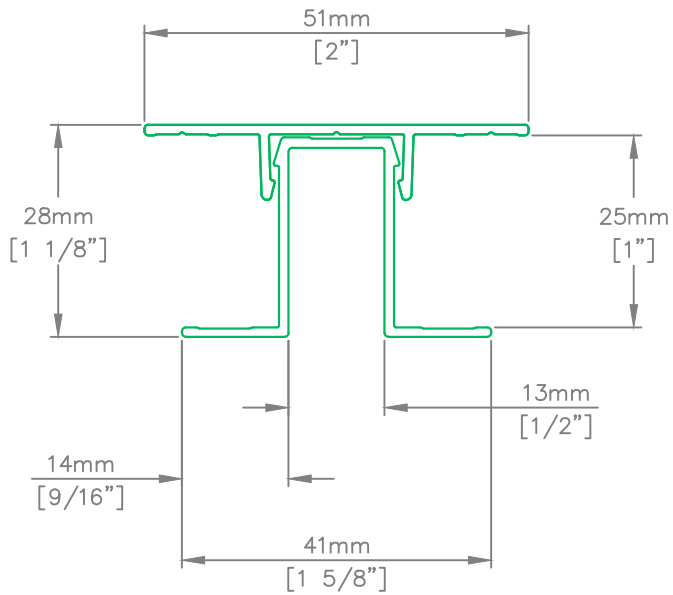
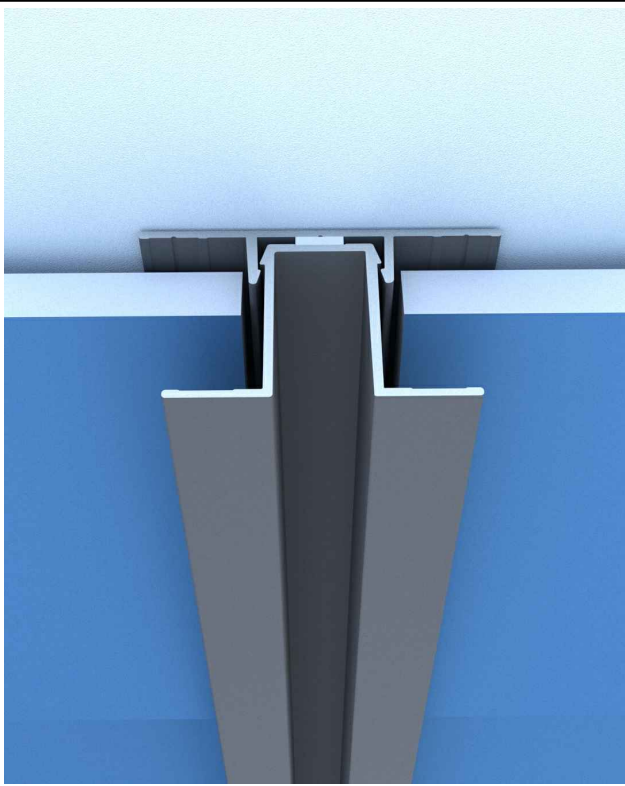
DESCRIPTION			
EZ 80 GENERAL J VERTICAL TERMINATION 1" TRIM			
	SCALE	NTS	DRAWING NUMBER
	DATE	NOV2023	EZ80.1
	DRWN BY	HJ/DDG	



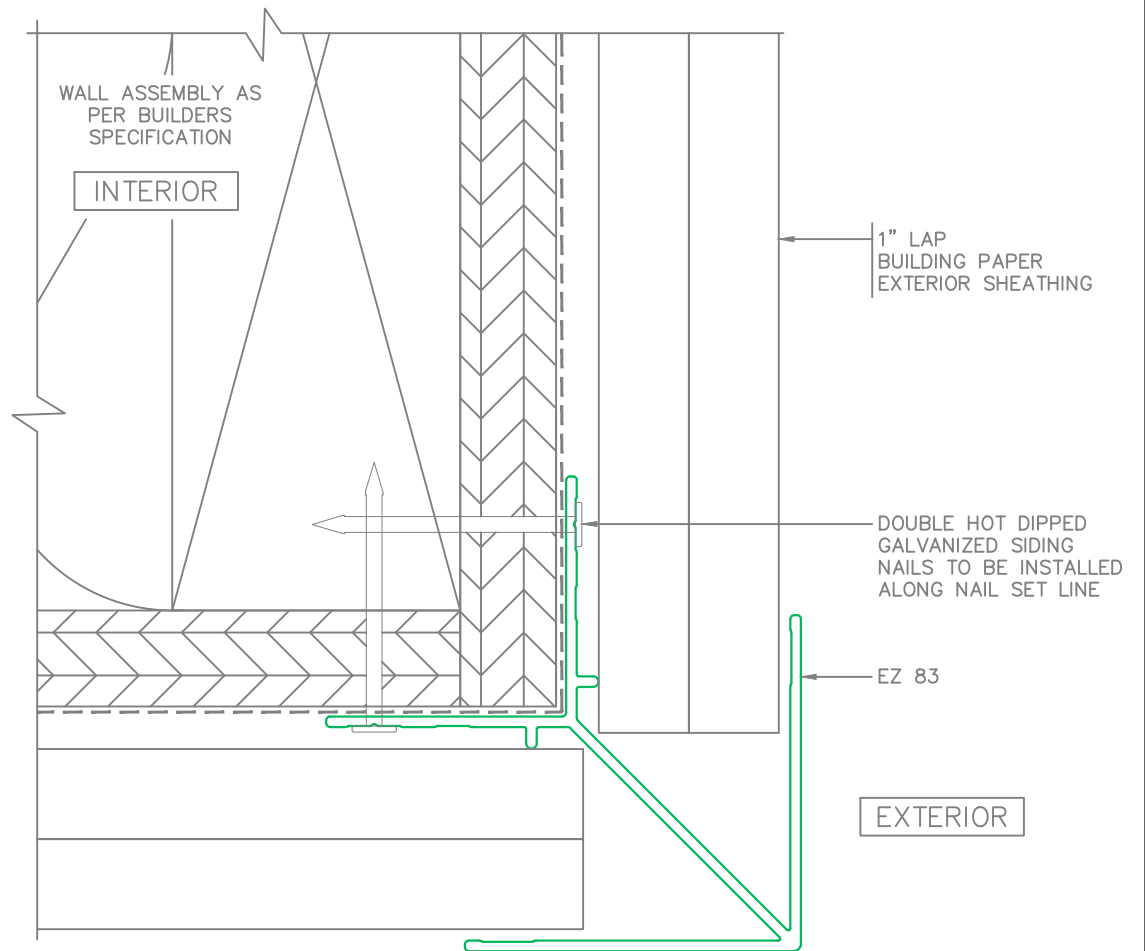
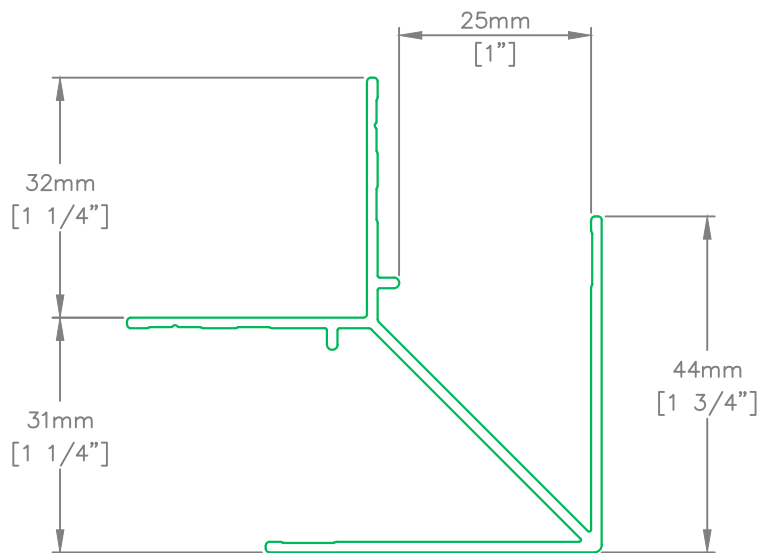
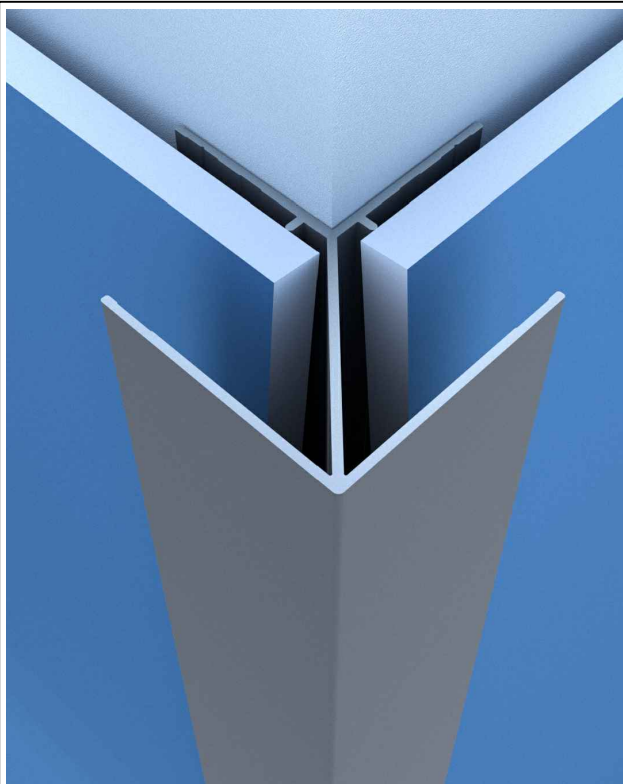
DESCRIPTION			
EZ 80 GENERAL J WINDOW JAMB 1" TRIM			
	SCALE	NTS	DRAWING NUMBER
	DATE	NOV2023	EZ80.2
	DRWN BY	HJ/DDG	




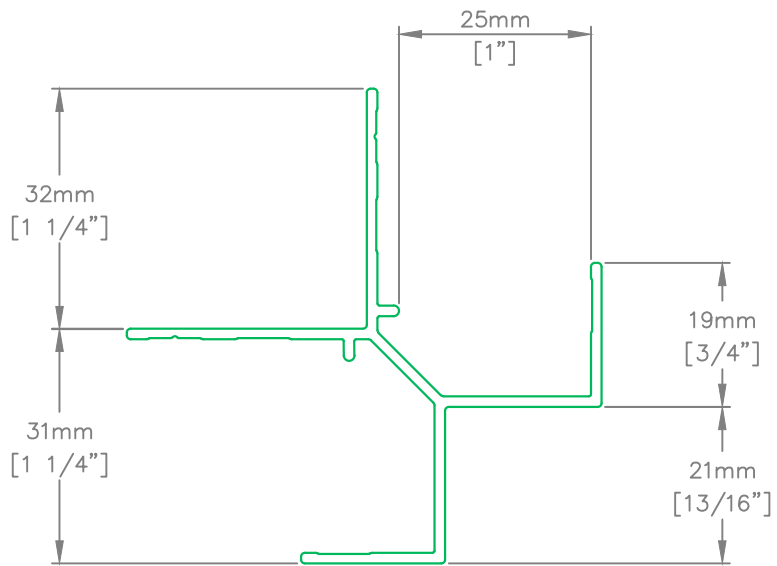
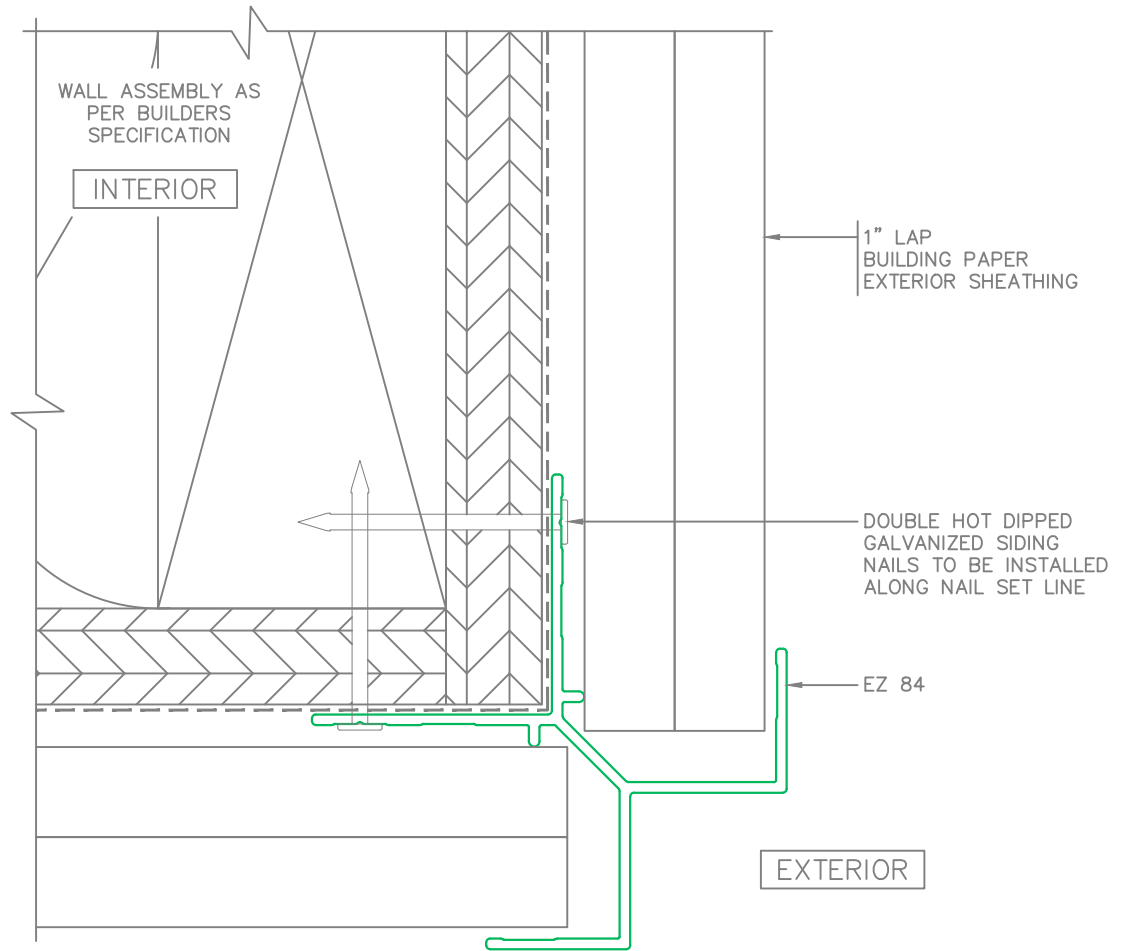
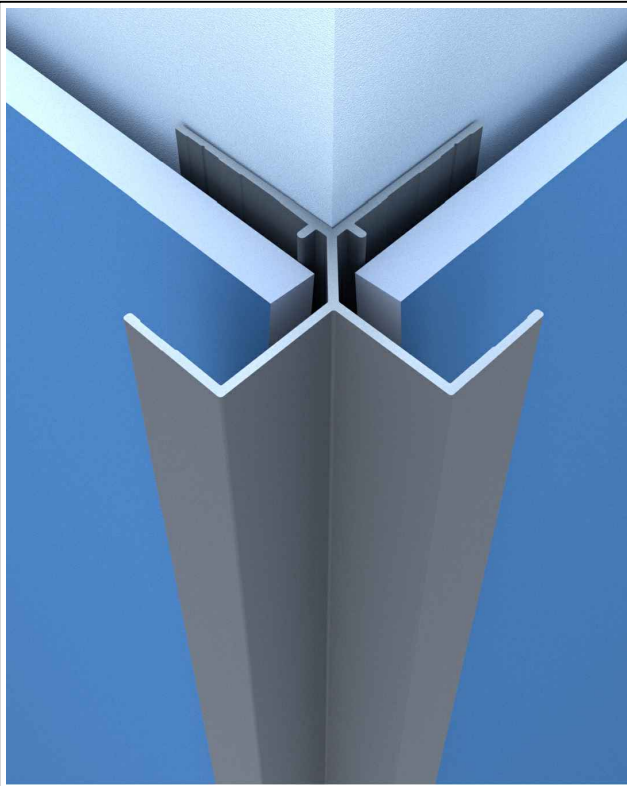
DESCRIPTION			
EZ 81 HORIZONTAL BASE Z STARTER 1" TRIM			
	SCALE	NTS	DRAWING NUMBER
	DATE	NOV2023	EZ81.1
	DRWN BY	HJ/DDG	




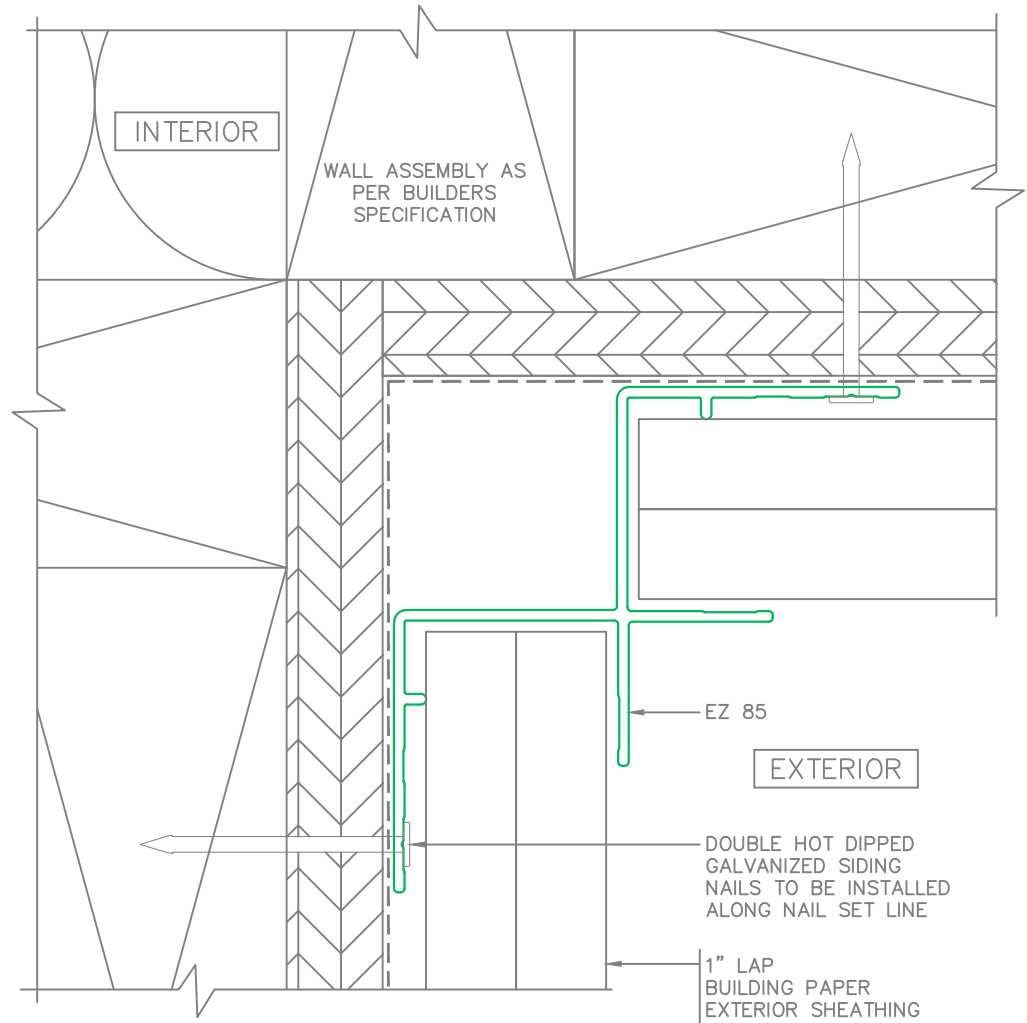
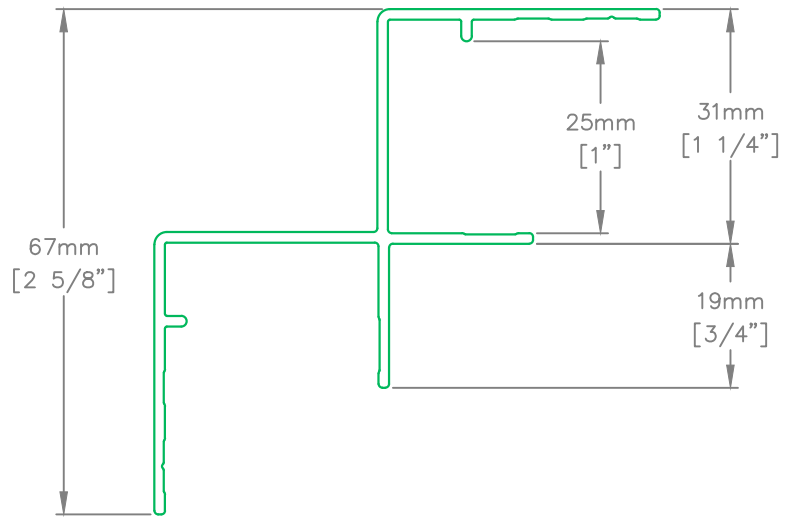
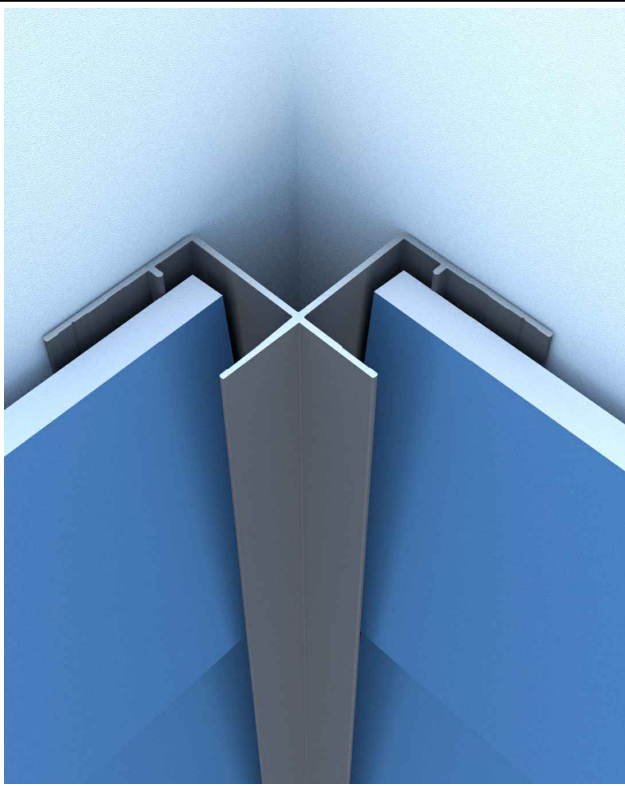
DESCRIPTION			
EZ 82 2-PIECE VERTICAL 1" TRIM			
	SCALE	NTS	DRAWING NUMBER
	DATE	NOV2023	EZ82.1
	DRWN BY	HJ/DDG	



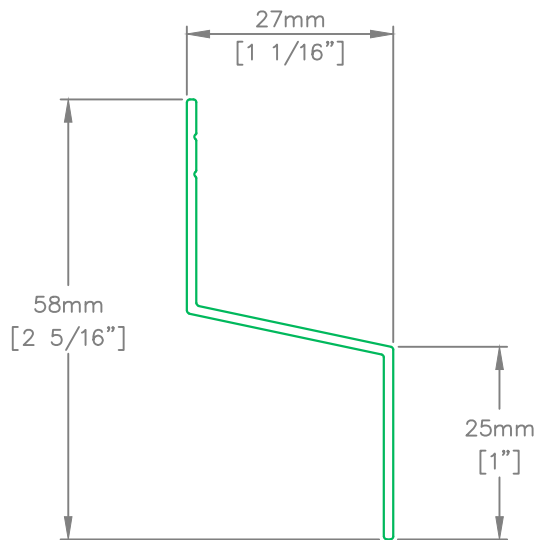
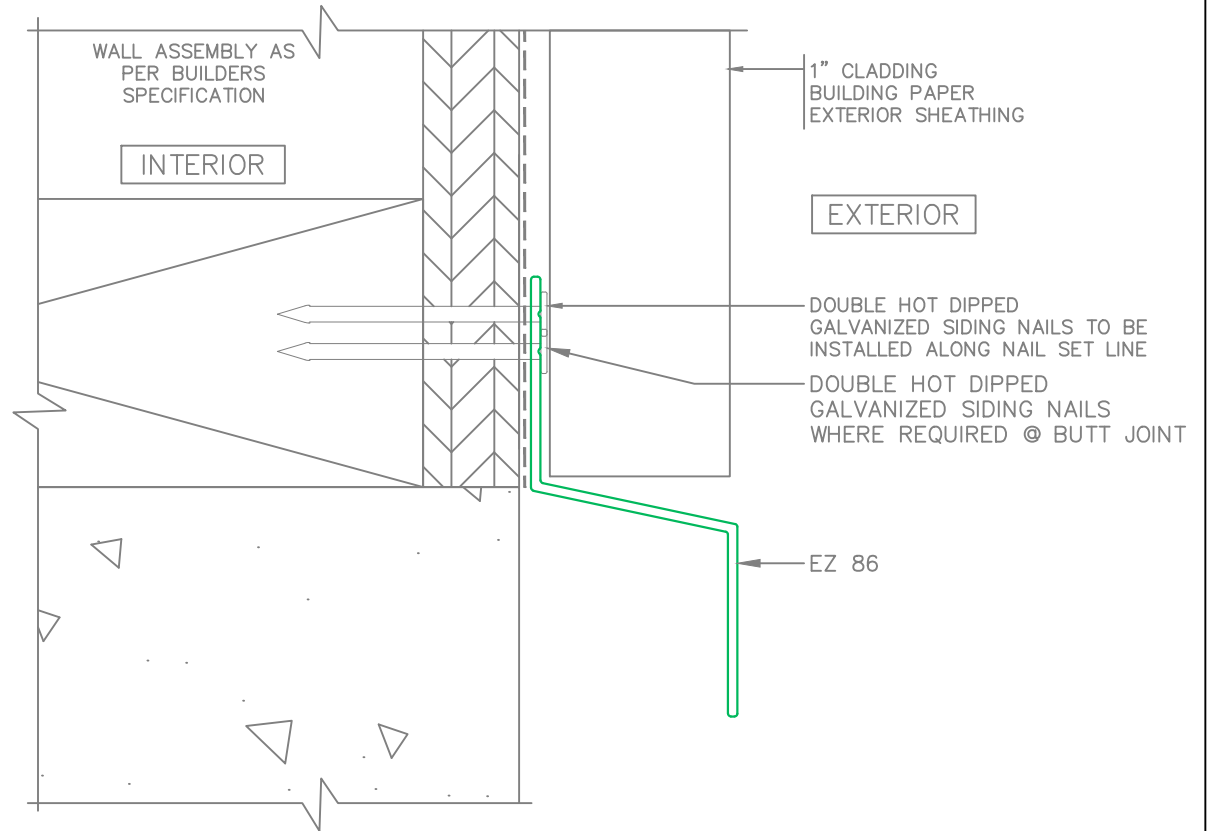
DESCRIPTION			
EZ 83 ARROW OUTSIDE CORNER 1" TRIM			
	SCALE	NTS	DRAWING NUMBER
	DATE	NOV2023	EZ83.1
	DRWN BY	HJ/DDG	



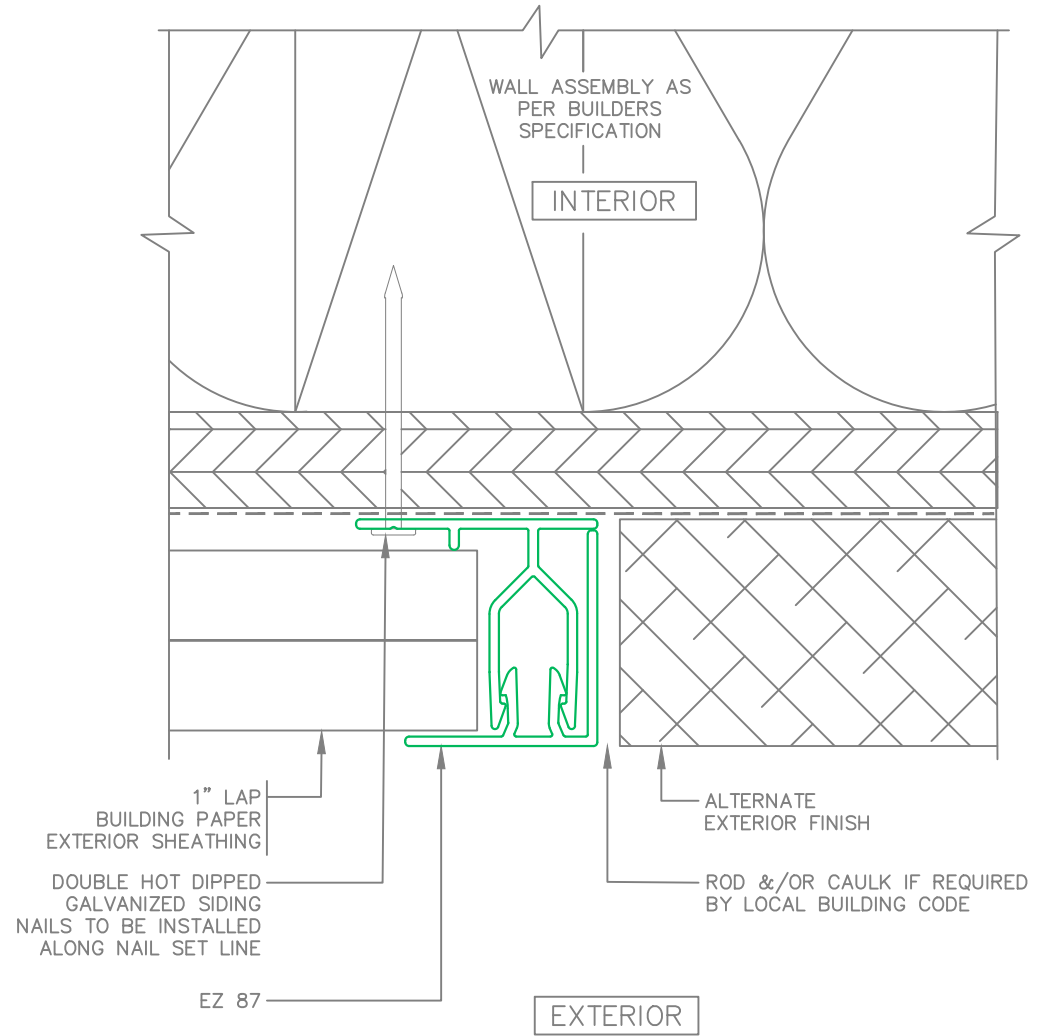
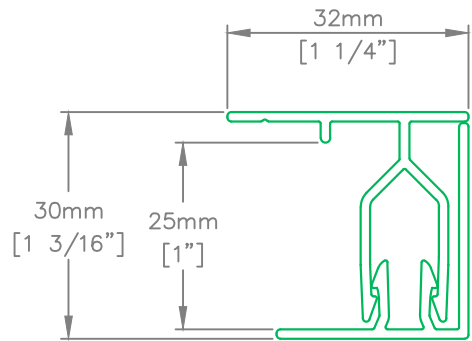
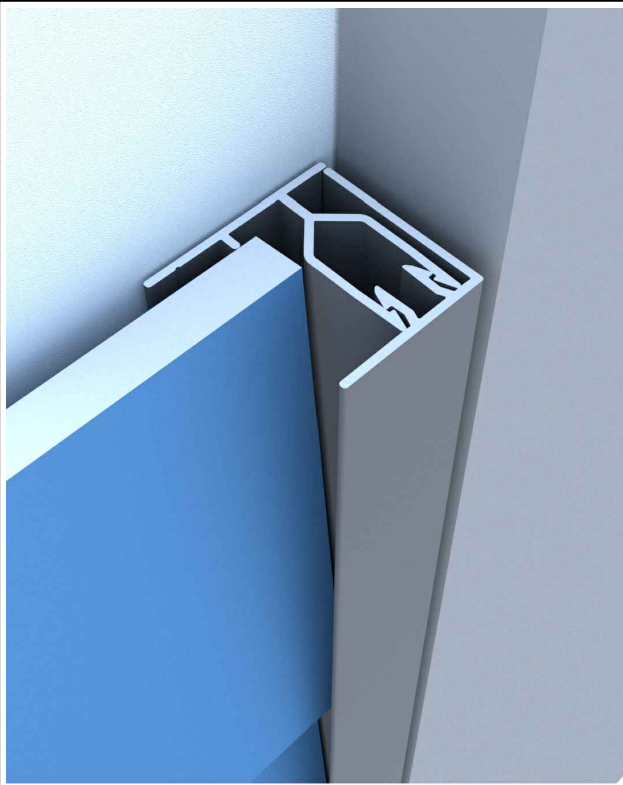
DESCRIPTION			
EZ 84 X OUTSIDE CORNER 1" TRIM			
	SCALE	NTS	DRAWING NUMBER
	DATE	NOV2023	EZ84.1
	DRWN BY	HJ/DDG	




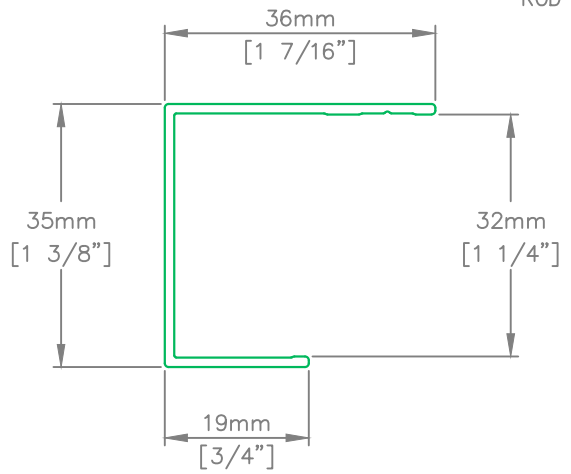
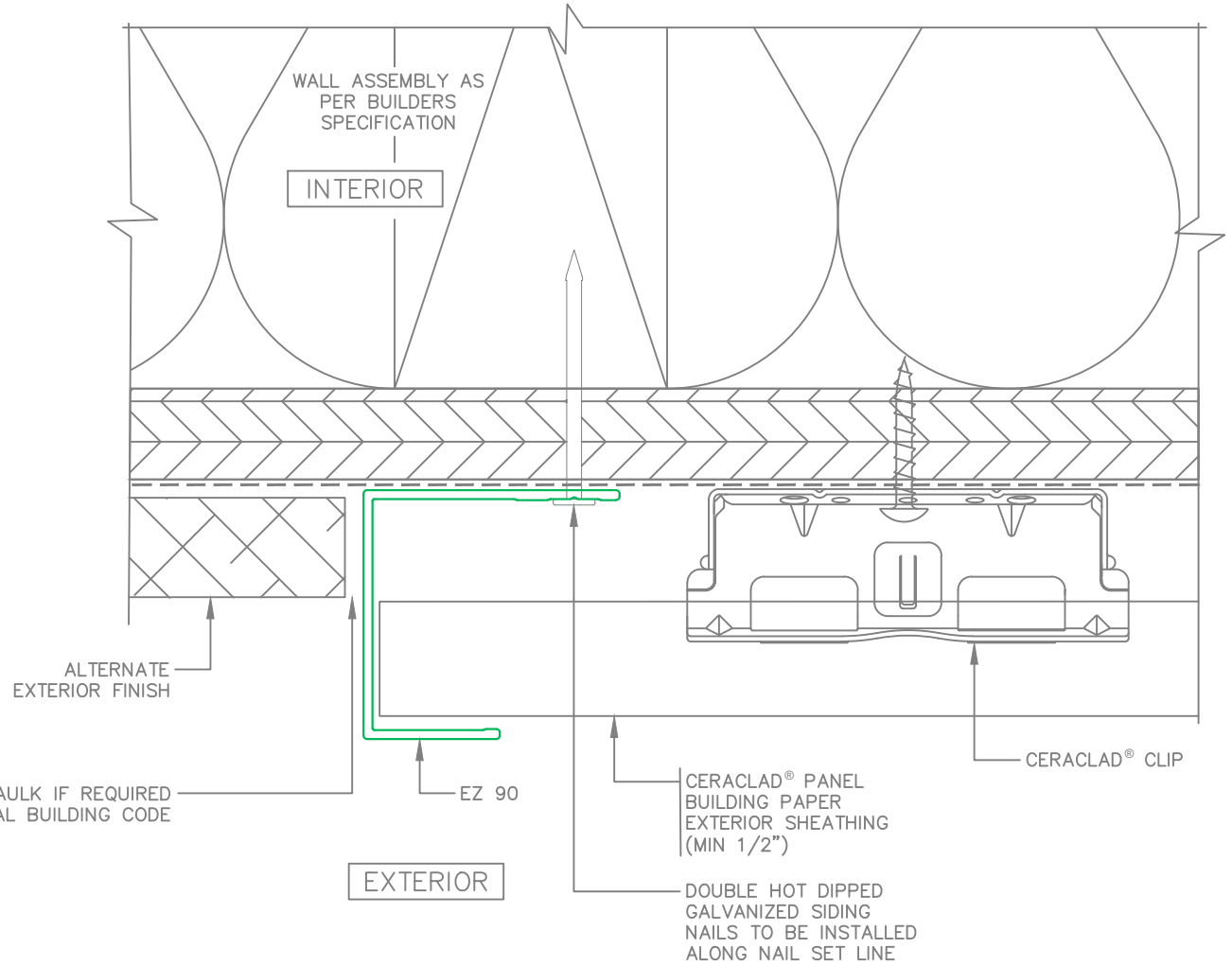
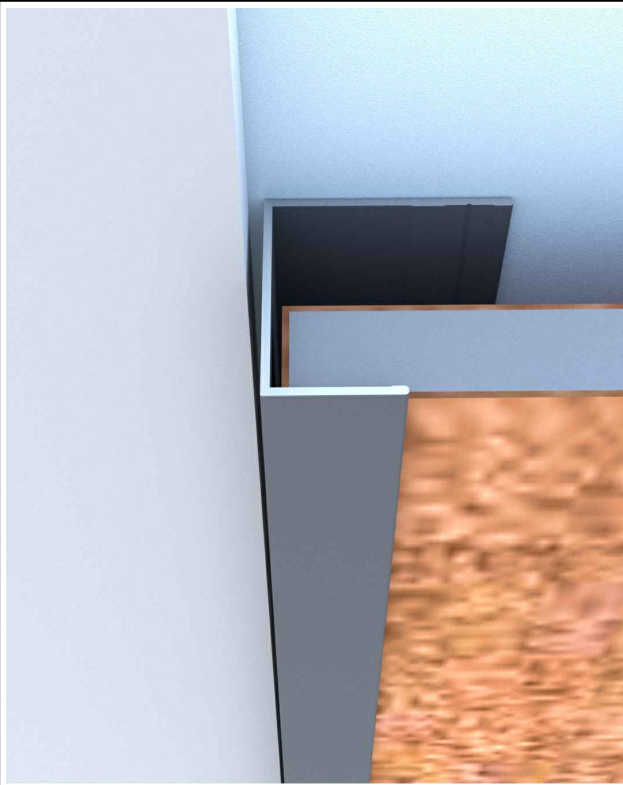
DESCRIPTION			
EZ 85 INSIDE CORNER 1" TRIM			
	SCALE	NTS	DRAWING NUMBER
	DATE	NOV2023	EZ85.1
	DRWN BY	HJ/DDG	




DESCRIPTION			
EZ 86 HORIZONTAL Z 1" TRIM			
	SCALE	NTS	DRAWING NUMBER
	DATE	NOV2023	EZ86.1
	DRWN BY	DDG	

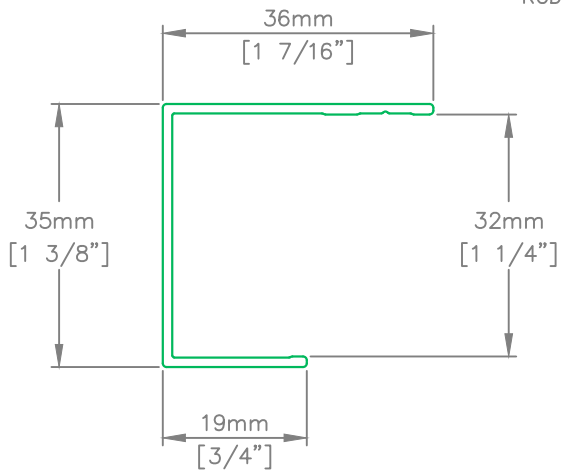
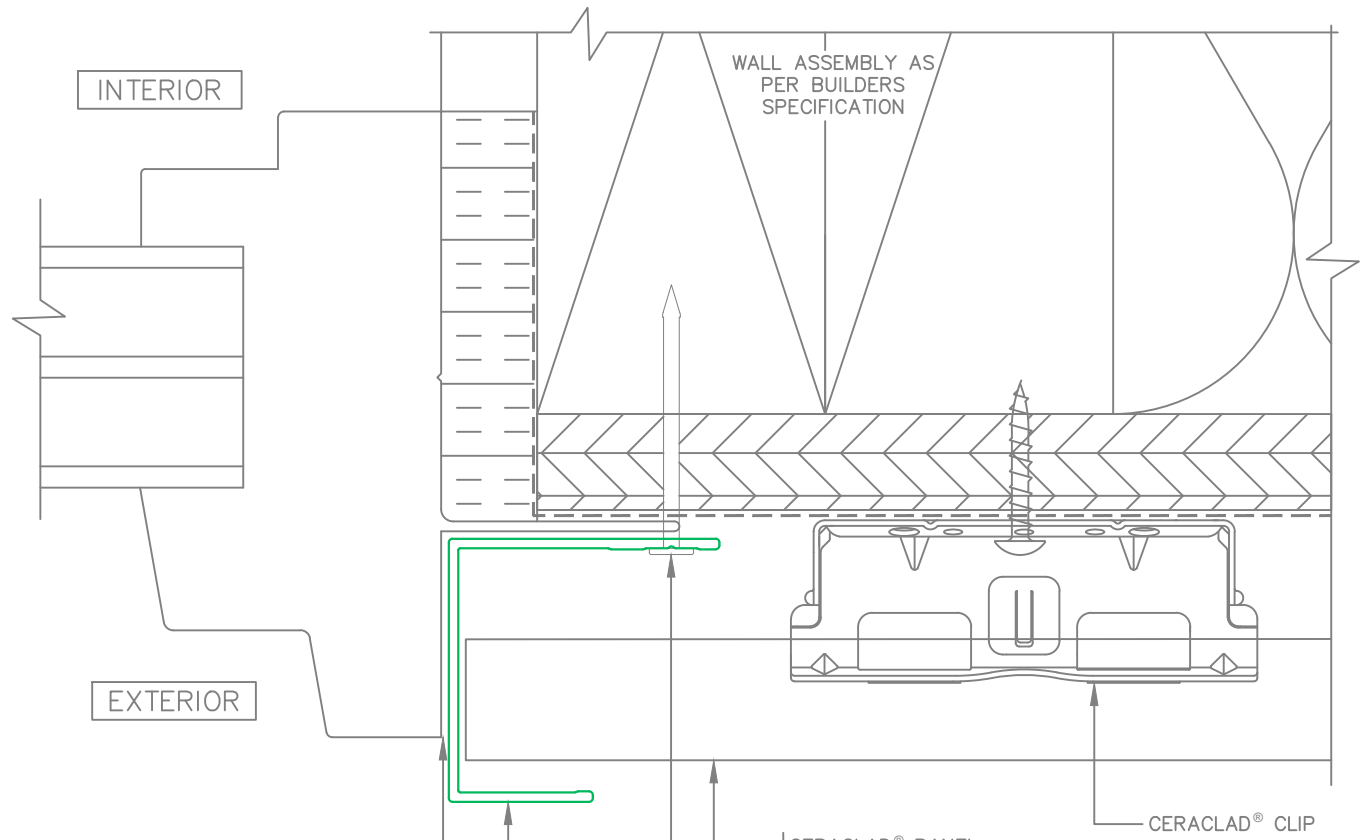
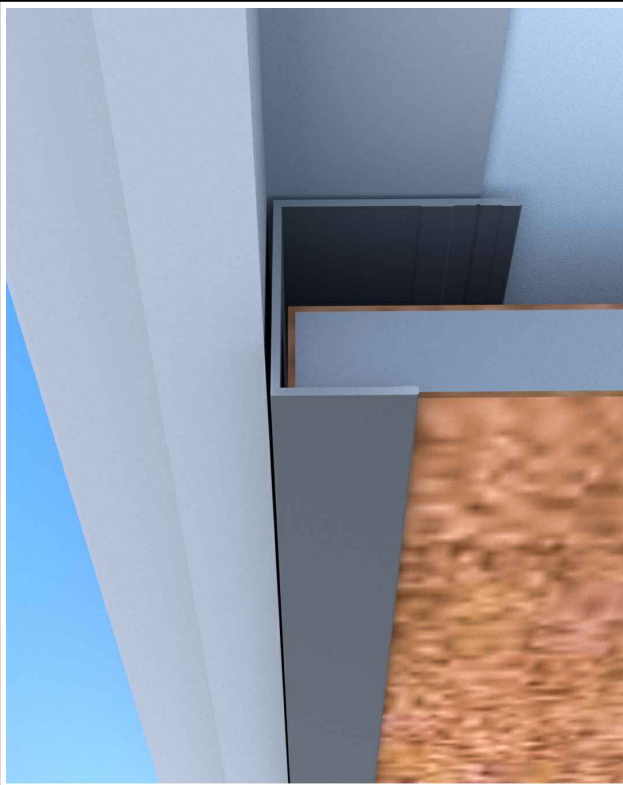


DESCRIPTION			
EZ 87 2-PIECE J 1" TRIM			
	SCALE	NTS	DRAWING NUMBER
	DATE	NOV2023	EZ87.1
	DRWN BY	DDG	



NOTE:
 LOCATION, SPACING & FASTENING OF CERACLAD® STARTER, SPACER AND CLIPS AS PER CERACLAD® SPECIFICATIONS

DESCRIPTION			
EZ 90 GENERAL J VERTICAL TERMINATION 1-1/4" TRIM			
	SCALE	NTS	DRAWING NUMBER
	DATE	NOV2023	EZ90.1
DRWN BY	HJ/DDG		



ROD &/OR CAULK IF REQUIRED BY LOCAL BUILDING CODE

EZ 90

CERACLAD® PANEL BUILDING PAPER EXTERIOR SHEATHING (MIN 1/2")

DOUBLE HOT DIPPED GALVANIZED SIDING NAILS TO BE INSTALLED ALONG NAIL SET LINE

CERACLAD® CLIP

DESCRIPTION

EZ 90 GENERAL J WINDOW JAMB
1-1/4" TRIM



EasyTrim®
Reveals

SCALE

NTS

DRAWING NUMBER

DATE

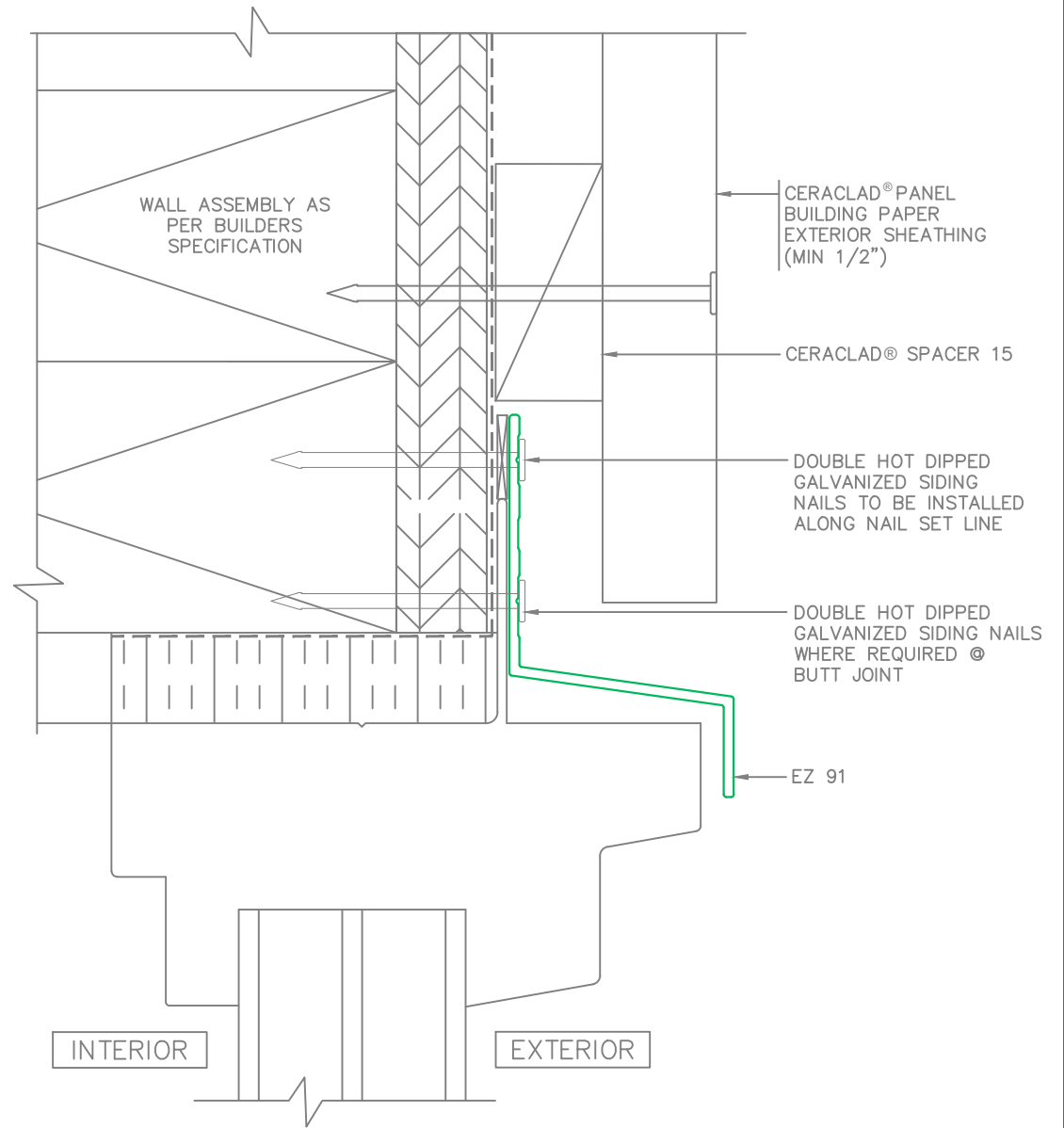
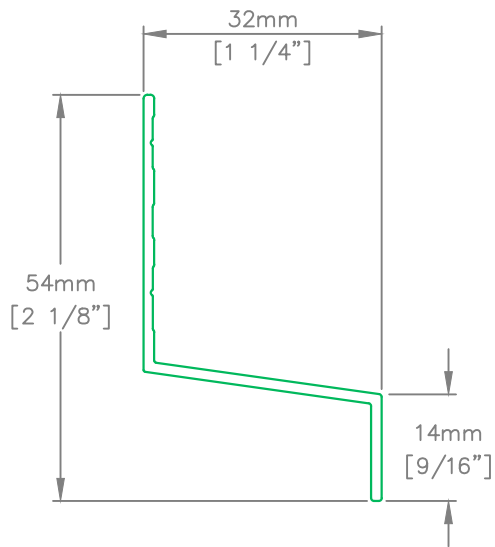
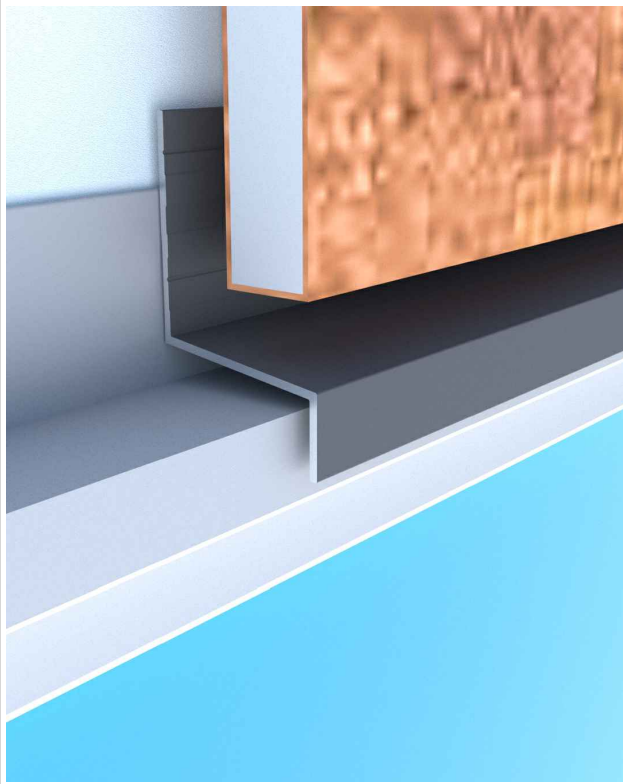
NOV2023

EZ90.2

DRWN BY

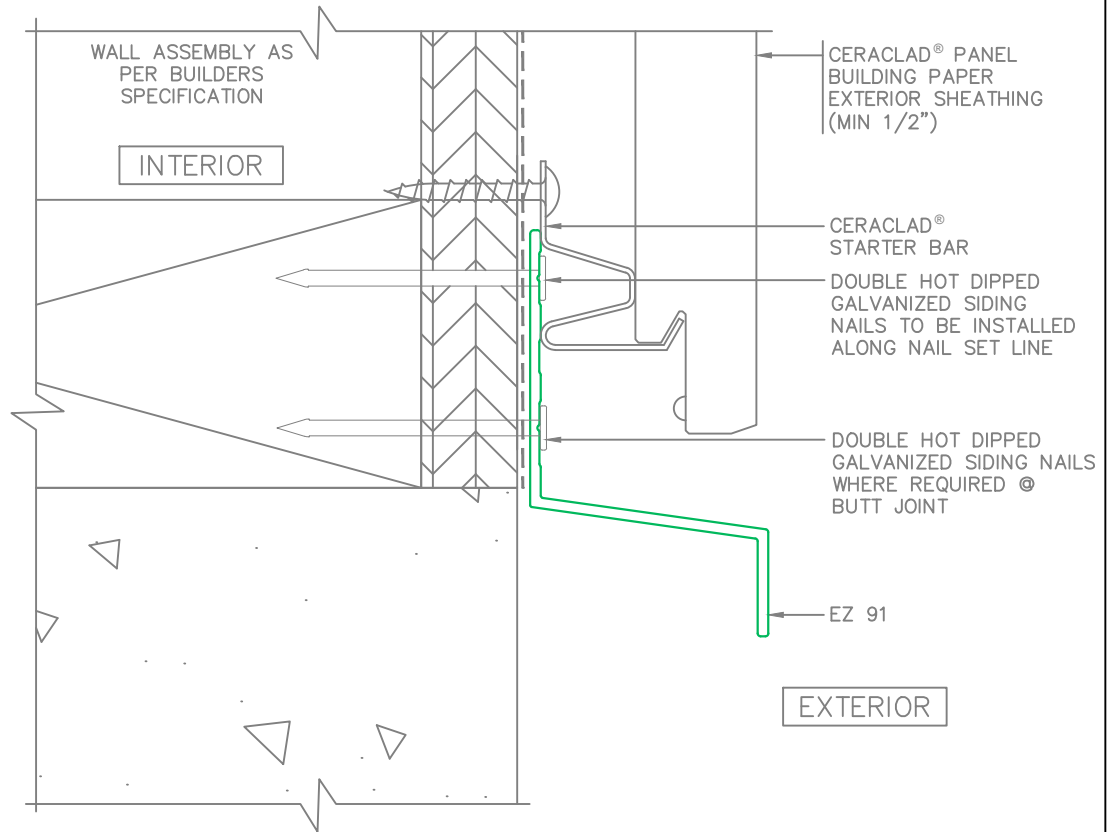
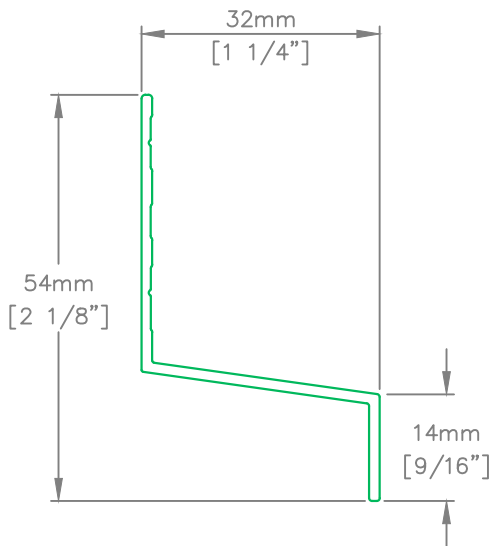
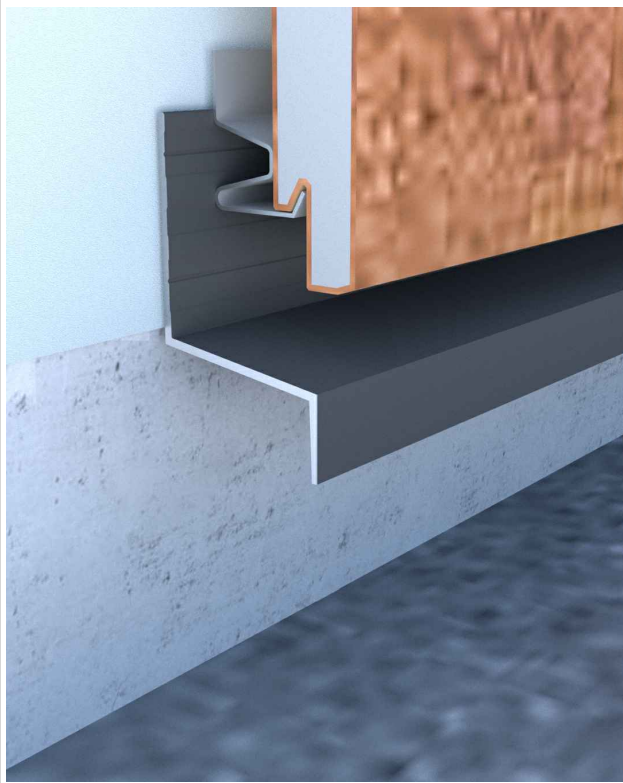
HJ/DDG

NOTE:
LOCATION, SPACING & FASTENING OF CERACLAD® STARTER, SPACER AND CLIPS AS PER CERACLAD® SPECIFICATIONS




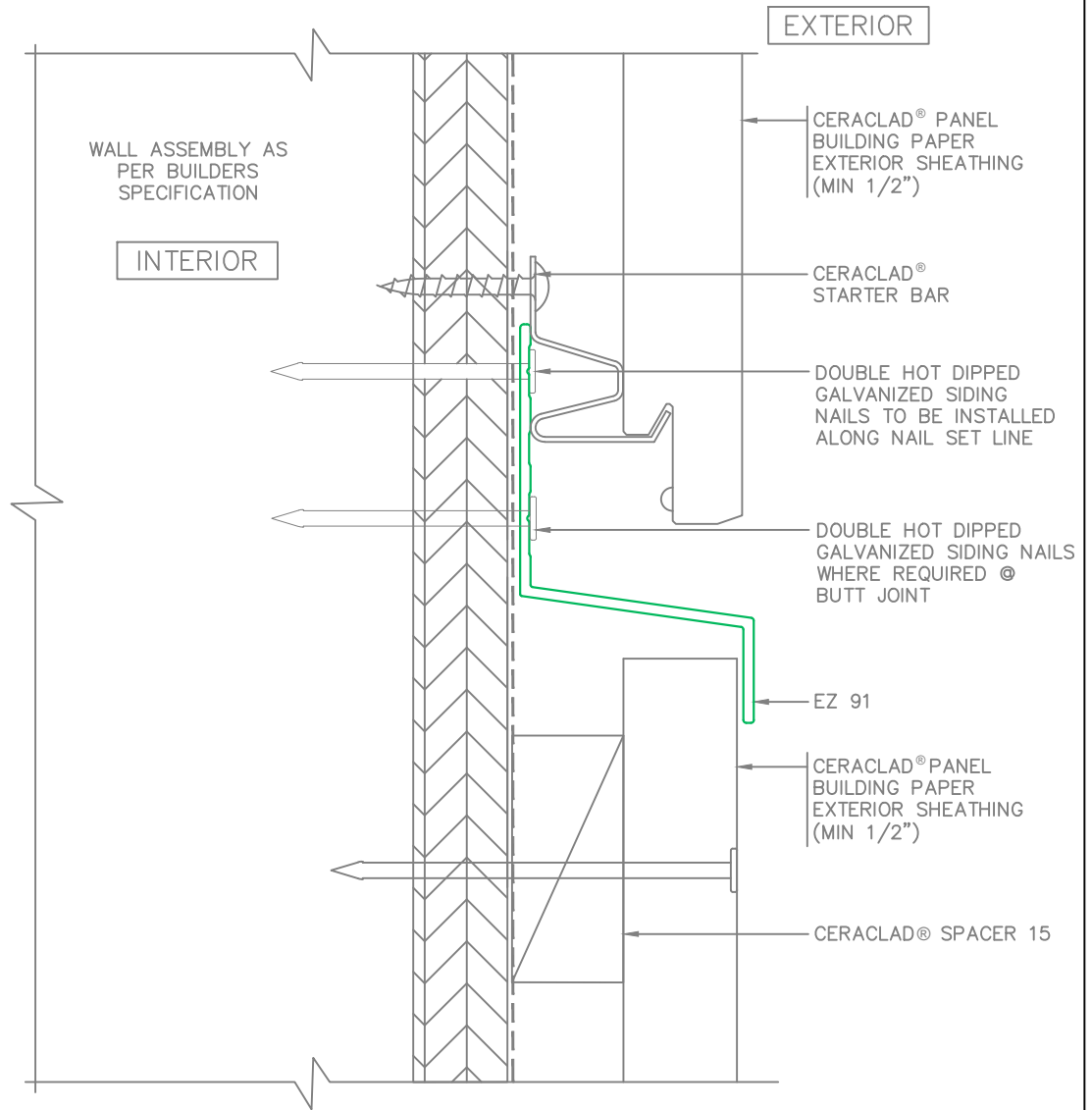
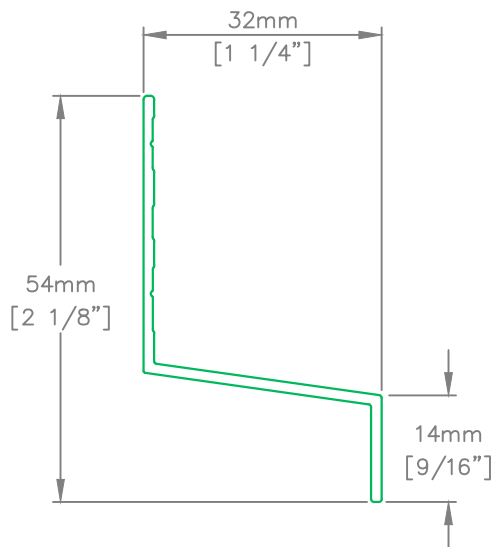
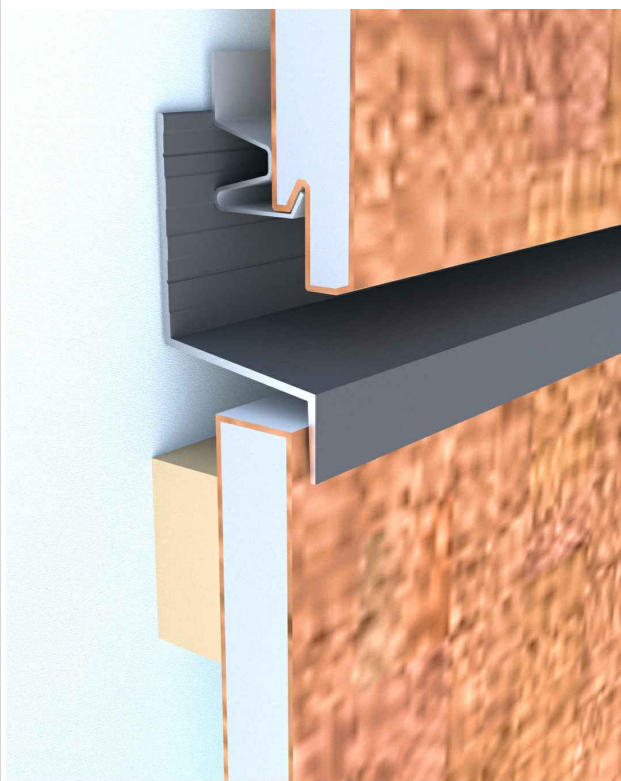
NOTE:
 LOCATION, SPACING & FASTENING OF
 CERACLAD® STARTER, SPACER AND CLIPS
 AS PER CERACLAD® SPECIFICATIONS

DESCRIPTION			
EZ 91 HORIZONTAL Z WINDOW HEAD 1-1/4" TRIM			
	SCALE	NTS	DRAWING NUMBER
	DATE	NOV2023	EZ91.1
	DRWN BY	HJ/DDG	



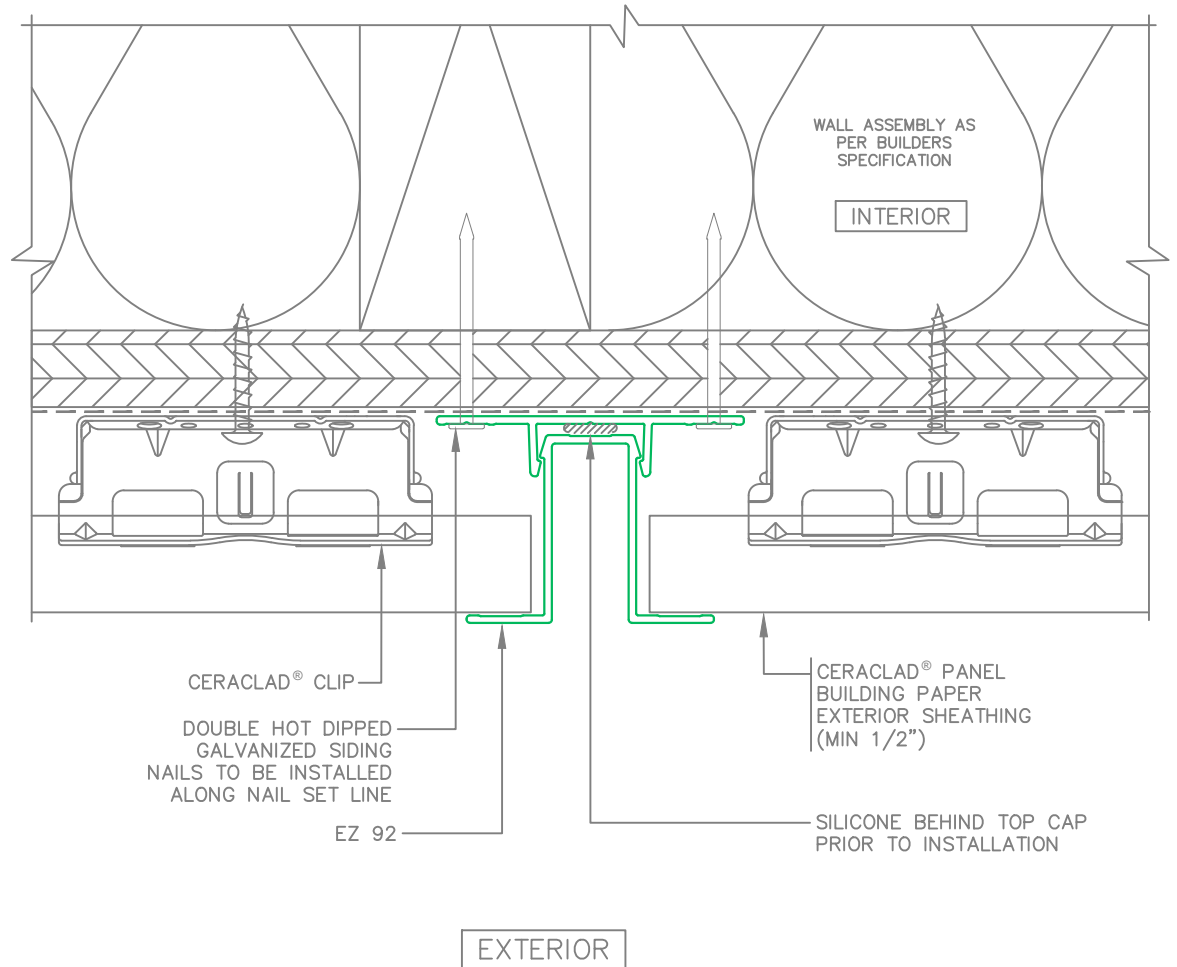
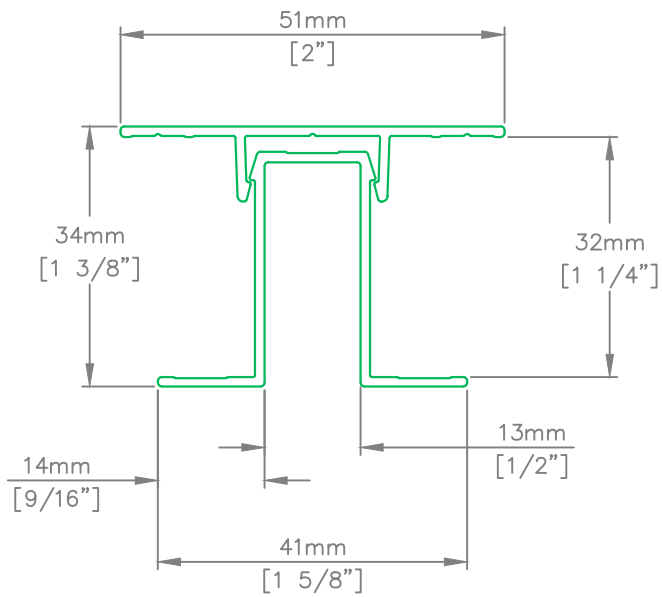
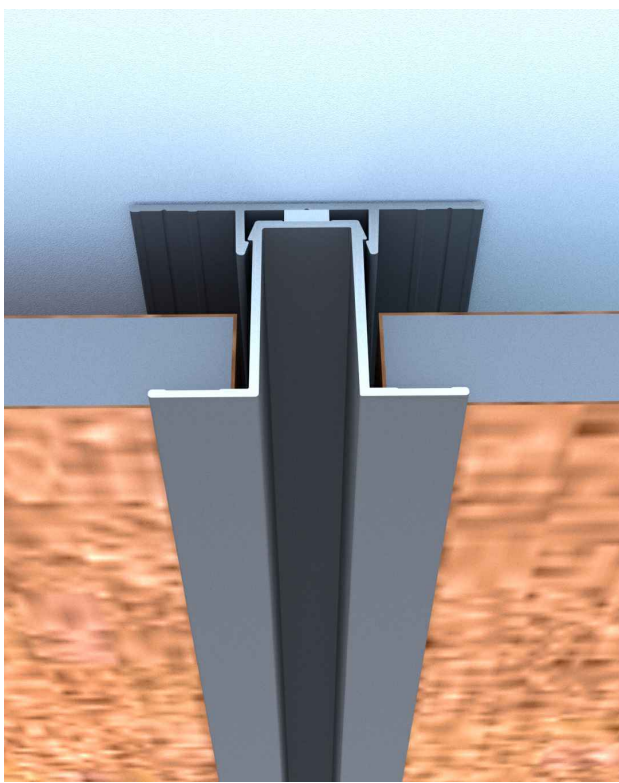
NOTE:
 LOCATION, SPACING & FASTENING OF
 CERACLAD® STARTER, SPACER AND CLIPS
 AS PER CERACLAD® SPECIFICATIONS

DESCRIPTION			
EZ 91 HORIZONTAL Z @ BASE STARTER 1-1/4" TRIM			
	SCALE	NTS	DRAWING NUMBER
	DATE	NOV2023	EZ91.2
	DRWN BY	HJ/DDG	




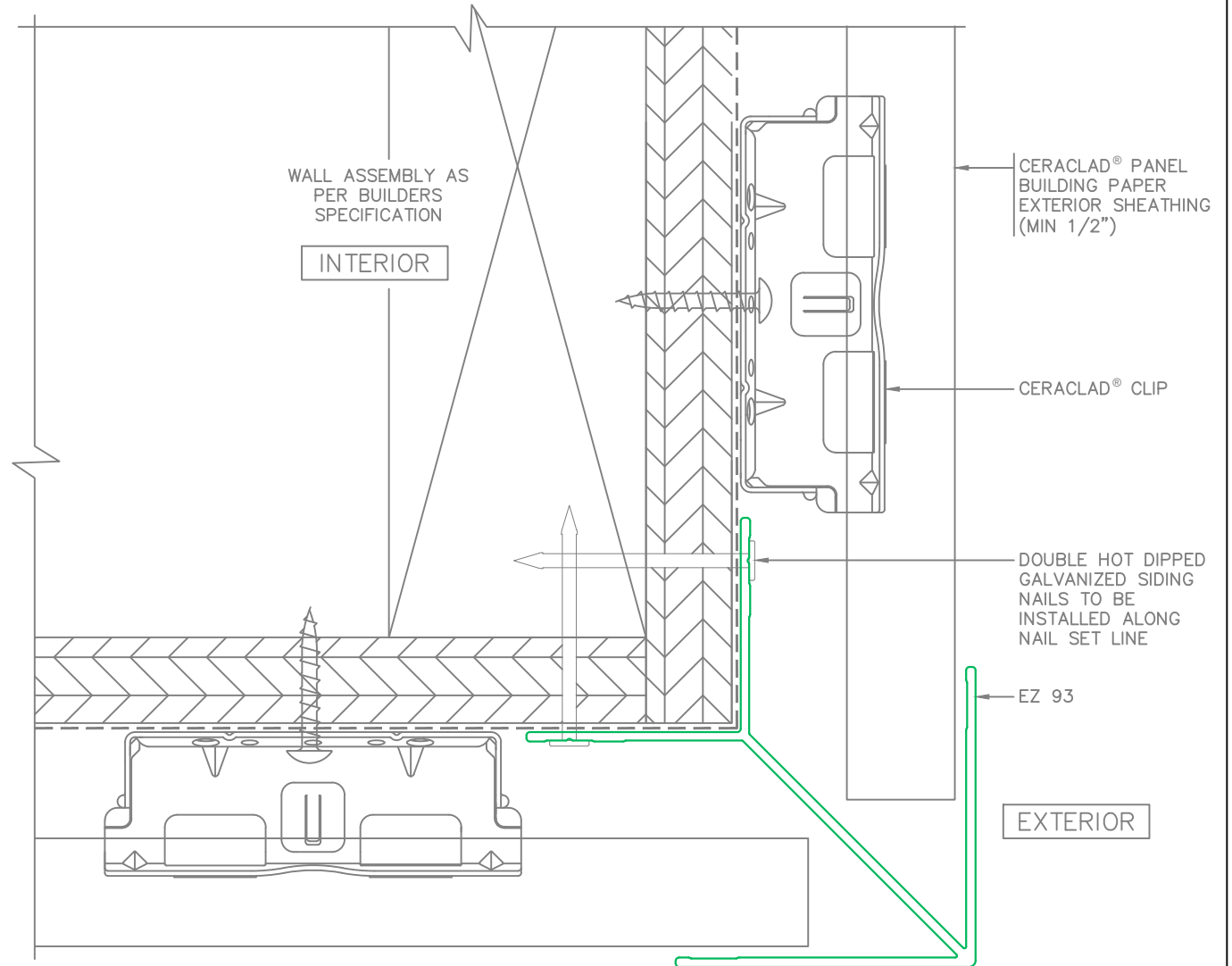
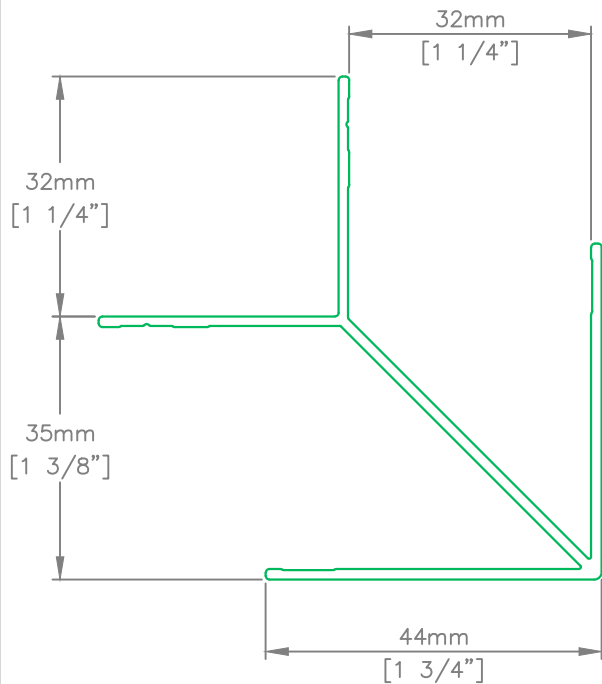
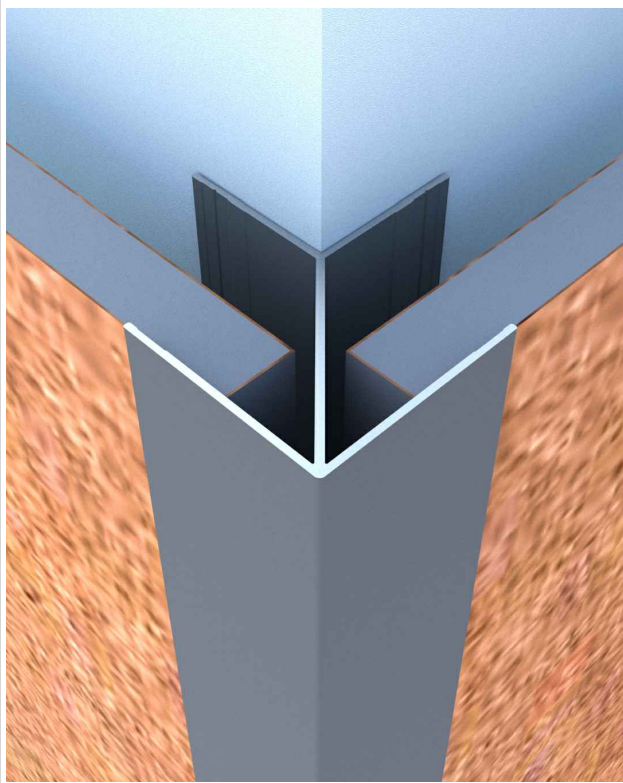
NOTE:
 LOCATION, SPACING & FASTENING OF
 CERACLAD® STARTER, SPACER AND CLIPS
 AS PER CERACLAD® SPECIFICATIONS

DESCRIPTION			
EZ 91 HORIZONTAL Z @ MIDWALL 1-1/4" TRIM			
	SCALE	NTS	DRAWING NUMBER
	DATE	NOV2023	EZ91.3
	DRWN BY	HJ/DDG	



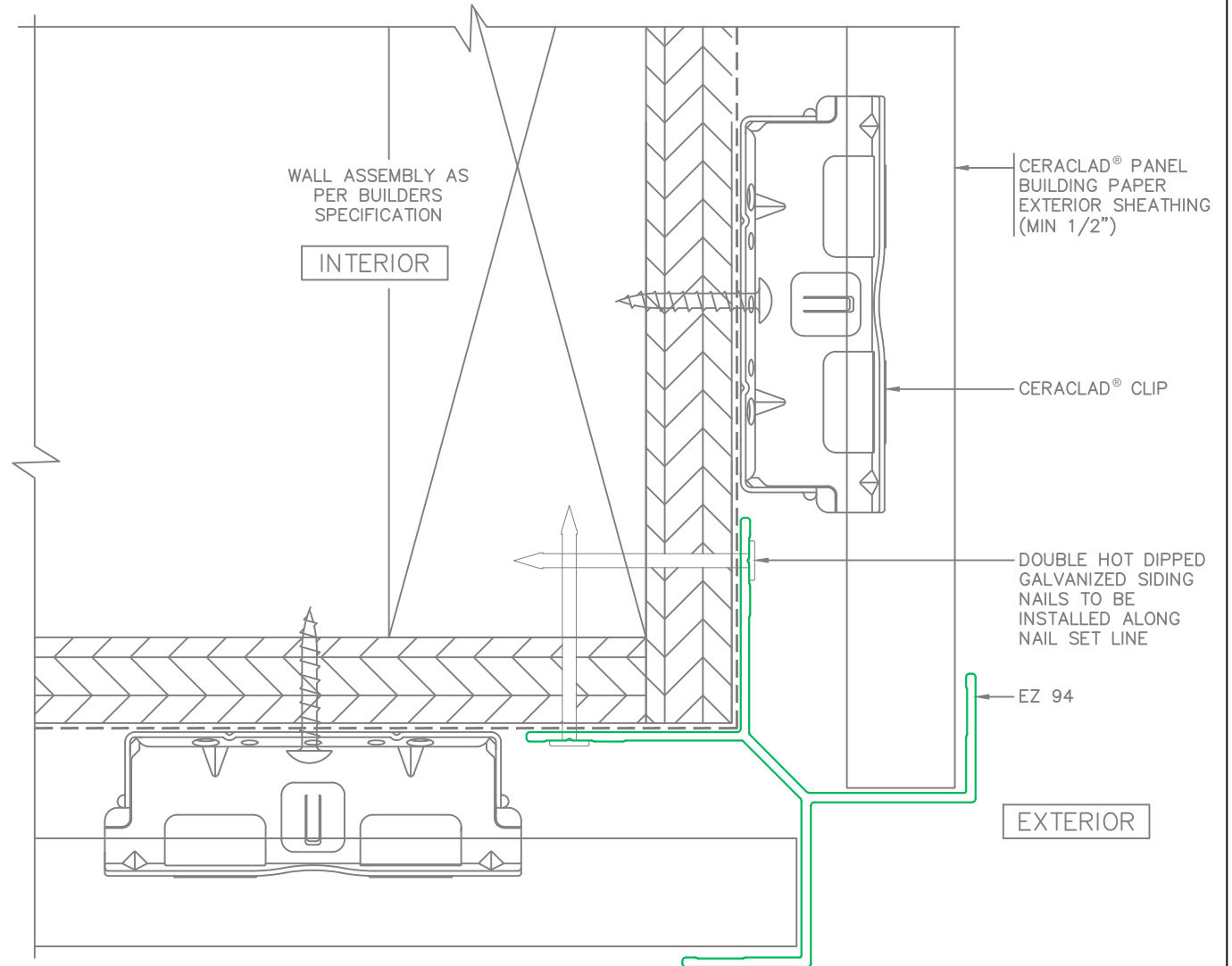
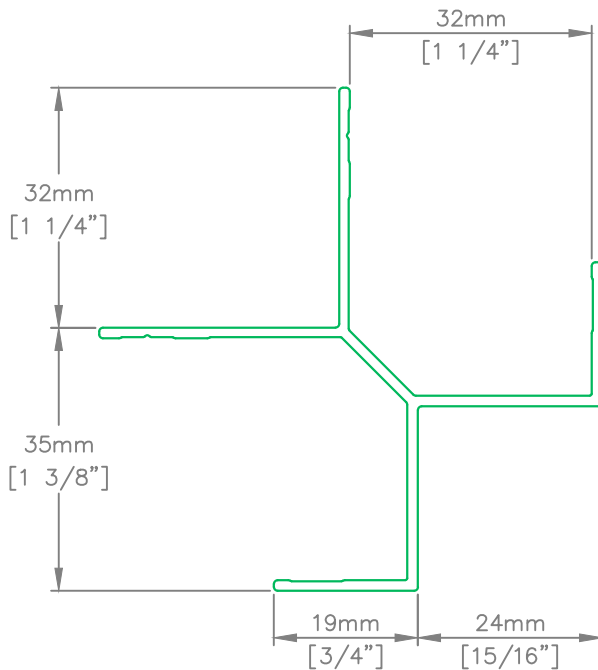
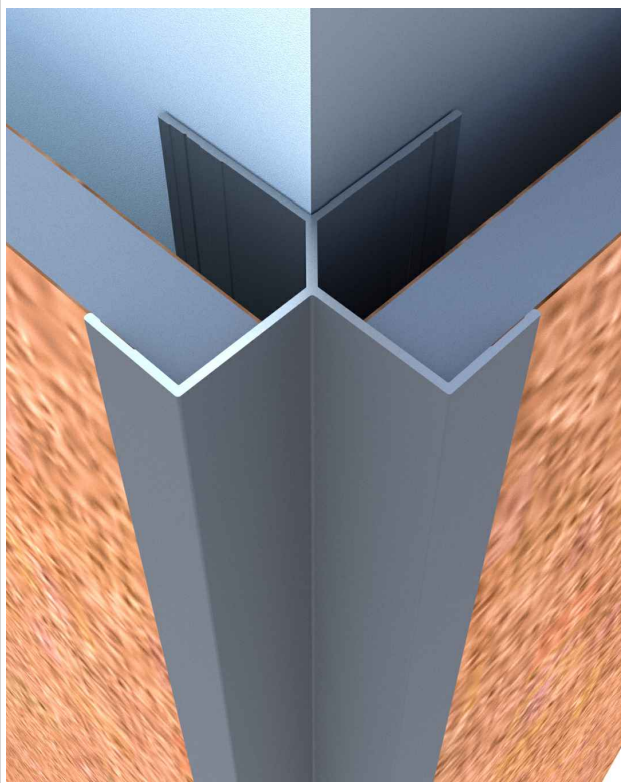
NOTE:
LOCATION, SPACING & FASTENING OF
CERACLAD® STARTER, SPACER AND CLIPS
AS PER CERACLAD® SPECIFICATIONS

DESCRIPTION			
EZ 92 2-PIECE VERTICAL U 1-1/4" TRIM			
	SCALE	NTS	DRAWING NUMBER
	DATE	NOV2023	EZ92.1
	DRWN BY	HJ/DDG	




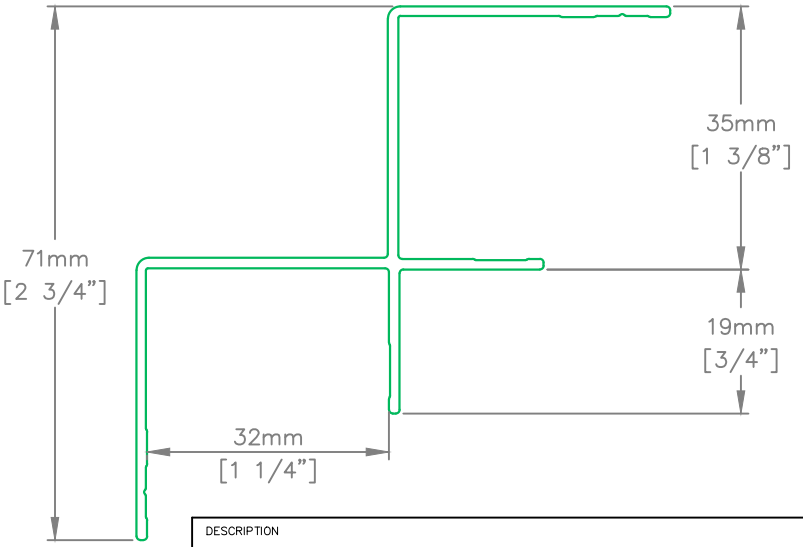
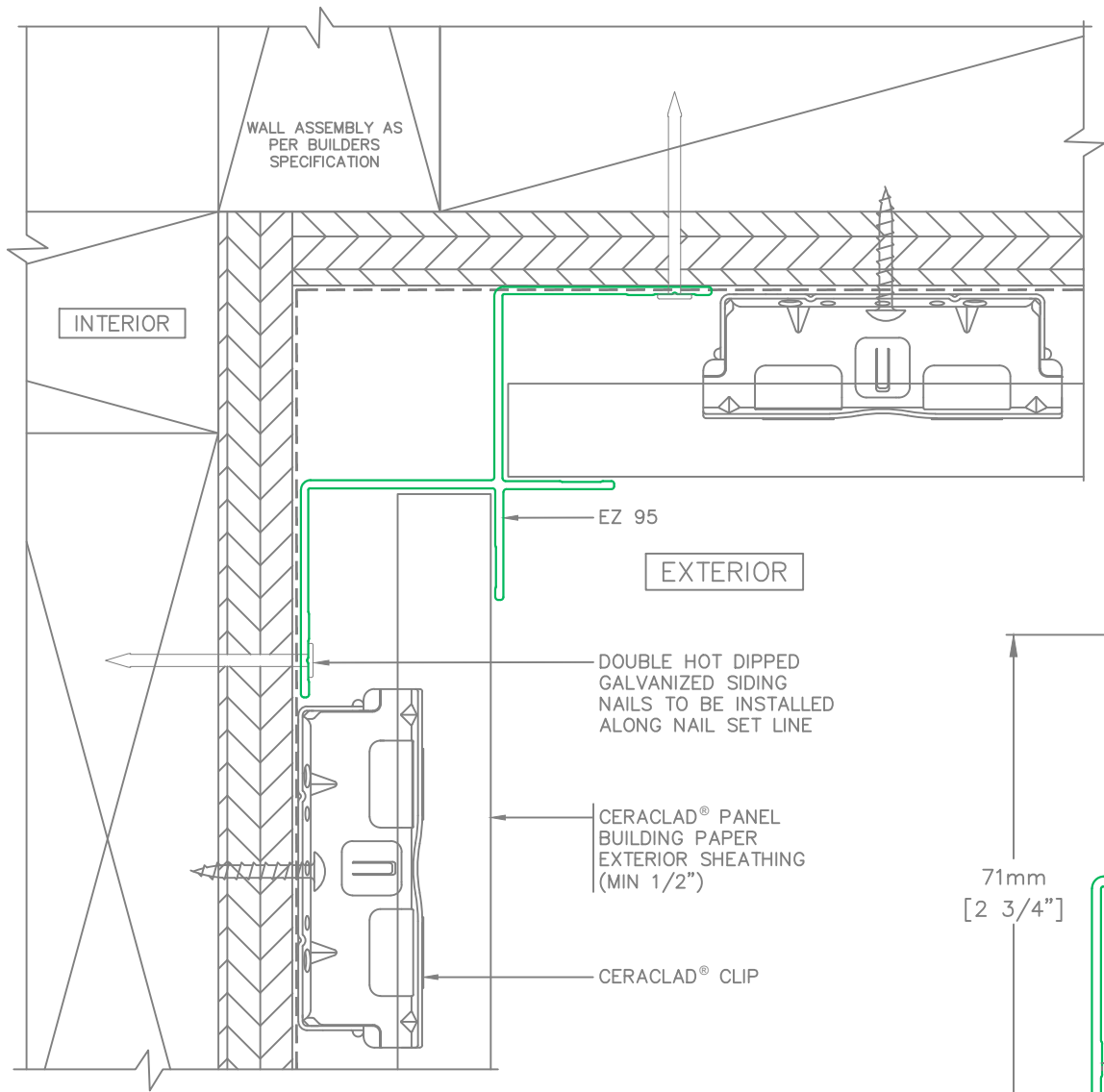
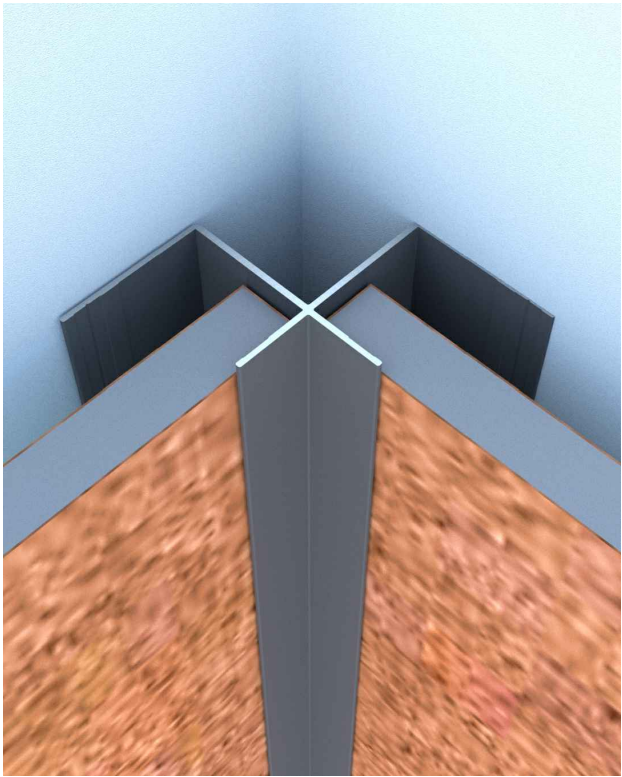
NOTE:
 LOCATION, SPACING & FASTENING OF
 CERACLAD® STARTER, SPACER AND CLIPS
 AS PER CERACLAD® SPECIFICATIONS

DESCRIPTION			
EZ 93 ARROW OUTSIDE CORNER 1-1/4" TRIM			
	SCALE	NTS	DRAWING NUMBER
	DATE	NOV2023	EZ93.1
	DRWN BY	HJ/DDG	



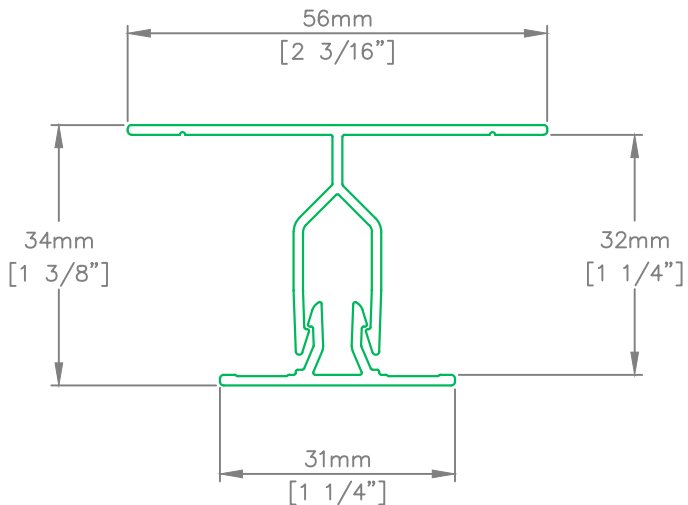
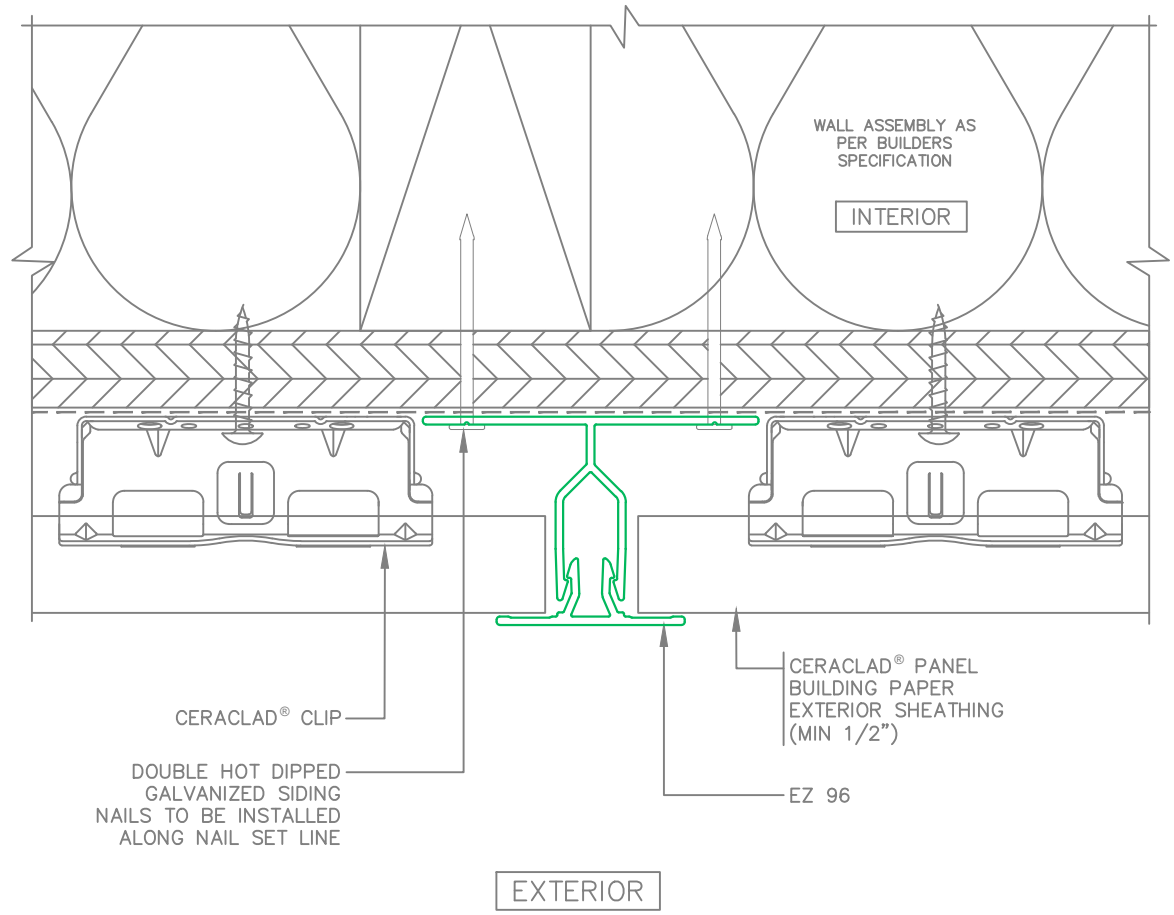
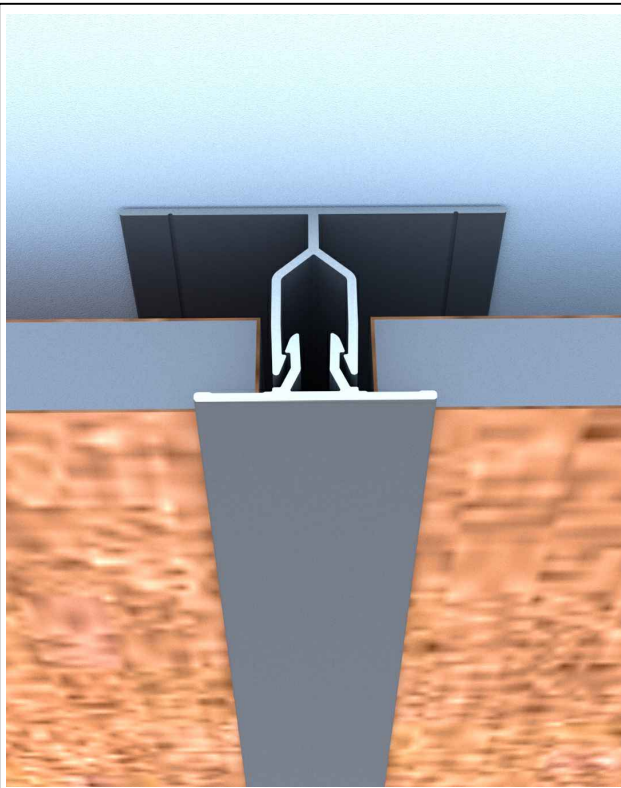
NOTE:
 LOCATION, SPACING & FASTENING OF
 CERACLAD® STARTER, SPACER AND CLIPS
 AS PER CERACLAD® SPECIFICATIONS

DESCRIPTION			
EZ 94 X OUTSIDE CORNER 1-1/4" TRIM			
	SCALE	NTS	DRAWING NUMBER
	DATE	NOV2023	EZ94.1
DRWN BY	HJ/DDG		




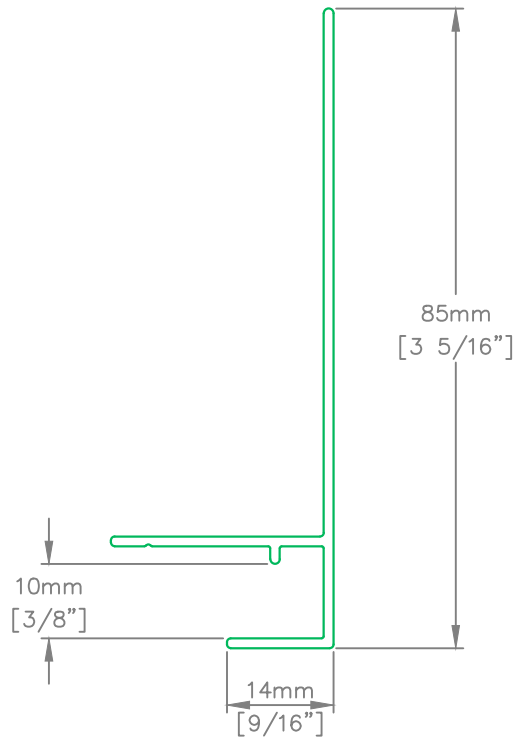
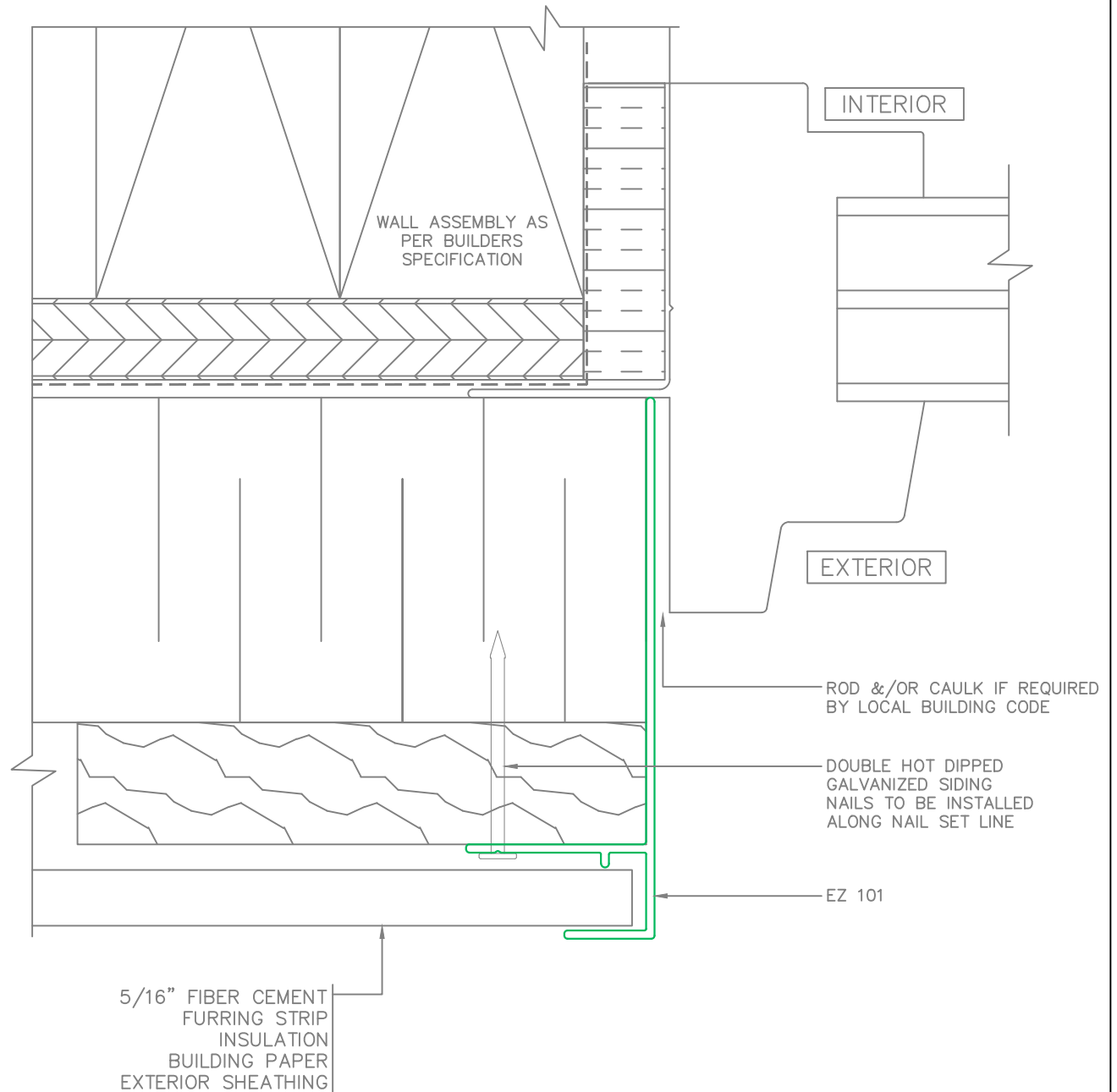
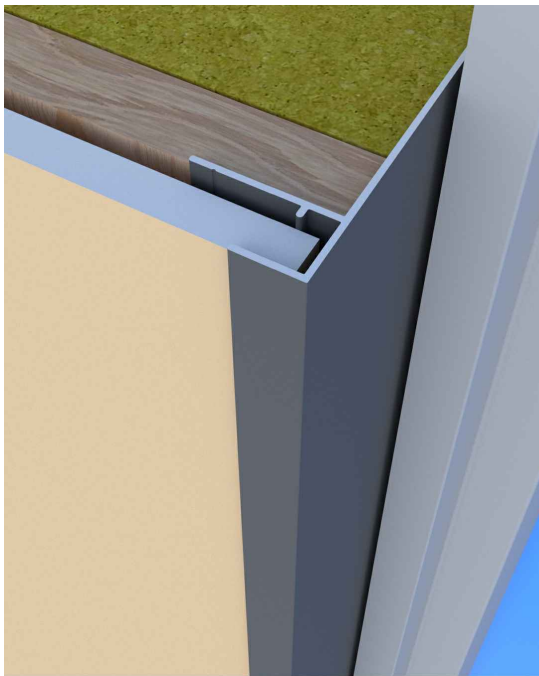
DESCRIPTION			
EZ 95 INSIDE CORNER 1-1/4" TRIM			
	SCALE	NTS	DRAWING NUMBER
	DATE	NOV2023	EZ95.1
	DRWN BY	HJ/DDG	


NOTE:
LOCATION, SPACING & FASTENING OF
CERACLAD® STARTER, SPACER AND CLIPS
AS PER CERACLAD® SPECIFICATIONS

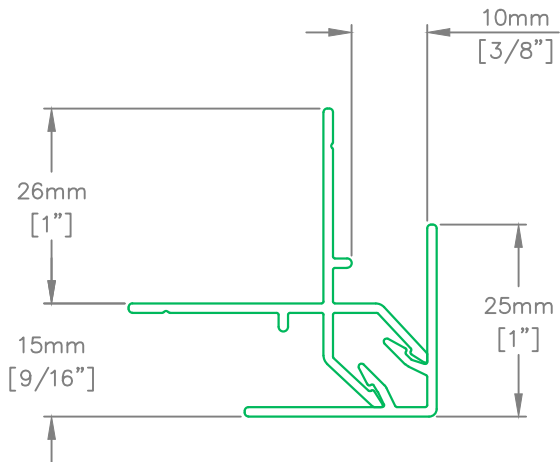
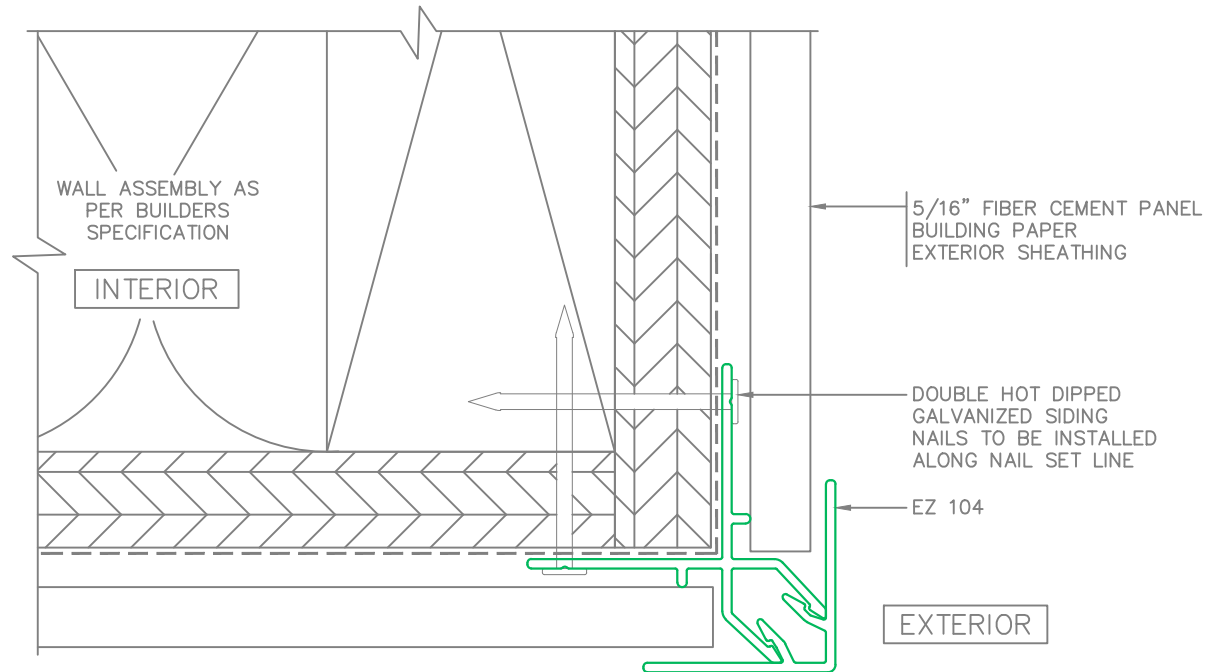
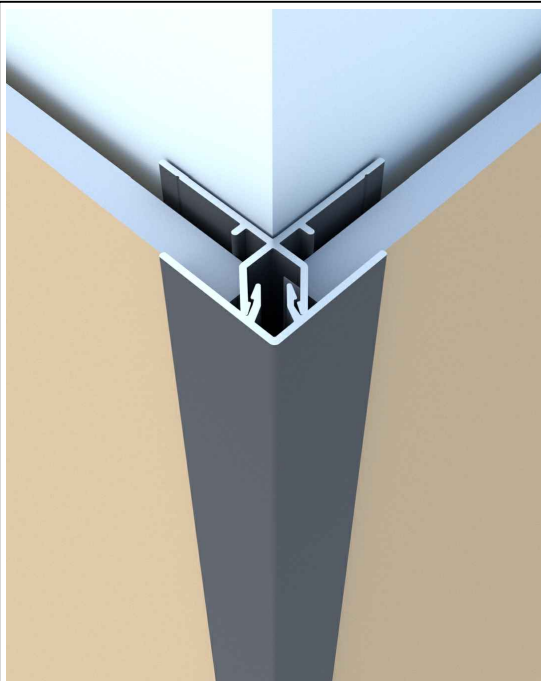



NOTE:
 LOCATION, SPACING & FASTENING OF CERACLAD® STARTER, SPACER AND CLIPS AS PER CERACLAD® SPECIFICATIONS

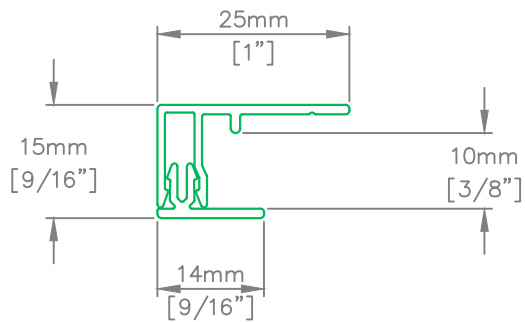
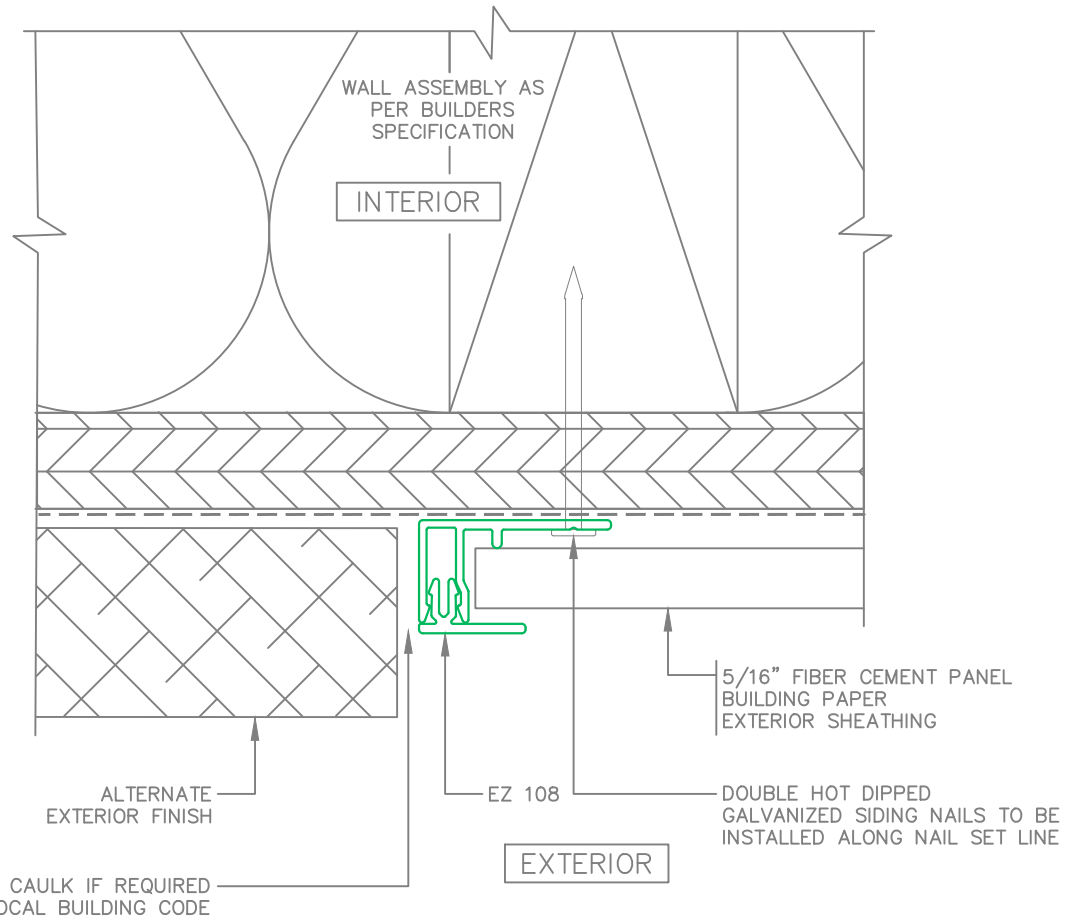
DESCRIPTION			
EZ 96 2-PIECE VERTICAL SLT 1-1/4" TRIM			
	SCALE	NTS	DRAWING NUMBER
	DATE	NOV2023	EZ96.1
	DRWN BY	HJ/DDG	



DESCRIPTION			
EZ 101 VERTICAL 2" INSULATED WINDOW & DOOR JAMB 5/16" TRIM			
	SCALE	NTS	DRAWING NUMBER
	DATE	NOV2023	EZ101.1
DRWN BY	HJ/DDG		



DESCRIPTION			
EZ 104 2-PIECE ARROW OUTSIDE CORNER 5/16" TRIM			
	SCALE	NTS	DRAWING NUMBER
	DATE	NOV2023	EZ104.1
	DRWN BY	HJ/DDG	



DESCRIPTION			
EZ 108 2-PIECE J 5/16" TRIM			
	SCALE	NTS	DRAWING NUMBER
	DATE	NOV2023	EZ108.1
	DRWN BY	HJ/DDG	