

## INTREPID TYPICAL DETAILS

### TABLE OF CONTENTS

(Click on the drawing name below to be directed to the right section.)

[2" LINK & LOCK WITH END MOUNT ATTACHMENT DETAIL](#)

[4" LINK & LOCK WITH END MOUNT ATTACHMENT DETAIL](#)

[6" LINK & LOCK WITH END MOUNT ATTACHMENT DETAIL](#)

[8" LINK & LOCK WITH END MOUNT ATTACHMENT DETAIL](#)

[LINK & LOCK WITH END MOUNT - SIDE VIEW](#)

[6" LINK & LOCK HD WITH END MOUNT ATTACHMENT DETAIL](#)

[8" LINK & LOCK HD WITH END MOUNT ATTACHMENT DETAIL](#)

[LINK & LOCK HD WITH END MOUNT - SIDE VIEW](#)

[LINK & LOCK 'BATTEN' APPLICATION](#)

[LINK & LOCK 'FIN' APPLICATION](#)

[LINK & LOCK 'BATTEN' APPLICATION WITH STIFFENER](#)

[LINK & LOCK 'FIN' APPLICATION WITH STIFFENER](#)

[LINK & LOCK HD 'BATTEN' APPLICATION](#)

[LINK & LOCK HD 'FIN' APPLICATION](#)

[4" X 4" LINK & LOCK ATTACHMENT DETAIL](#)

[4" X 6" LINK & LOCK ATTACHMENT DETAIL](#)

[LINK & LOCK CORNER DETAIL - BATTEN APPLICATION](#)

[LINK & LOCK CORNER DETAIL - FIN APPLICATION](#)

[LINK & LOCK BUTT-JOINT DETAIL - BATTEN APPLICATION](#)

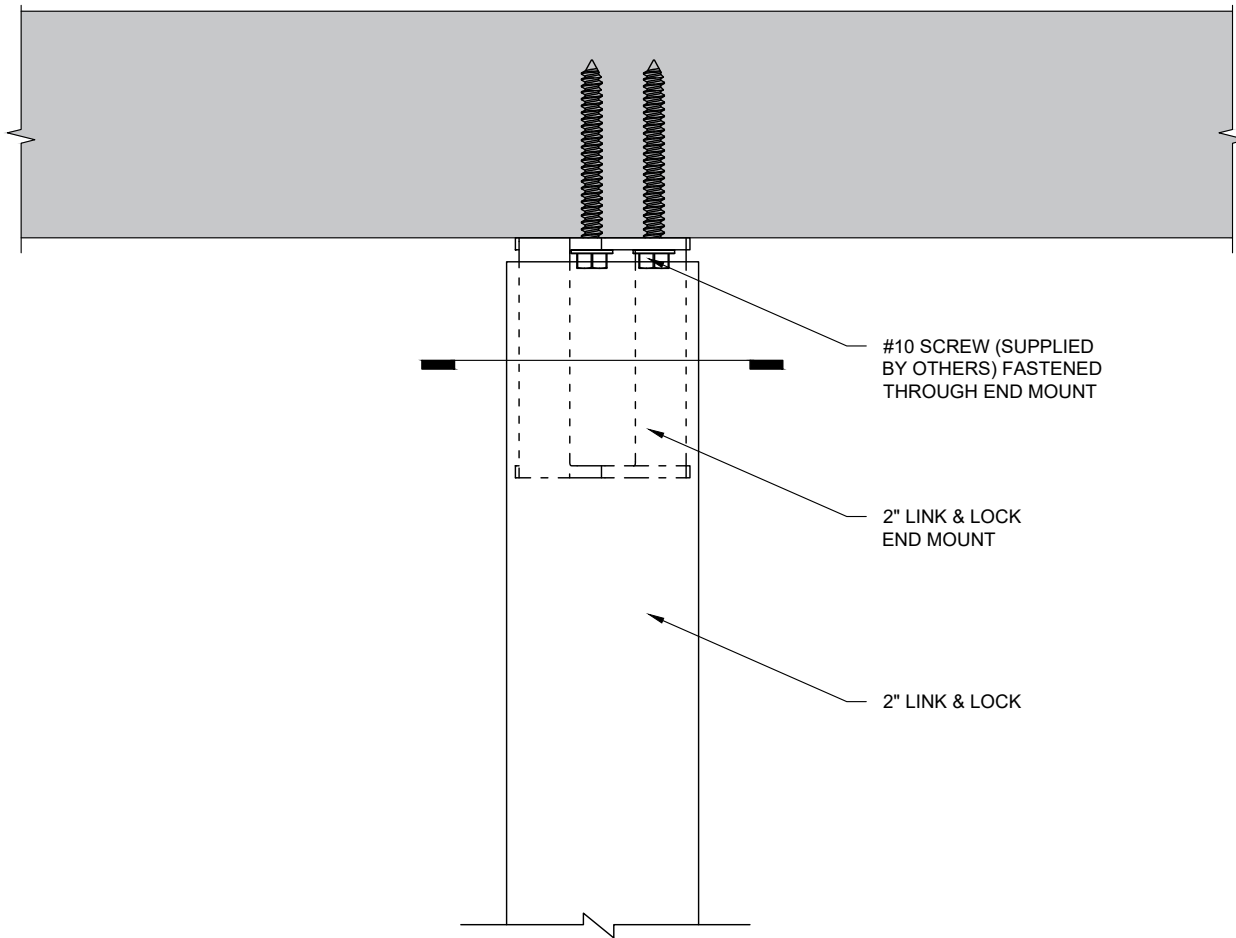
[LINK & LOCK LAP-JOINT DETAIL](#)

[LINK & LOCK SLIDING BRACKET ATTACHMENT - HORIZONTAL SUBSTRATE](#)

[LINK & LOCK FIXED BRACKET ATTACHMENT - HORIZONTAL SUBSTRATE](#)

[LINK & LOCK SLIDING BRACKET ATTACHMENT - VERTICAL SUBSTRATE](#)

[LINK & LOCK FIXED BRACKET ATTACHMENT - VERTICAL SUBSTRATE](#)

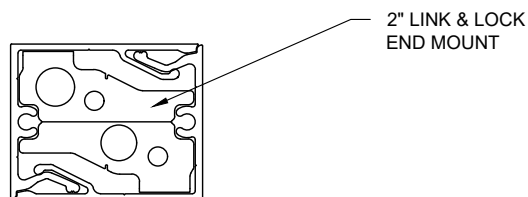


#10 SCREW (SUPPLIED BY OTHERS) FASTENED THROUGH END MOUNT

2" LINK & LOCK END MOUNT

2" LINK & LOCK

ELEVATION



2" LINK & LOCK END MOUNT

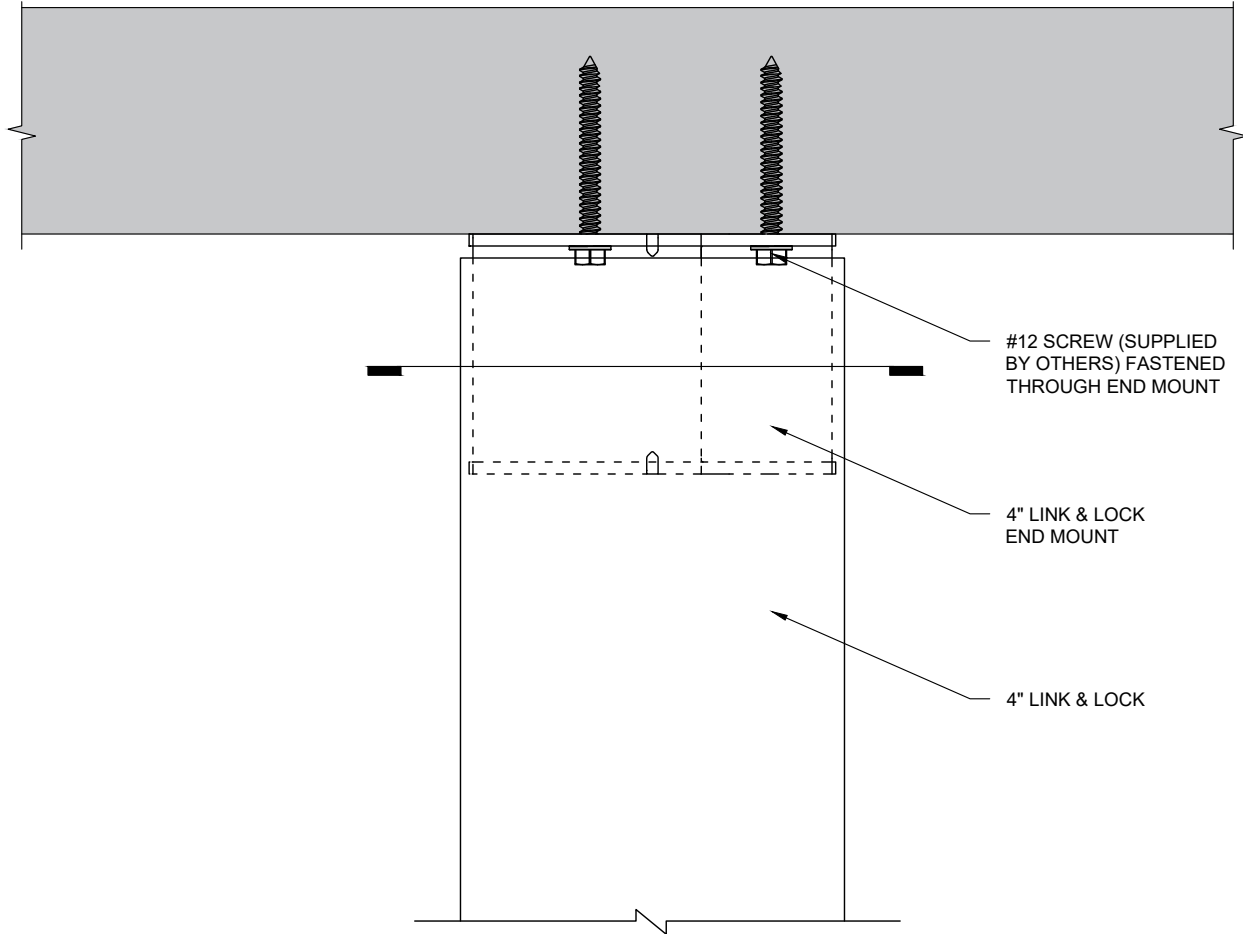
PLAN

2" LINK & LOCK™ WITH END MOUNT  
ATTACHMENT DETAIL

SCALE: 1:2

These drawings are published as an information guide only. These CAD drawings are intended as templates to assist the designer, they do not contain the full detail required for construction and must be read in conjunction with the installation instructions on [www.longboardproducts.com](http://www.longboardproducts.com). You should obtain architectural, engineering or other technical advice to assess the suitability of these drawings to the requirements of your particular project. Mayne Coatings Corp. and Longboard products accepts no liability in respect to the use of these drawings. For complete installation instructions refer to the appropriate documentation here [www.longboardproducts.com/resources/technical-documentation/installation-guides](http://www.longboardproducts.com/resources/technical-documentation/installation-guides)



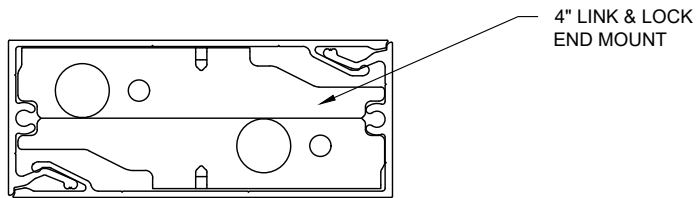


#12 SCREW (SUPPLIED BY OTHERS) FASTENED THROUGH END MOUNT

4" LINK & LOCK END MOUNT

4" LINK & LOCK

ELEVATION



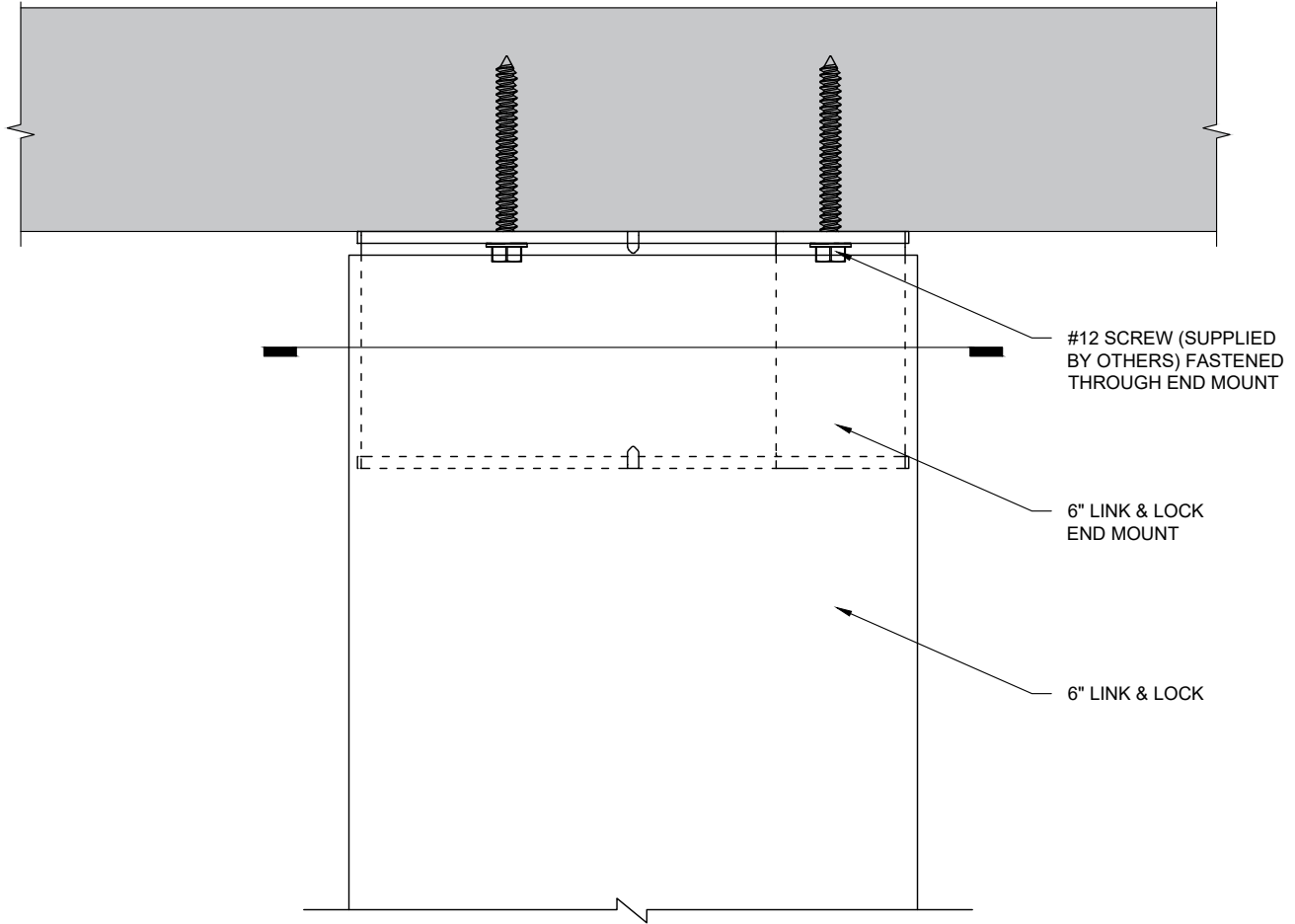
4" LINK & LOCK END MOUNT

PLAN

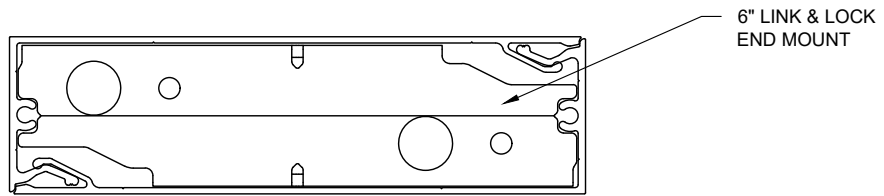
4" LINK & LOCK™ WITH END MOUNT  
ATTACHMENT DETAIL  
SCALE: 1:2



These drawings are published as an information guide only. These CAD drawings are intended as templates to assist the designer, they do not contain the full detail required for construction and must be read in conjunction with the installation instructions on [www.longboardproducts.com](http://www.longboardproducts.com). You should obtain architectural, engineering or other technical advice to assess the suitability of these drawings to the requirements of your particular project. Mayne Coatings Corp. and Longboard products accepts no liability in respect to the use of these drawings. For complete installation instructions refer to the appropriate documentation here [www.longboardproducts.com/resources/technical-documentation/installation-guides](http://www.longboardproducts.com/resources/technical-documentation/installation-guides)



ELEVATION

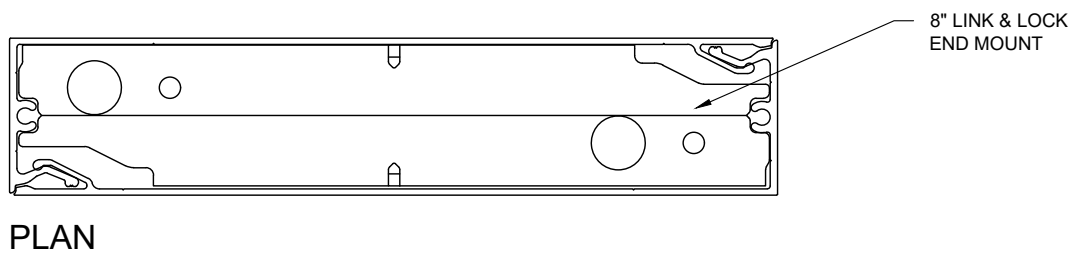
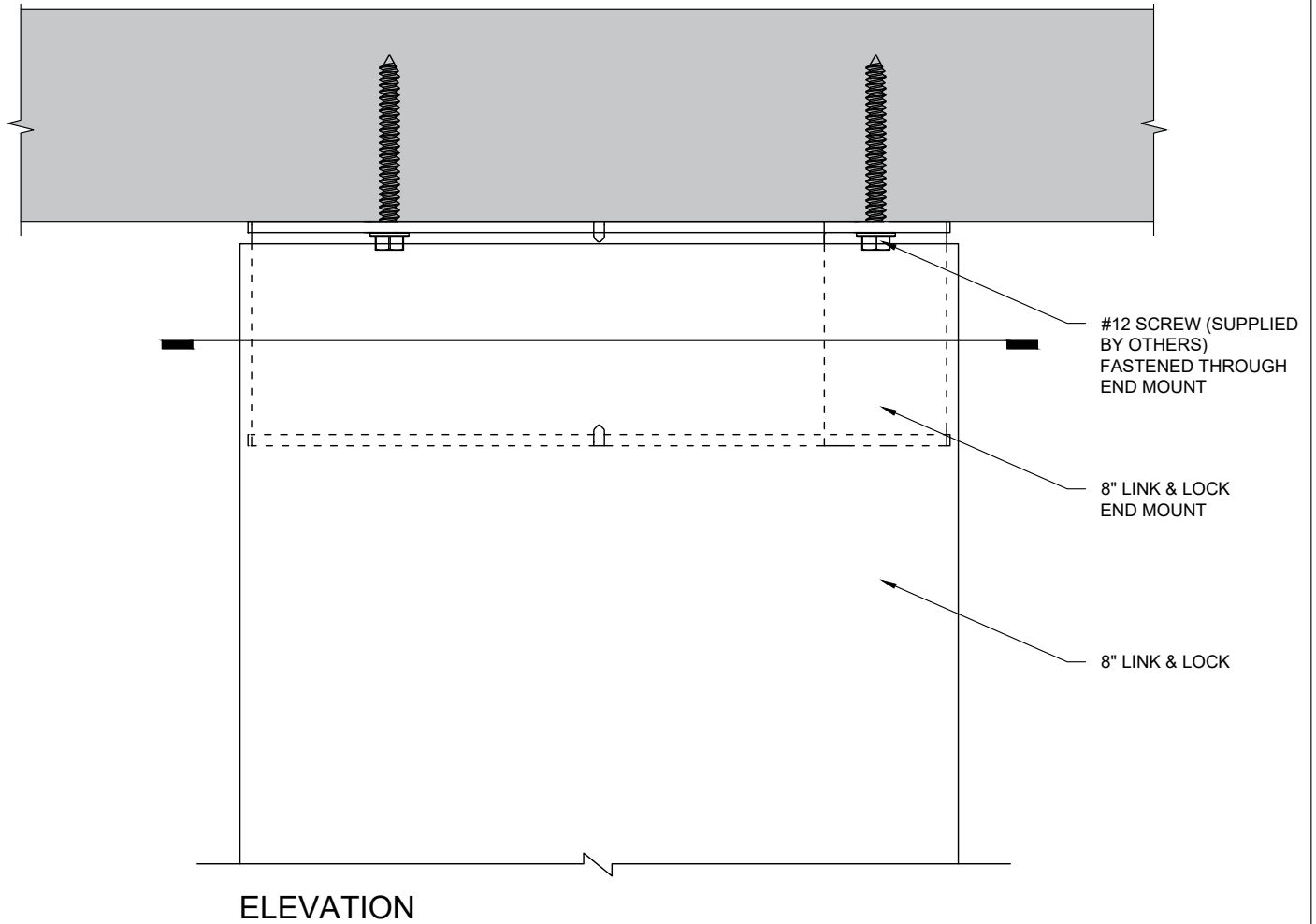


PLAN

These drawings are published as an information guide only. These CAD drawings are intended as templates to assist the designer, they do not contain the full detail required for construction and must be read in conjunction with the installation instructions on [www.longboardproducts.com](http://www.longboardproducts.com). You should obtain architectural, engineering or other technical advice to assess the suitability of these drawings to the requirements of your particular project. Mayne Coatings Corp. and Longboard products accepts no liability in respect to the use of these drawings. For complete installation instructions refer to the appropriate documentation here [www.longboardproducts.com/resources/technical-documentation/installation-guides](http://www.longboardproducts.com/resources/technical-documentation/installation-guides)

6" LINK & LOCK™ WITH END MOUNT  
ATTACHMENT DETAIL  
SCALE: 1:2

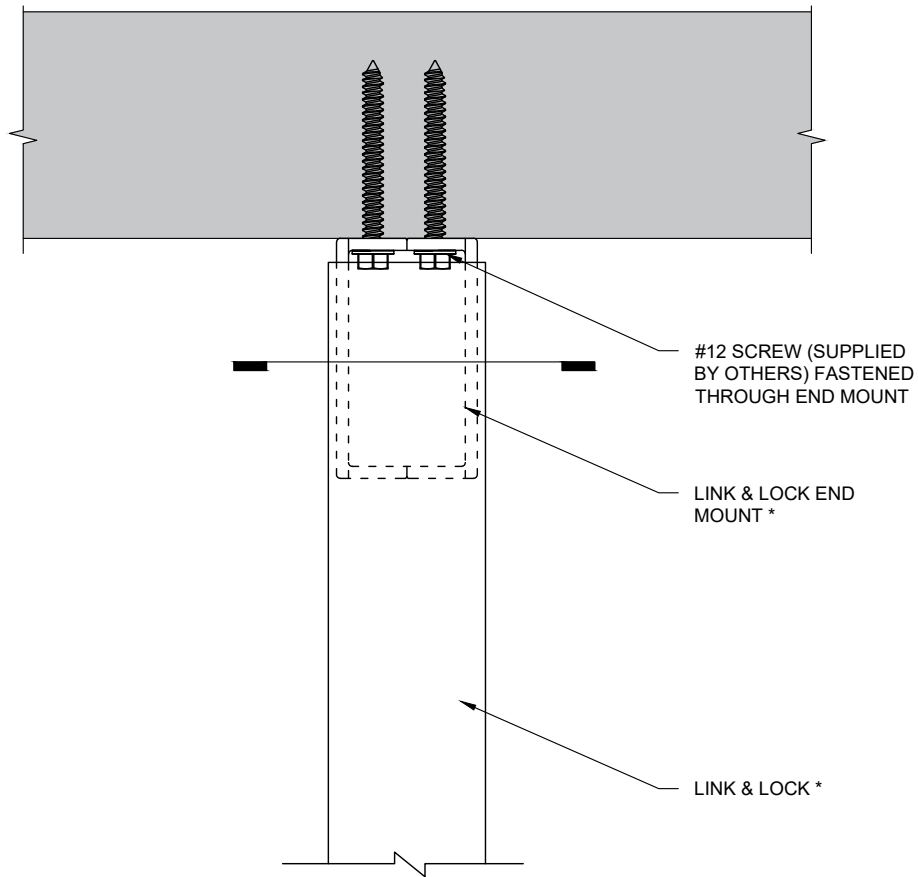




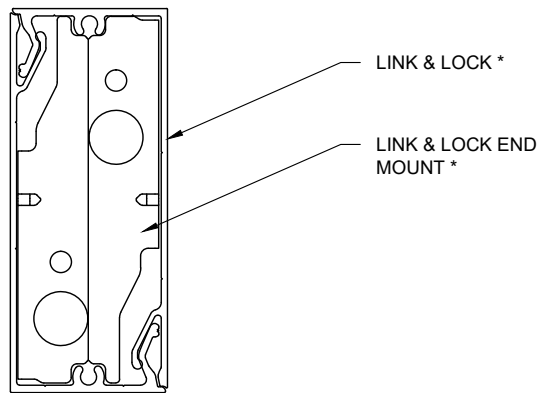
These drawings are published as an information guide only. These CAD drawings are intended as templates to assist the designer, they do not contain the full detail required for construction and must be read in conjunction with the installation instructions on [www.longboardproducts.com](http://www.longboardproducts.com). You should obtain architectural, engineering or other technical advice to assess the suitability of these drawings to the requirements of your particular project. Mayne Coatings Corp. and Longboard products accepts no liability in respect to the use of these drawings. For complete installation instructions refer to the appropriate documentation here [www.longboardproducts.com/resources/technical-documentation/installation-guides](http://www.longboardproducts.com/resources/technical-documentation/installation-guides)

8" LINK & LOCK™ WITH END MOUNT  
ATTACHMENT DETAIL  
SCALE: 1:2





ELEVATION



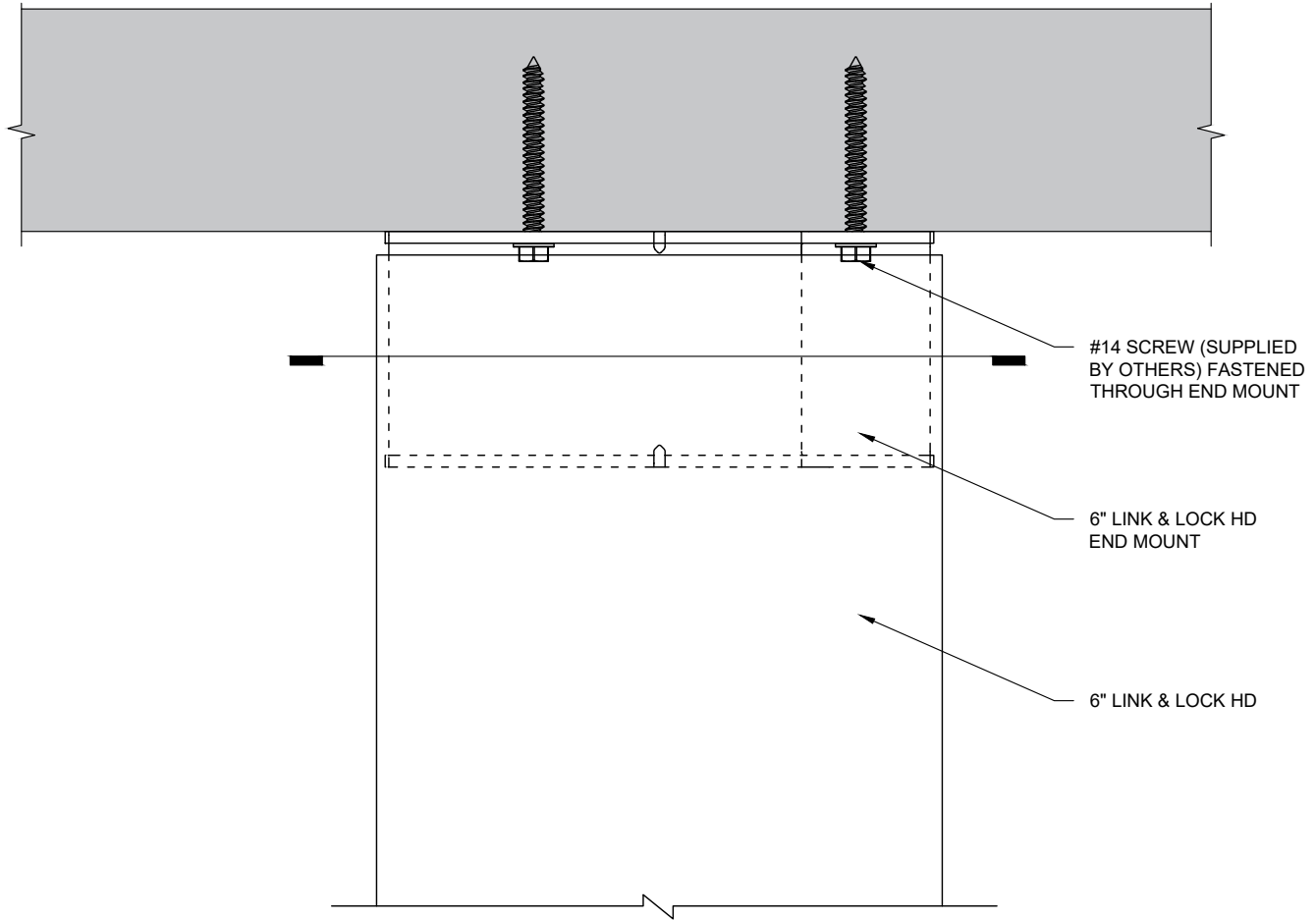
PLAN

\* THIS APPLICATION COULD BE TYPICAL FOR ALL LINK & LOCK END MOUNTS.

These drawings are published as an information guide only. These CAD drawings are intended as templates to assist the designer, they do not contain the full detail required for construction and must be read in conjunction with the installation instructions on [www.longboardproducts.com](http://www.longboardproducts.com). You should obtain architectural, engineering or other technical advice to assess the suitability of these drawings to the requirements of your particular project. Mayne Coatings Corp. and Longboard products accepts no liability in respect to the use of these drawings. For complete installation instructions refer to the appropriate documentation here [www.longboardproducts.com/resources/technical-documentation/installation-guides](http://www.longboardproducts.com/resources/technical-documentation/installation-guides)

LINK & LOCK™ WITH END MOUNT  
 SIDE VIEW  
 SCALE: 1:2



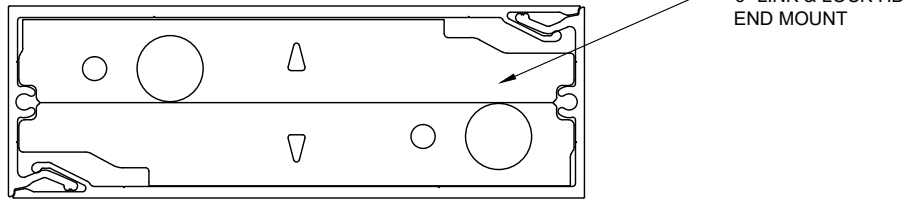


#14 SCREW (SUPPLIED BY OTHERS) FASTENED THROUGH END MOUNT

6" LINK & LOCK HD END MOUNT

6" LINK & LOCK HD

ELEVATION



6" LINK & LOCK HD END MOUNT

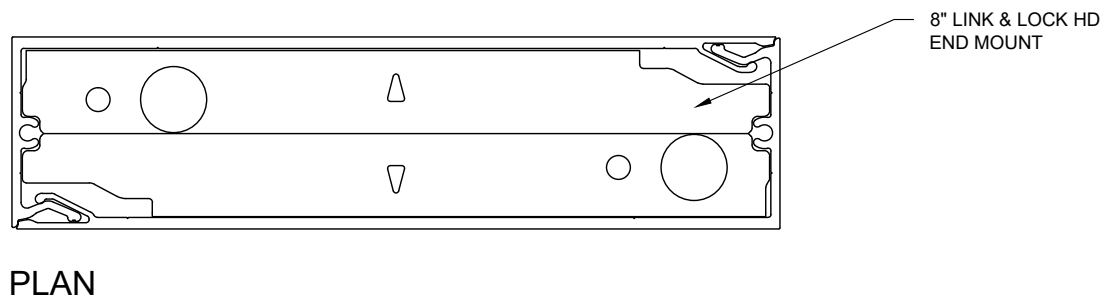
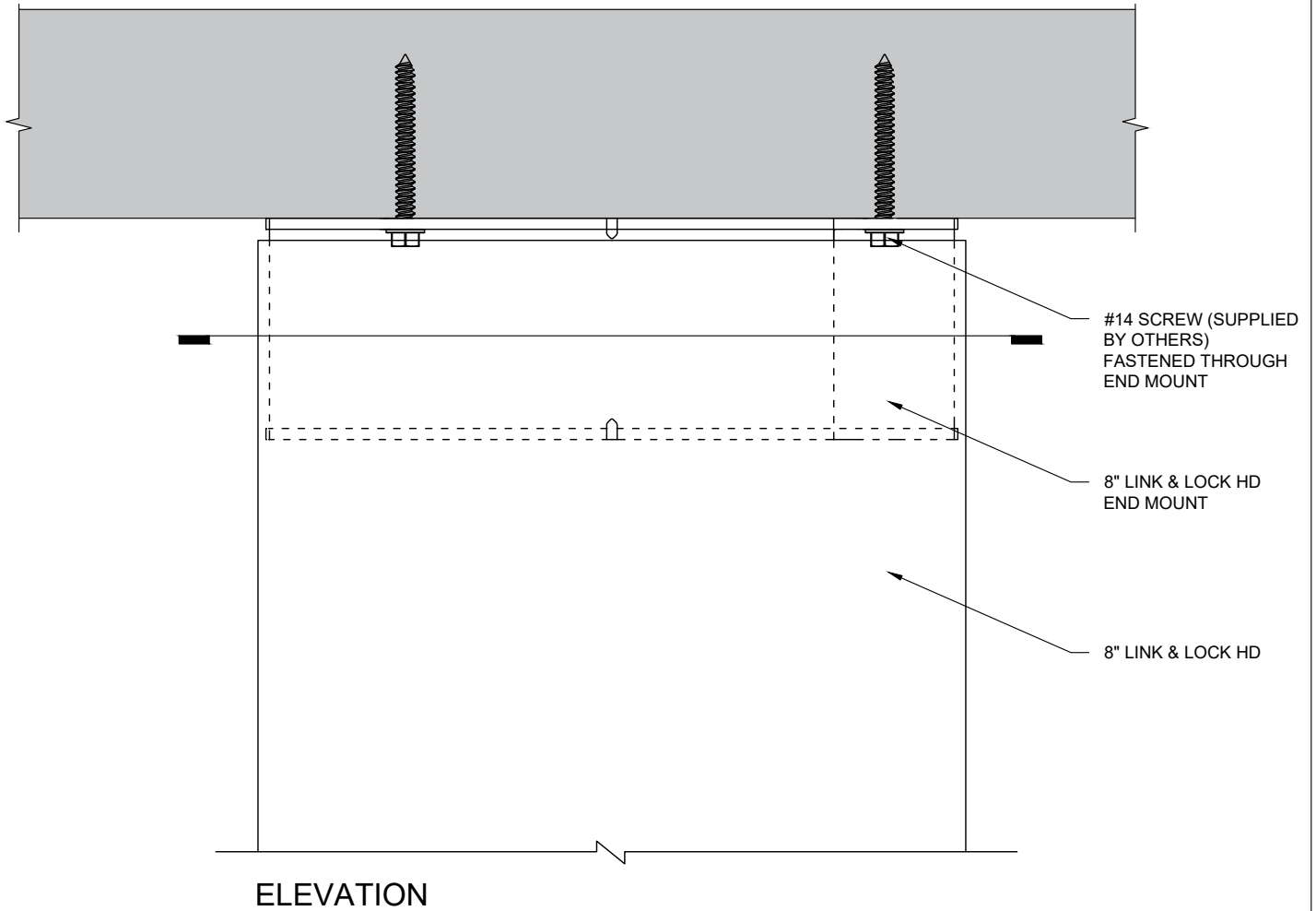
PLAN

6" LINK & LOCK™ HD WITH END MOUNT  
ATTACHMENT DETAIL

SCALE: 1:2

These drawings are published as an information guide only. These CAD drawings are intended as templates to assist the designer, they do not contain the full detail required for construction and must be read in conjunction with the installation instructions on [www.longboardproducts.com](http://www.longboardproducts.com). You should obtain architectural, engineering or other technical advice to assess the suitability of these drawings to the requirements of your particular project. Mayne Coatings Corp. and Longboard products accepts no liability in respect to the use of these drawings. For complete installation instructions refer to the appropriate documentation here [www.longboardproducts.com/resources/technical-documentation/installation-guides](http://www.longboardproducts.com/resources/technical-documentation/installation-guides)



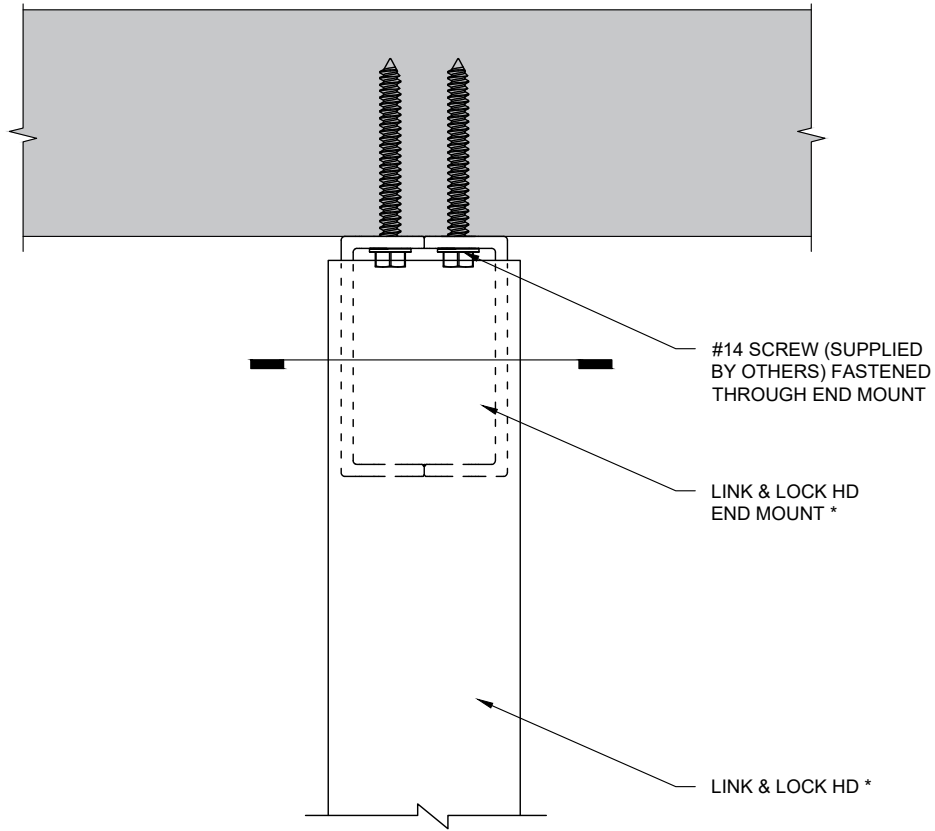


These drawings are published as an information guide only. These CAD drawings are intended as templates to assist the designer, they do not contain the full detail required for construction and must be read in conjunction with the installation instructions on [www.longboardproducts.com](http://www.longboardproducts.com). You should obtain architectural, engineering or other technical advice to assess the suitability of these drawings to the requirements of your particular project. Mayne Coatings Corp. and Longboard products accepts no liability in respect to the use of these drawings. For complete installation instructions refer to the appropriate documentation here [www.longboardproducts.com/resources/technical-documentation/installation-guides](http://www.longboardproducts.com/resources/technical-documentation/installation-guides)

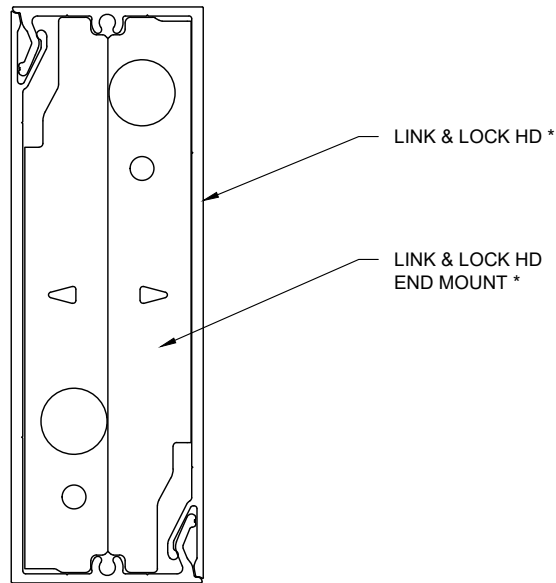
8" LINK & LOCK™ HD WITH END MOUNT  
ATTACHMENT DETAIL  
SCALE: 1:2







ELEVATION



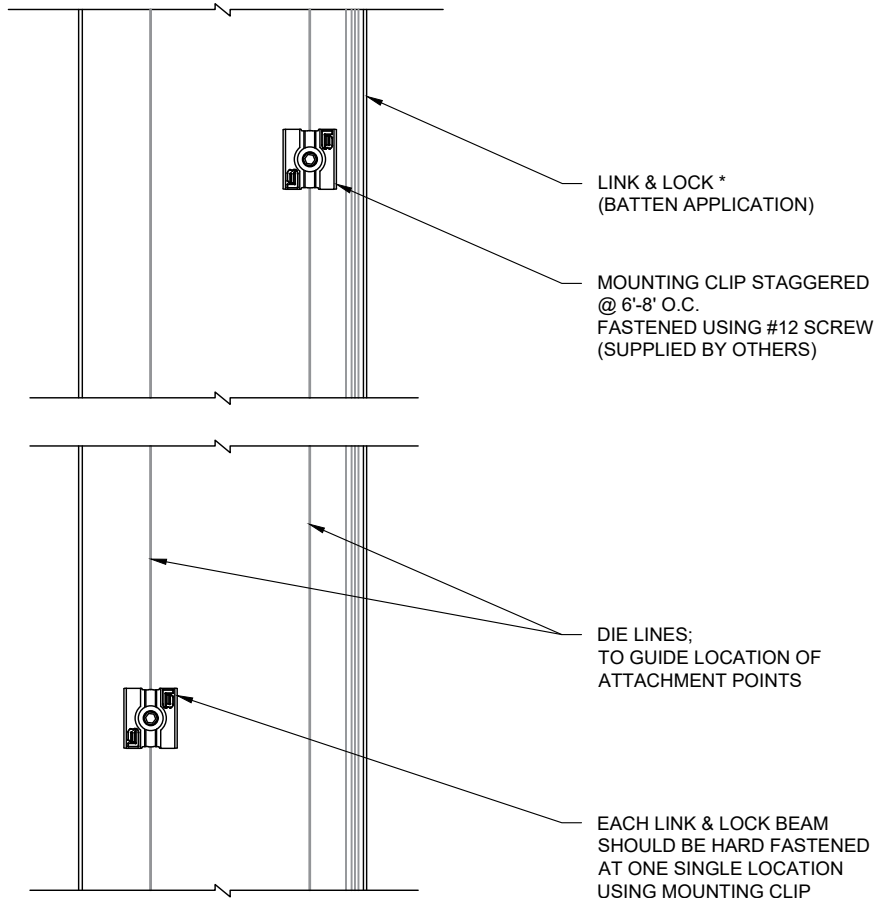
PLAN

\* THIS APPLICATION COULD BE TYPICAL FOR ALL LINK & LOCK HD END MOUNTS.

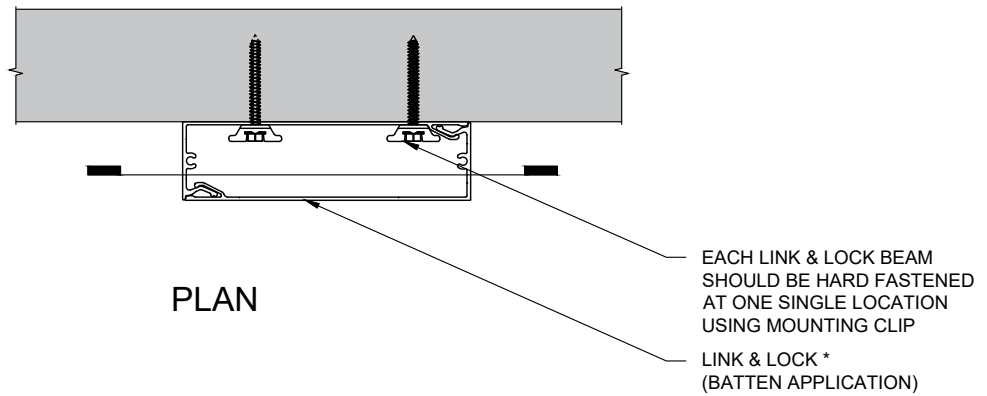
These drawings are published as an information guide only. These CAD drawings are intended as templates to assist the designer, they do not contain the full detail required for construction and must be read in conjunction with the installation instructions on [www.longboardproducts.com](http://www.longboardproducts.com). You should obtain architectural, engineering or other technical advice to assess the suitability of these drawings to the requirements of your particular project. Mayne Coatings Corp. and Longboard products accepts no liability in respect to the use of these drawings. For complete installation instructions refer to the appropriate documentation here [www.longboardproducts.com/resources/technical-documentation/installation-guides](http://www.longboardproducts.com/resources/technical-documentation/installation-guides)

LINK & LOCK™ HD WITH END MOUNT  
 SIDE VIEW  
 SCALE: 1:2





SECTION



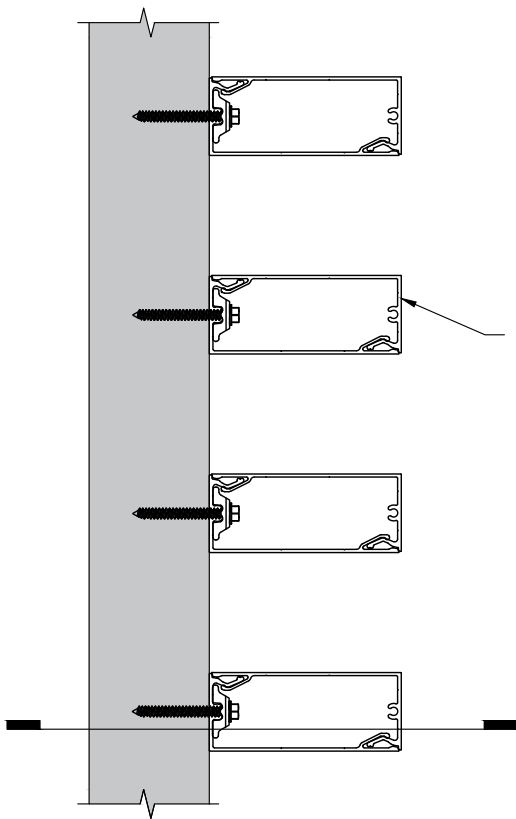
PLAN

\* THIS APPLICATION COULD BE TYPICAL FOR ALL LINK & LOCK PROFILES.

These drawings are published as an information guide only. These CAD drawings are intended as templates to assist the designer, they do not contain the full detail required for construction and must be read in conjunction with the installation instructions on [www.longboardproducts.com](http://www.longboardproducts.com). You should obtain architectural, engineering or other technical advice to assess the suitability of these drawings to the requirements of your particular project. Mayne Coatings Corp. and Longboard products accepts no liability in respect to the use of these drawings. For complete installation instructions refer to the appropriate documentation here [www.longboardproducts.com/resources/technical-documentation/installation-guides](http://www.longboardproducts.com/resources/technical-documentation/installation-guides)

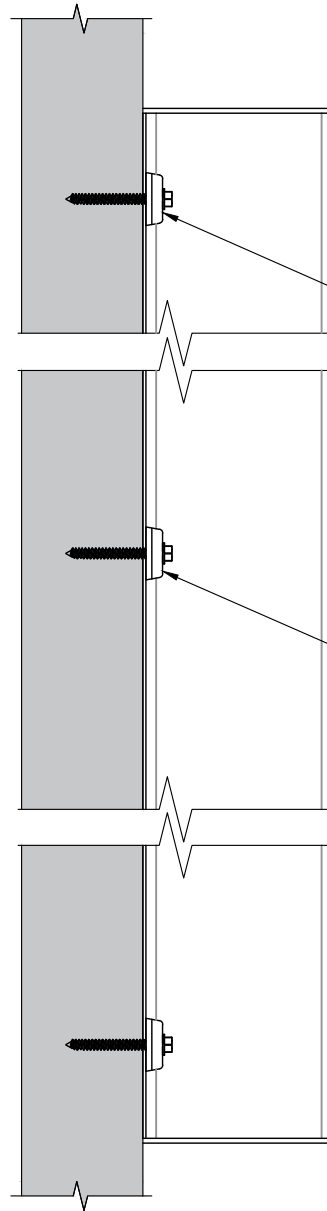
LINK & LOCK™ BATTEN  
APPLICATION  
SCALE: 1:4





LINK & LOCK \*

PLAN



EACH LINK & LOCK BEAM SHOULD BE HARD FASTENED AT ONE SINGLE LOCATION USING MOUNTING CLIP

MOUNTING CLIP @ 6'-8" O.C. FASTENED USING #12 SCREW (SUPPLIED BY OTHERS)

LINK & LOCK \*

SECTION

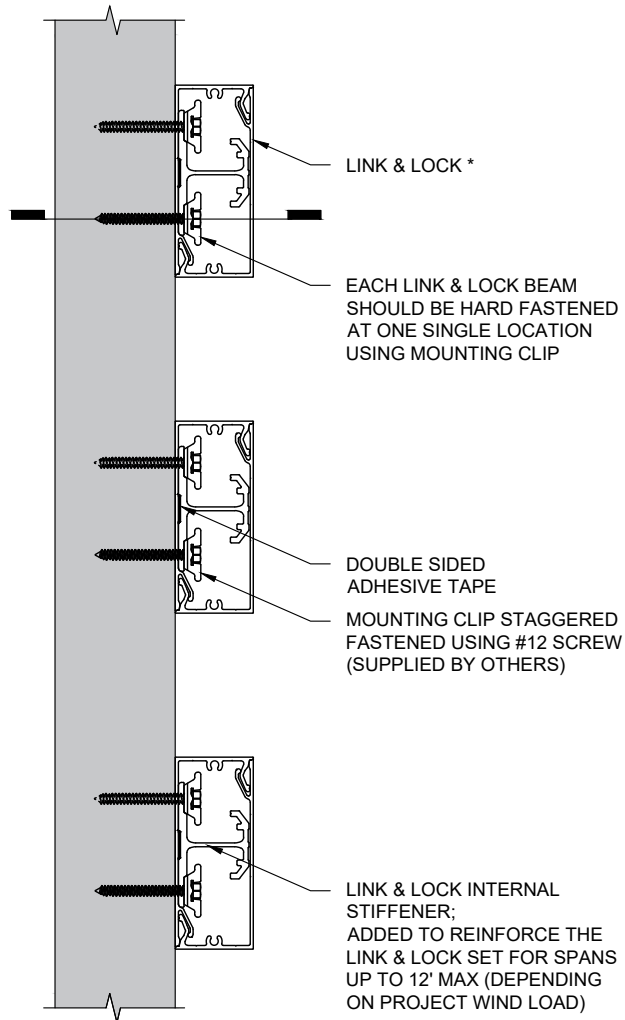
\* THIS APPLICATION COULD BE TYPICAL FOR ALL LINK & LOCK PROFILES.

These drawings are published as an information guide only. These CAD drawings are intended as templates to assist the designer, they do not contain the full detail required for construction and must be read in conjunction with the installation instructions on [www.longboardproducts.com](http://www.longboardproducts.com). You should obtain architectural, engineering or other technical advice to assess the suitability of these drawings to the requirements of your particular project. Mayne Coatings Corp. and Longboard products accepts no liability in respect to the use of these drawings. For complete installation instructions refer to the appropriate documentation here [www.longboardproducts.com/resources/technical-documentation/installation-guides](http://www.longboardproducts.com/resources/technical-documentation/installation-guides)

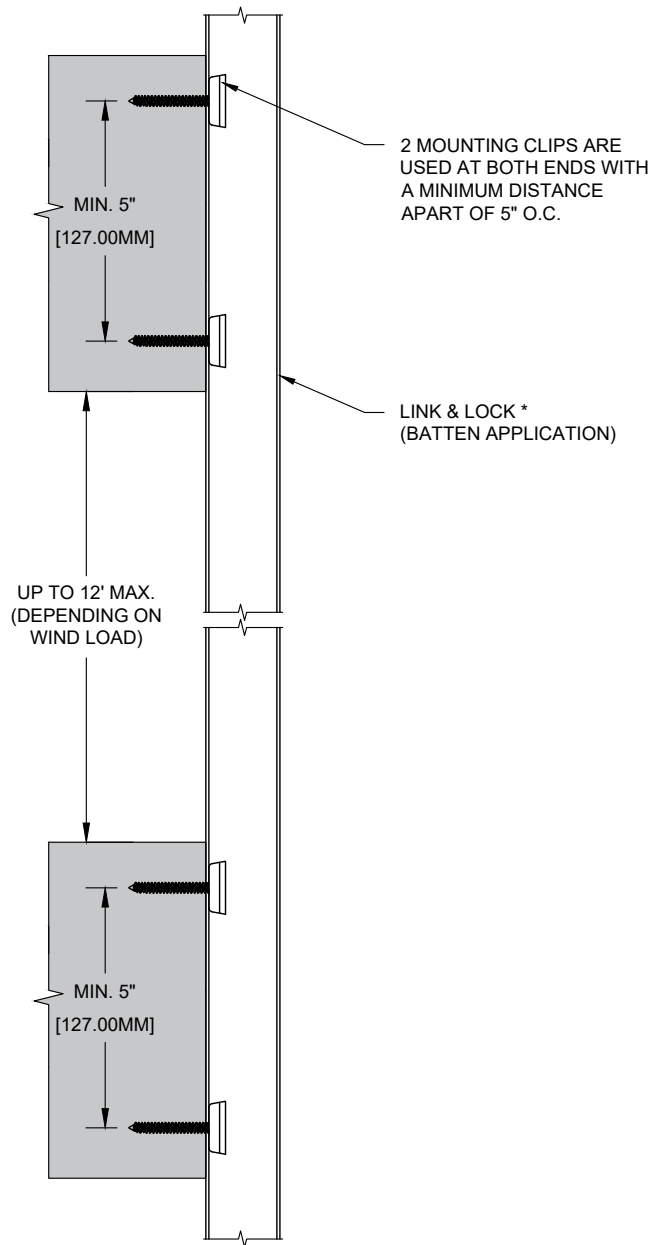
## LINK & LOCK™ 'FIN' APPLICATION

SCALE: 1:4





PLAN



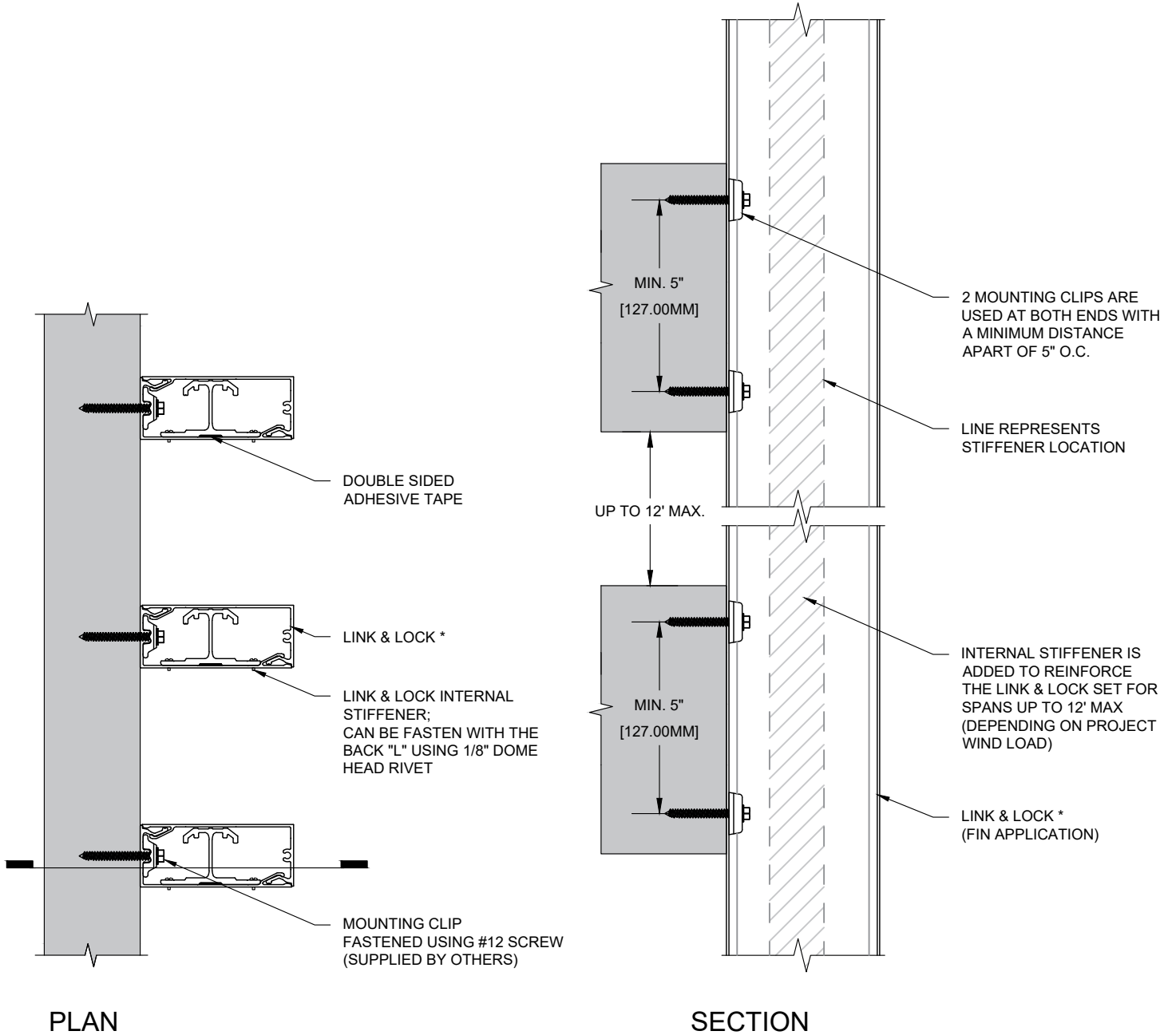
SECTION

\* THIS APPLICATION COULD BE TYPICAL FOR ALL LINK & LOCK PROFILES.

These drawings are published as an information guide only. These CAD drawings are intended as templates to assist the designer, they do not contain the full detail required for construction and must be read in conjunction with the installation instructions on [www.longboardproducts.com](http://www.longboardproducts.com). You should obtain architectural, engineering or other technical advice to assess the suitability of these drawings to the requirements of your particular project. Mayne Coatings Corp. and Longboard products accepts no liability in respect to the use of these drawings. For complete installation instructions refer to the appropriate documentation here [www.longboardproducts.com/resources/technical-documentation/installation-guides](http://www.longboardproducts.com/resources/technical-documentation/installation-guides)

LINK & LOCK™ 'BATTEN' APPLICATION  
WITH STIFFENER  
SCALE: 1:4





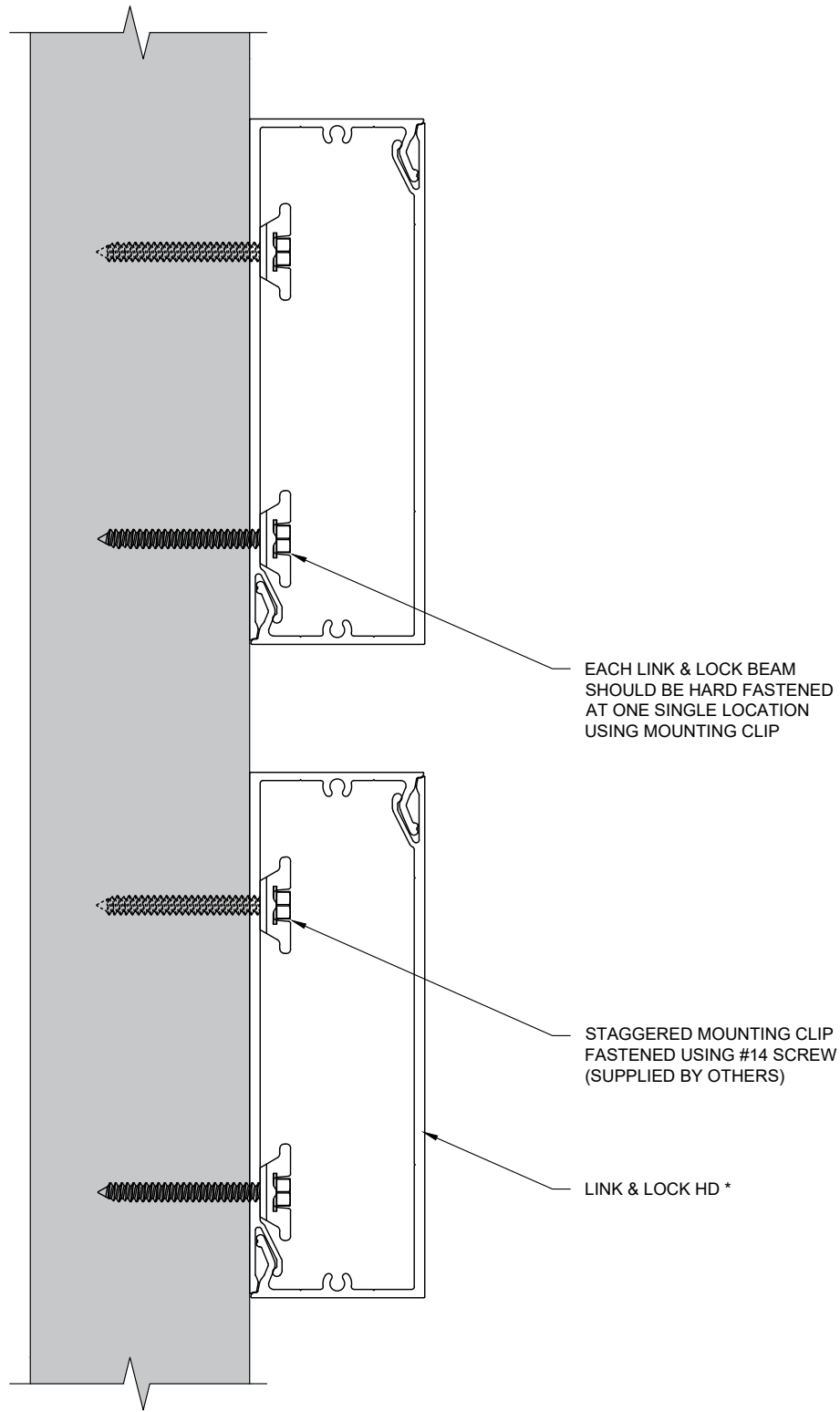
\* THIS APPLICATION COULD BE TYPICAL FOR ALL LINK & LOCK PROFILES.

These drawings are published as an information guide only. These CAD drawings are intended as templates to assist the designer, they do not contain the full detail required for construction and must be read in conjunction with the installation instructions on [www.longboardproducts.com](http://www.longboardproducts.com). You should obtain architectural, engineering or other technical advice to assess the suitability of these drawings to the requirements of your particular project. Mayne Coatings Corp. and Longboard products accepts no liability in respect to the use of these drawings. For complete installation instructions refer to the appropriate documentation here [www.longboardproducts.com/resources/technical-documentation/installation-guides](http://www.longboardproducts.com/resources/technical-documentation/installation-guides)

## LINK & LOCK™ 'FIN' APPLICATION WITH STIFFENER

SCALE: 1:4





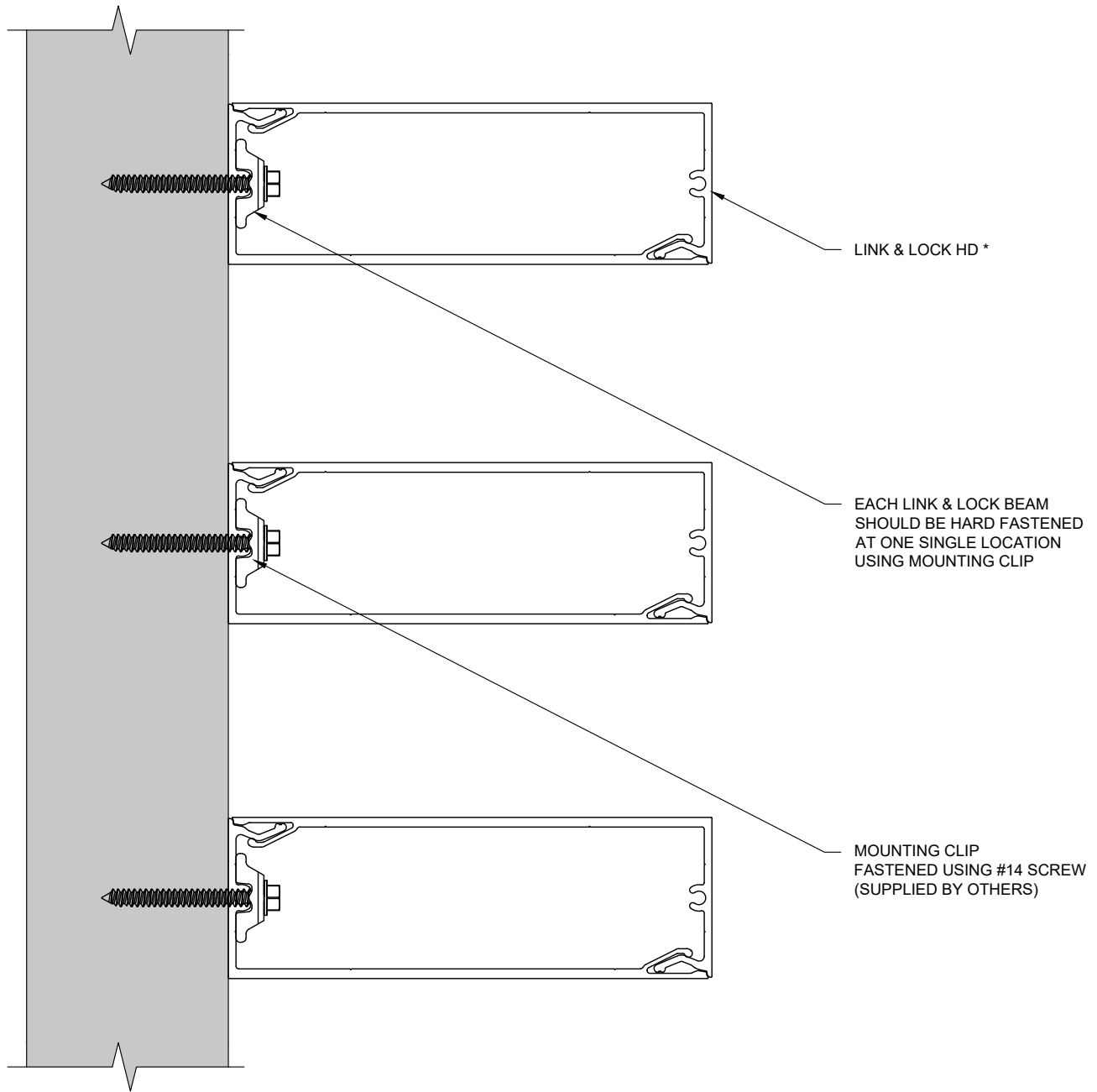
\* THIS APPLICATION COULD BE TYPICAL FOR ALL LINK & LOCK HD PROFILES.

These drawings are published as an information guide only. These CAD drawings are intended as templates to assist the designer, they do not contain the full detail required for construction and must be read in conjunction with the installation instructions on [www.longboardproducts.com](http://www.longboardproducts.com). You should obtain architectural, engineering or other technical advice to assess the suitability of these drawings to the requirements of your particular project. Mayne Coatings Corp. and Longboard products accepts no liability in respect to the use of these drawings. For complete installation instructions refer to the appropriate documentation here [www.longboardproducts.com/resources/technical-documentation/installation-guides](http://www.longboardproducts.com/resources/technical-documentation/installation-guides)

## LINK & LOCK™ HD 'BATTEN' APPLICATION

SCALE: 1:2





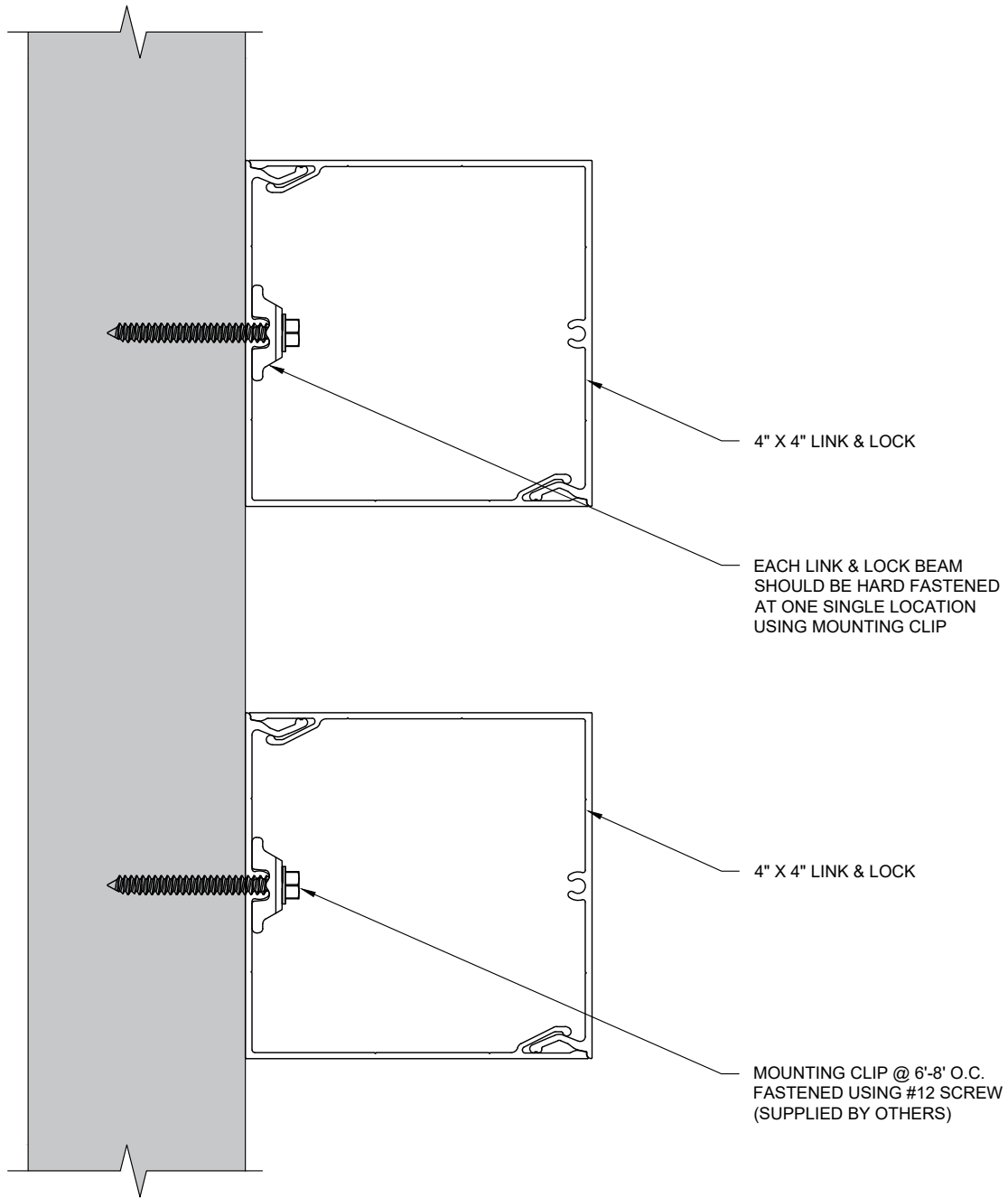
\* THIS APPLICATION COULD BE TYPICAL FOR ALL LINK & LOCK HD PROFILES.

These drawings are published as an information guide only. These CAD drawings are intended as templates to assist the designer, they do not contain the full detail required for construction and must be read in conjunction with the installation instructions on [www.longboardproducts.com](http://www.longboardproducts.com). You should obtain architectural, engineering or other technical advice to assess the suitability of these drawings to the requirements of your particular project. Mayne Coatings Corp. and Longboard products accepts no liability in respect to the use of these drawings. For complete installation instructions refer to the appropriate documentation here [www.longboardproducts.com/resources/technical-documentation/installation-guides](http://www.longboardproducts.com/resources/technical-documentation/installation-guides)

## LINK & LOCK™ HD 'FIN' APPLICATION

SCALE: 1:2





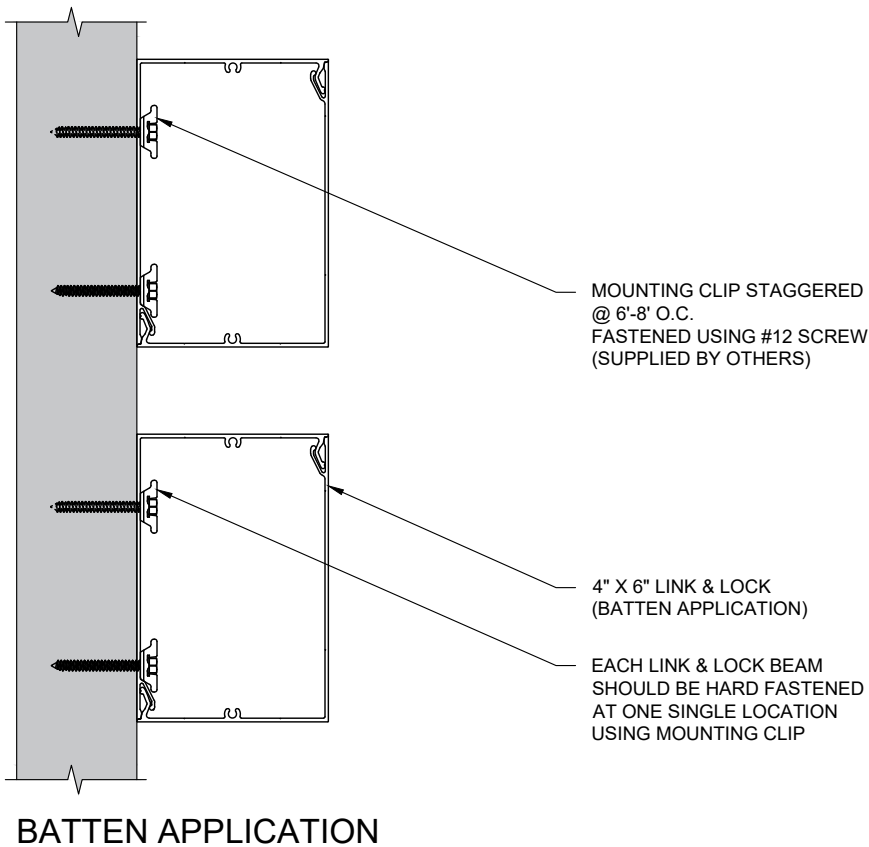
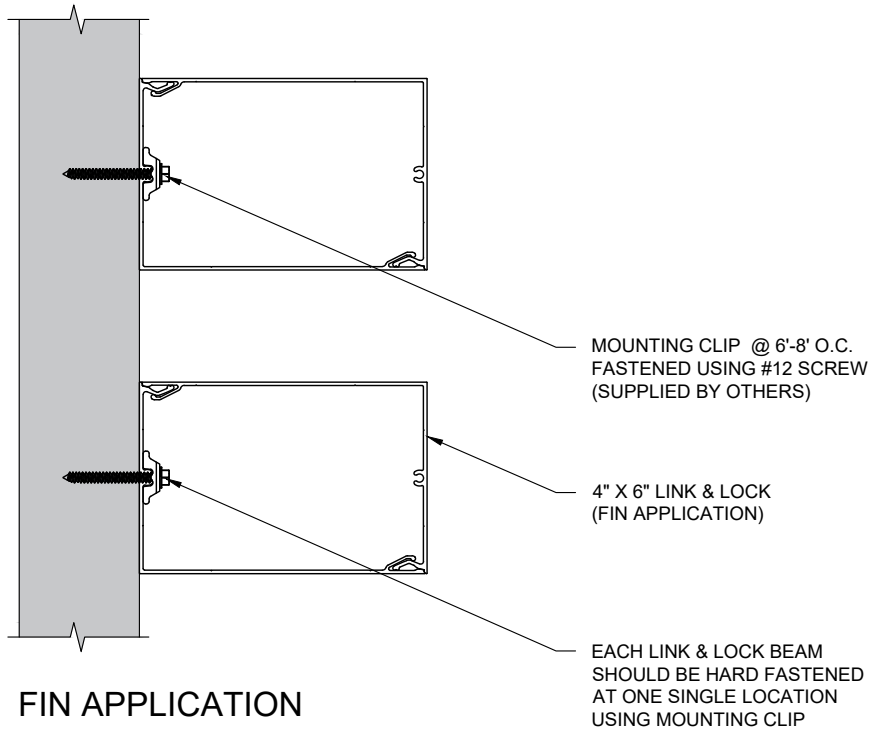
These drawings are published as an information guide only. These CAD drawings are intended as templates to assist the designer, they do not contain the full detail required for construction and must be read in conjunction with the installation instructions on [www.longboardproducts.com](http://www.longboardproducts.com). You should obtain architectural, engineering or other technical advice to assess the suitability of these drawings to the requirements of your particular project. Mayne Coatings Corp. and Longboard products accepts no liability in respect to the use of these drawings. For complete installation instructions refer to the appropriate documentation here [www.longboardproducts.com/resources/technical-documentation/installation-guides](http://www.longboardproducts.com/resources/technical-documentation/installation-guides)

## 4" X 4" LINK & LOCK™ ATTACHMENT DETAIL

SCALE: 1:2





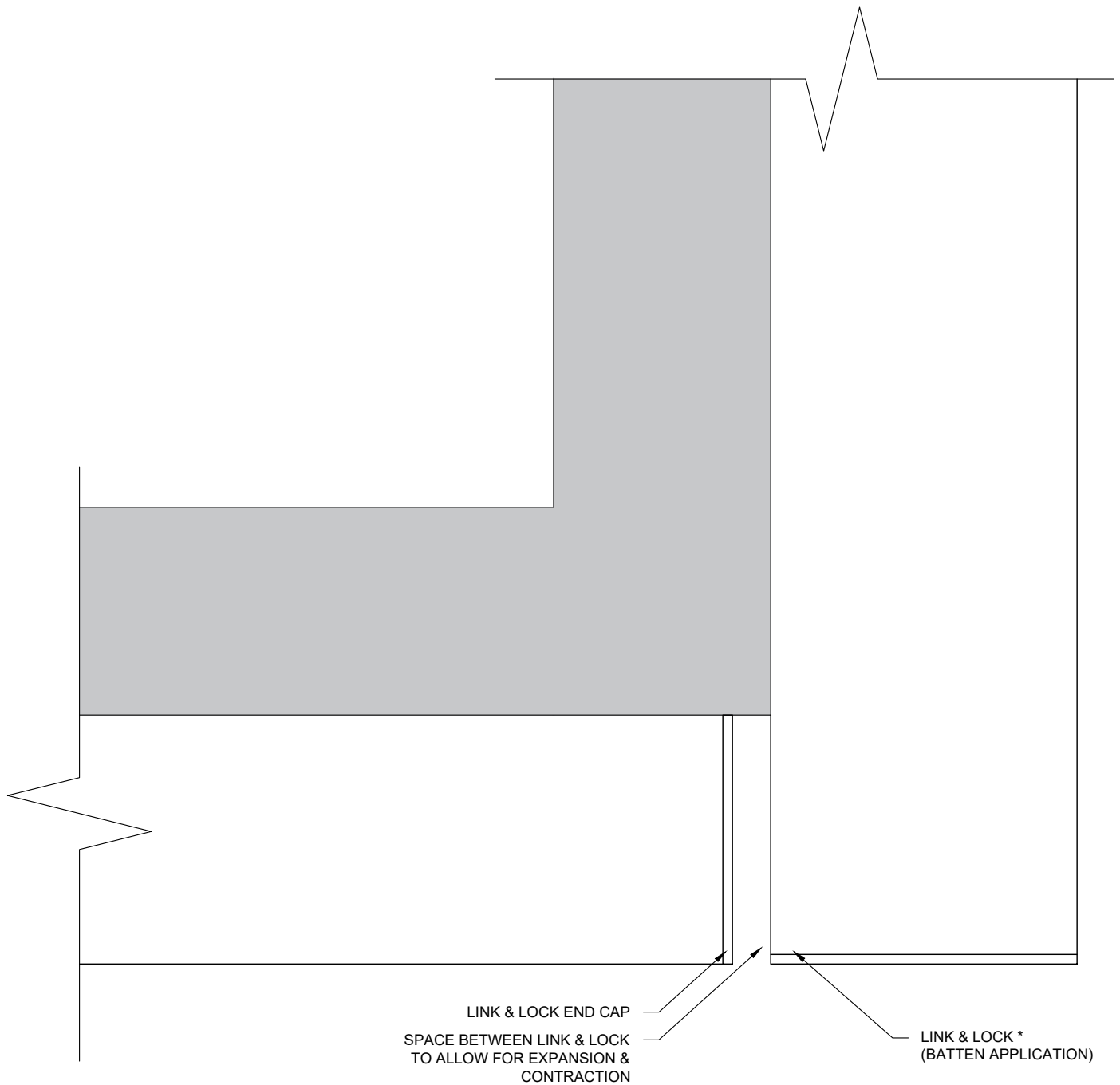


These drawings are published as an information guide only. These CAD drawings are intended as templates to assist the designer, they do not contain the full detail required for construction and must be read in conjunction with the installation instructions on [www.longboardproducts.com](http://www.longboardproducts.com). You should obtain architectural, engineering or other technical advice to assess the suitability of these drawings to the requirements of your particular project. Mayne Coatings Corp. and Longboard products accepts no liability in respect to the use of these drawings. For complete installation instructions refer to the appropriate documentation here [www.longboardproducts.com/resources/technical-documentation/installation-guides](http://www.longboardproducts.com/resources/technical-documentation/installation-guides)

## 4" X 6" LINK & LOCK™ ATTACHMENT DETAIL

SCALE: 1:4





LINK & LOCK END CAP  
 SPACE BETWEEN LINK & LOCK  
 TO ALLOW FOR EXPANSION &  
 CONTRACTION

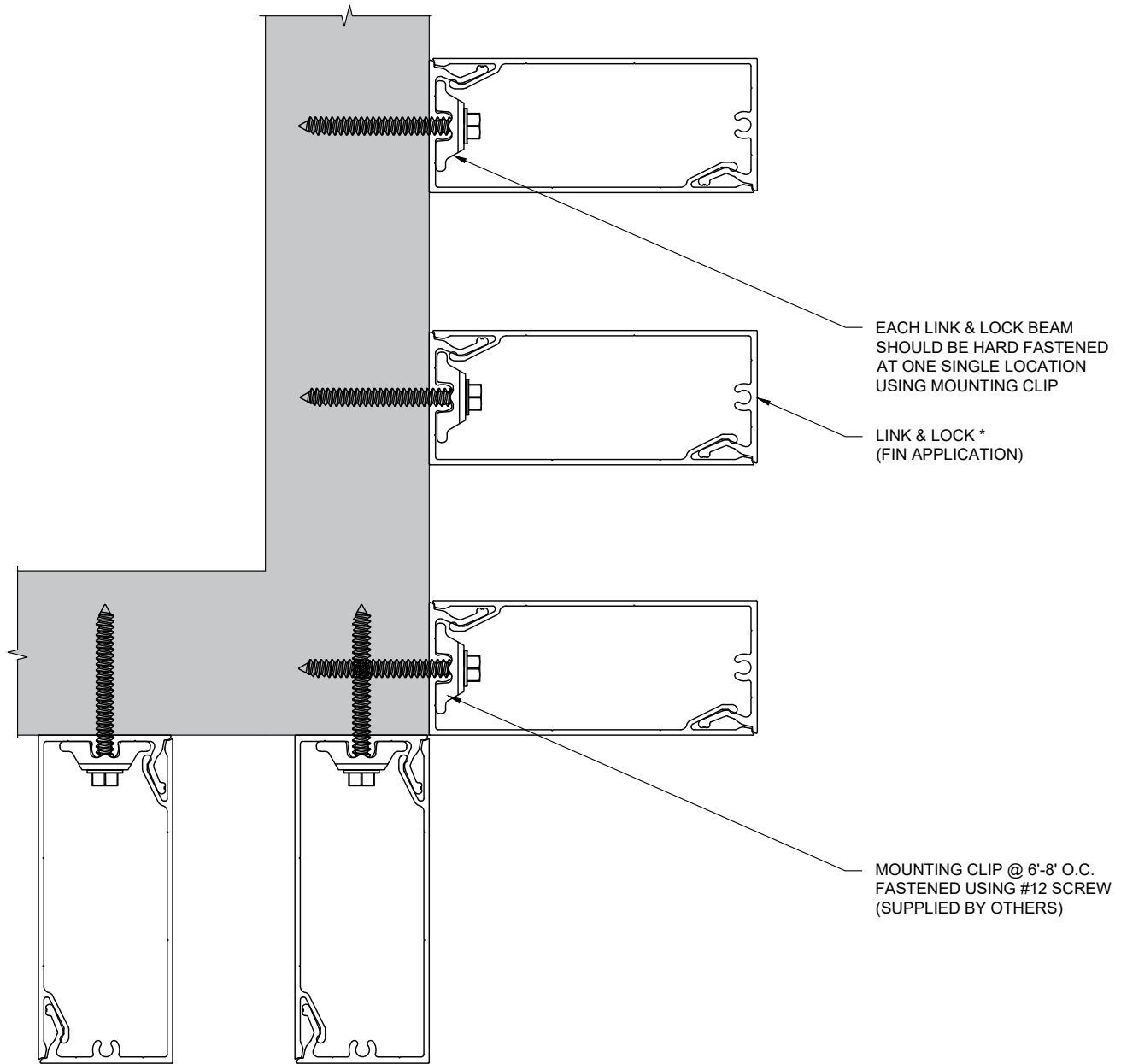
LINK & LOCK \*  
 (BATTEN APPLICATION)

\* THIS APPLICATION COULD BE TYPICAL FOR ALL LINK & LOCK PROFILES.

These drawings are published as an information guide only. These CAD drawings are intended as templates to assist the designer, they do not contain the full detail required for construction and must be read in conjunction with the installation instructions on [www.longboardproducts.com](http://www.longboardproducts.com). You should obtain architectural, engineering or other technical advice to assess the suitability of these drawings to the requirements of your particular project. Mayne Coatings Corp. and Longboard products accepts no liability in respect to the use of these drawings. For complete installation instructions refer to the appropriate documentation here [www.longboardproducts.com/resources/technical-documentation/installation-guides](http://www.longboardproducts.com/resources/technical-documentation/installation-guides)

LINK & LOCK™ CORNER DETAIL  
 - BATTEN APPLICATION  
 SCALE: 1:1





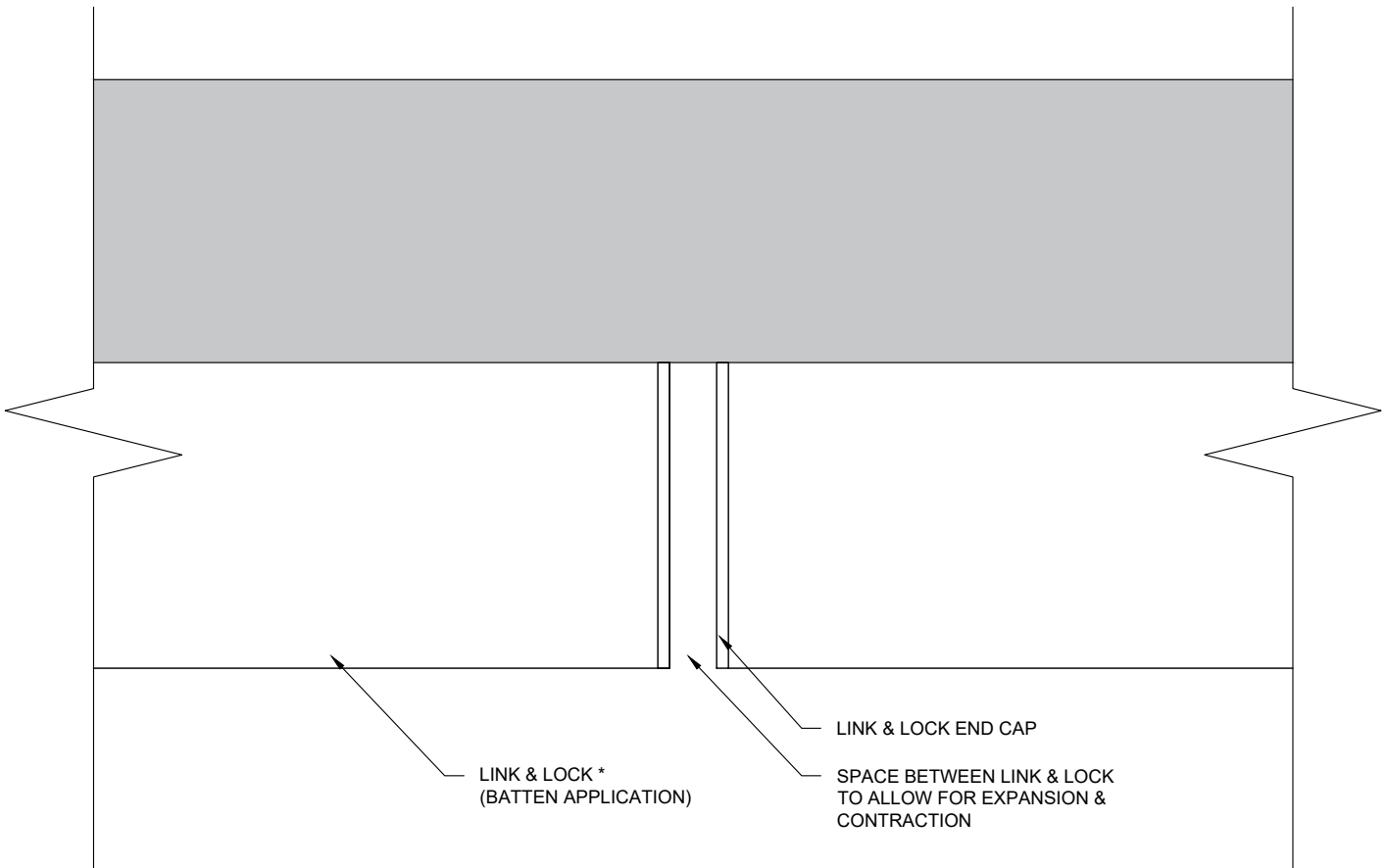
\* THIS APPLICATION COULD BE TYPICAL FOR ALL LINK & LOCK PROFILES.

These drawings are published as an information guide only. These CAD drawings are intended as templates to assist the designer, they do not contain the full detail required for construction and must be read in conjunction with the installation instructions on [www.longboardproducts.com](http://www.longboardproducts.com). You should obtain architectural, engineering or other technical advice to assess the suitability of these drawings to the requirements of your particular project. Mayne Coatings Corp. and Longboard products accepts no liability in respect to the use of these drawings. For complete installation instructions refer to the appropriate documentation here [www.longboardproducts.com/resources/technical-documentation/installation-guides](http://www.longboardproducts.com/resources/technical-documentation/installation-guides)

## LINK & LOCK™ CORNER DETAIL - FIN APPLICATION

SCALE: 1:2





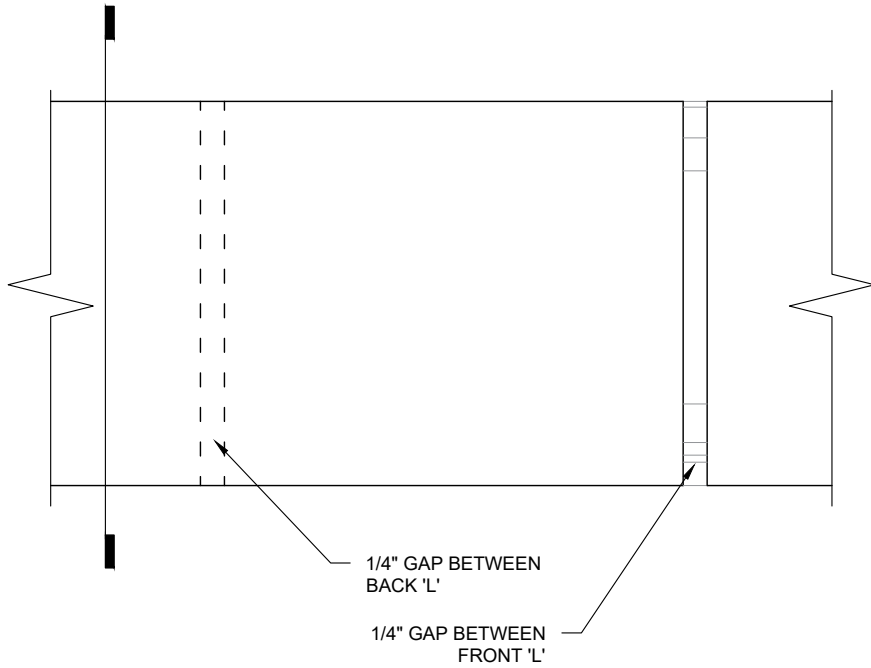
\* THIS APPLICATION COULD BE TYPICAL FOR ALL LINK & LOCK PROFILES.

These drawings are published as an information guide only. These CAD drawings are intended as templates to assist the designer, they do not contain the full detail required for construction and must be read in conjunction with the installation instructions on [www.longboardproducts.com](http://www.longboardproducts.com). You should obtain architectural, engineering or other technical advice to assess the suitability of these drawings to the requirements of your particular project. Mayne Coatings Corp. and Longboard products accepts no liability in respect to the use of these drawings. For complete installation instructions refer to the appropriate documentation here [www.longboardproducts.com/resources/technical-documentation/installation-guides](http://www.longboardproducts.com/resources/technical-documentation/installation-guides)

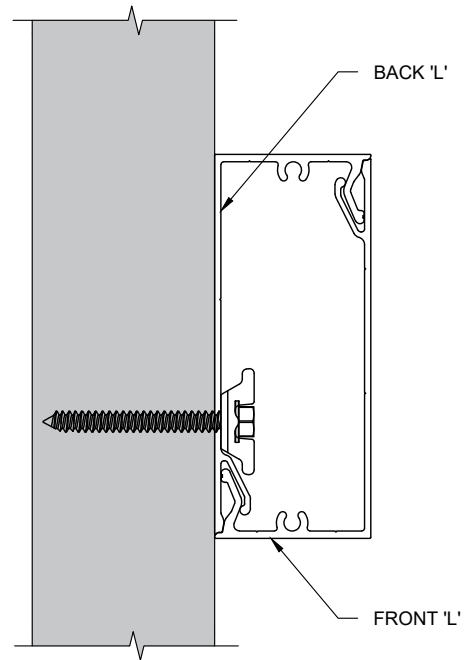
## LINK & LOCK™ BUTT-JOINT DETAIL - BATTEN APPLICATION

SCALE: 1:1

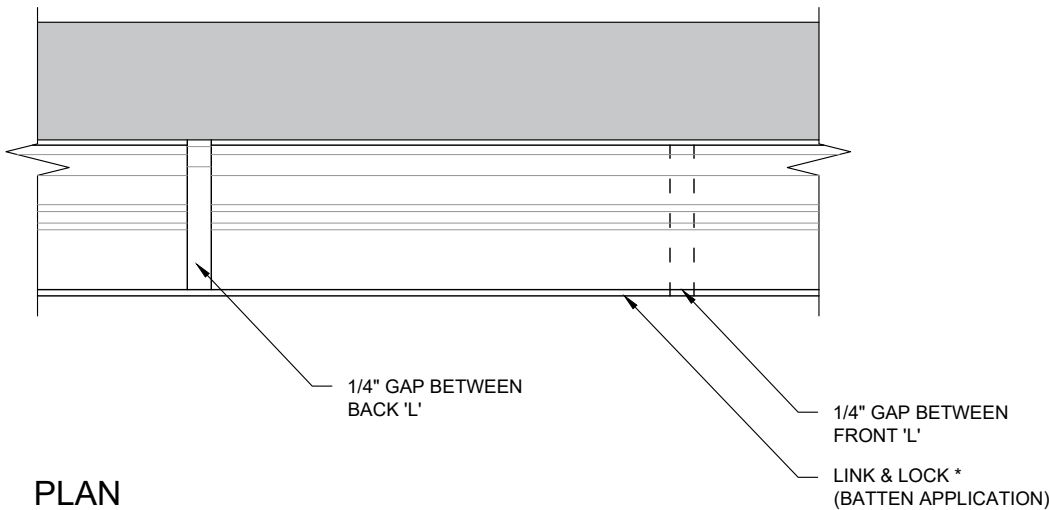




ELEVATION



SECTION



PLAN

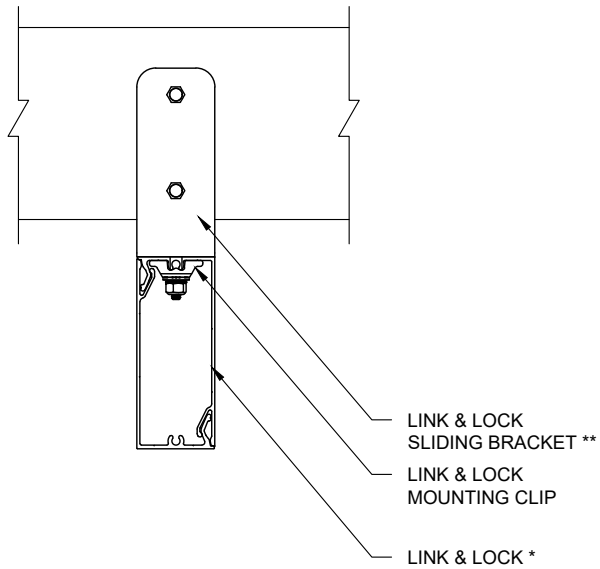
\* THIS APPLICATION COULD BE TYPICAL FOR ALL LINK & LOCK PROFILES.

These drawings are published as an information guide only. These CAD drawings are intended as templates to assist the designer, they do not contain the full detail required for construction and must be read in conjunction with the installation instructions on [www.longboardproducts.com](http://www.longboardproducts.com). You should obtain architectural, engineering or other technical advice to assess the suitability of these drawings to the requirements of your particular project. Mayne Coatings Corp. and Longboard products accepts no liability in respect to the use of these drawings. For complete installation instructions refer to the appropriate documentation here [www.longboardproducts.com/resources/technical-documentation/installation-guides](http://www.longboardproducts.com/resources/technical-documentation/installation-guides)

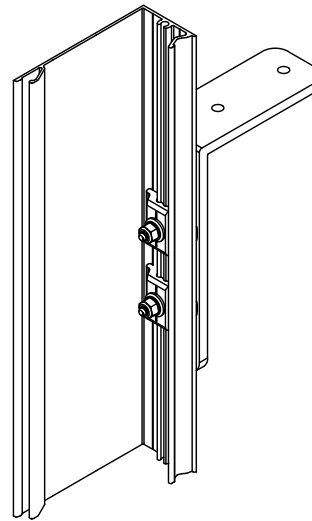
LINK & LOCK™ LAP-JOINT DETAIL

SCALE: 1:2

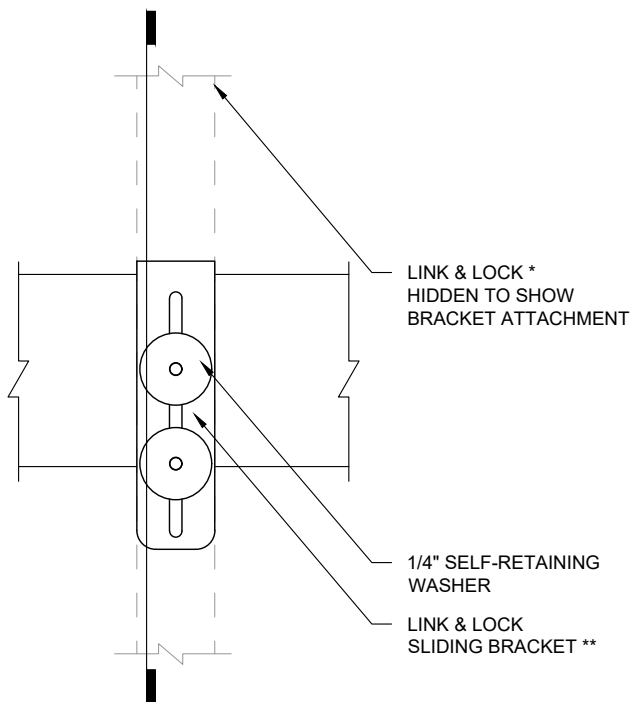




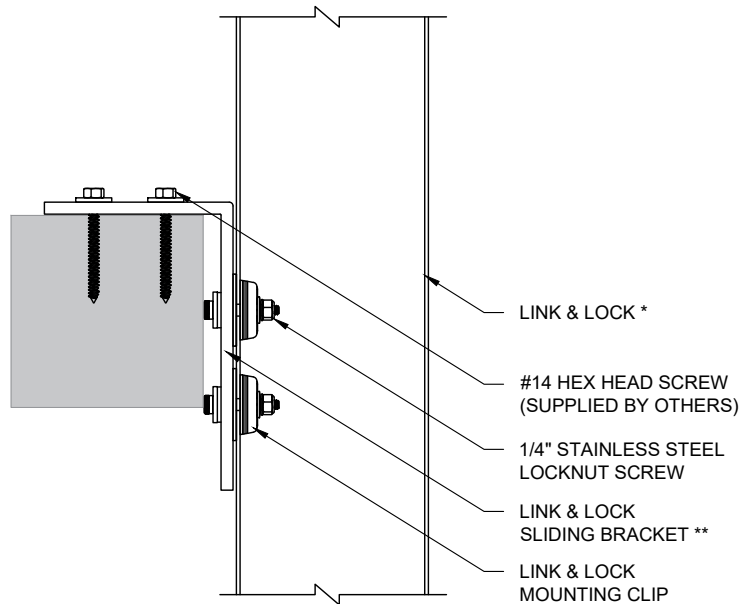
PLAN



ISOMETRIC VIEW



ELEVATION



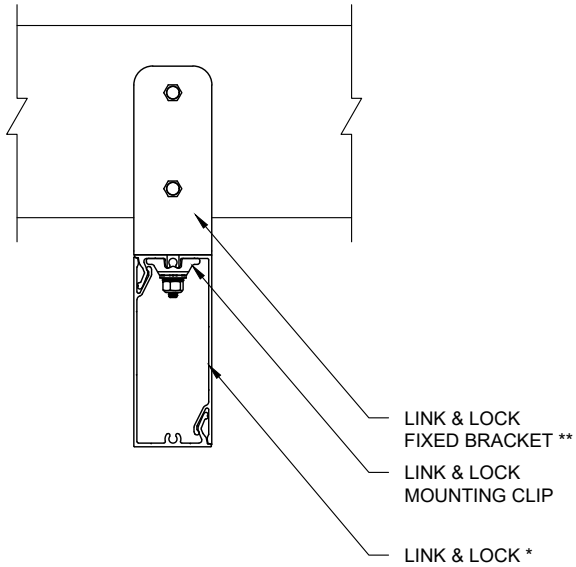
SECTION

\*\* THIS APPLICATION COULD BE TYPICAL FOR ALL LINK & LOCK SLIDING BRACKETS.  
 \* THIS APPLICATION COULD BE TYPICAL FOR ALL LINK & LOCK PROFILES.

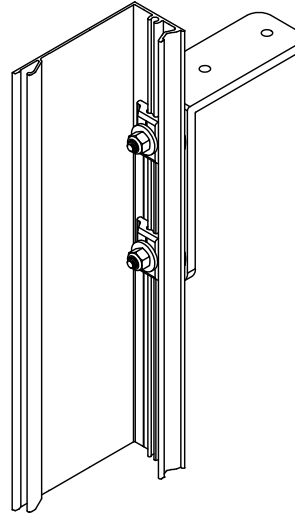
These drawings are published as an information guide only. These CAD drawings are intended as templates to assist the designer, they do not contain the full detail required for construction and must be read in conjunction with the installation instructions on [www.longboardproducts.com](http://www.longboardproducts.com). You should obtain architectural, engineering or other technical advice to assess the suitability of these drawings to the requirements of your particular project. Mayne Coatings Corp. and Longboard products accepts no liability in respect to the use of these drawings. For complete installation instructions refer to the appropriate documentation here [www.longboardproducts.com/resources/technical-documentation/installation-guides](http://www.longboardproducts.com/resources/technical-documentation/installation-guides)

LINK & LOCK™ SLIDING BRACKET  
 ATTACHMENT  
 - HORIZONTAL SUBSTRATE  
 SCALE 1:4

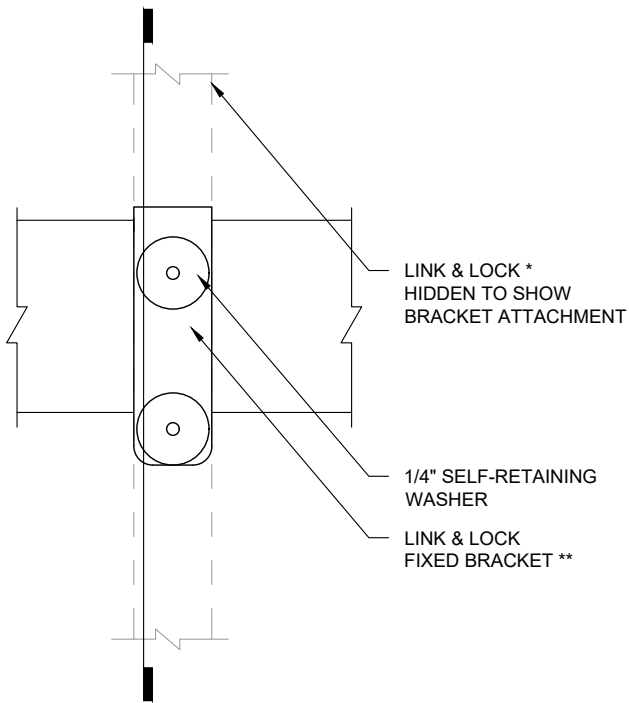




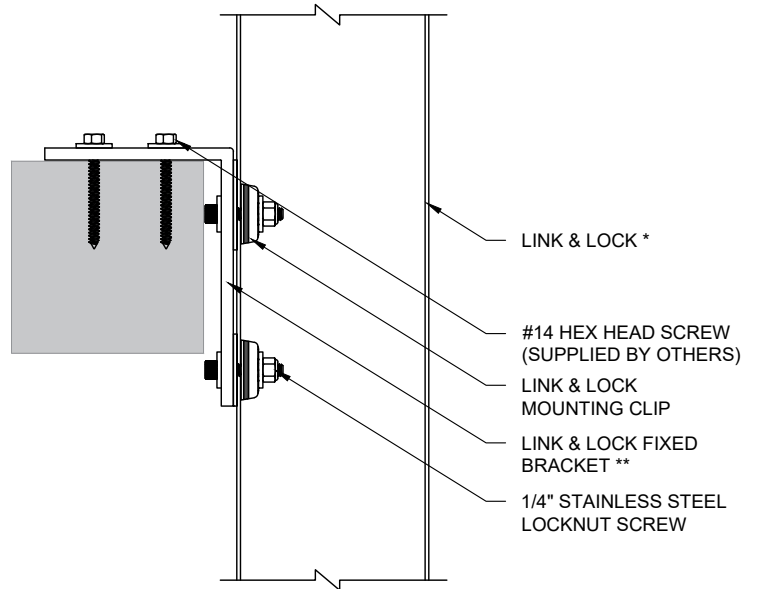
PLAN



ISOMETRIC VIEW



ELEVATION



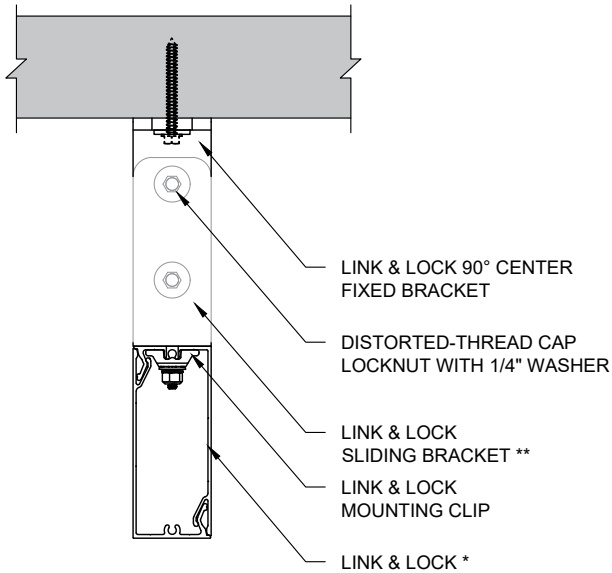
SECTION

\*\* THIS APPLICATION COULD BE TYPICAL FOR ALL LINK & LOCK FIXED BRACKETS.  
\* THIS APPLICATION COULD BE TYPICAL FOR ALL LINK & LOCK PROFILES.

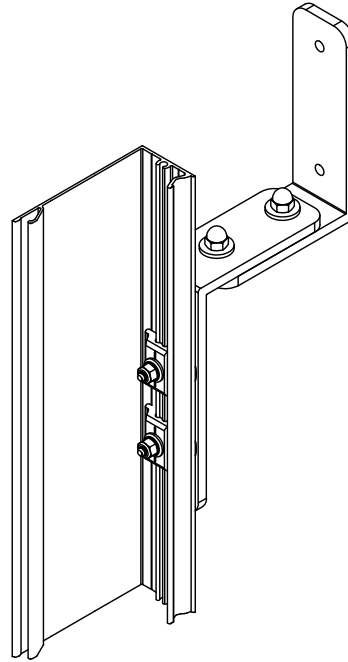
These drawings are published as an information guide only. These CAD drawings are intended as templates to assist the designer, they do not contain the full detail required for construction and must be read in conjunction with the installation instructions on [www.longboardproducts.com](http://www.longboardproducts.com). You should obtain architectural, engineering or other technical advice to assess the suitability of these drawings to the requirements of your particular project. Mayne Coatings Corp. and Longboard products accepts no liability in respect to the use of these drawings. For complete installation instructions refer to the appropriate documentation here [www.longboardproducts.com/resources/technical-documentation/installation-guides](http://www.longboardproducts.com/resources/technical-documentation/installation-guides)

LINK & LOCK™ FIXED BRACKET  
ATTACHMENT  
- HORIZONTAL SUBSTRATE  
SCALE 1:4

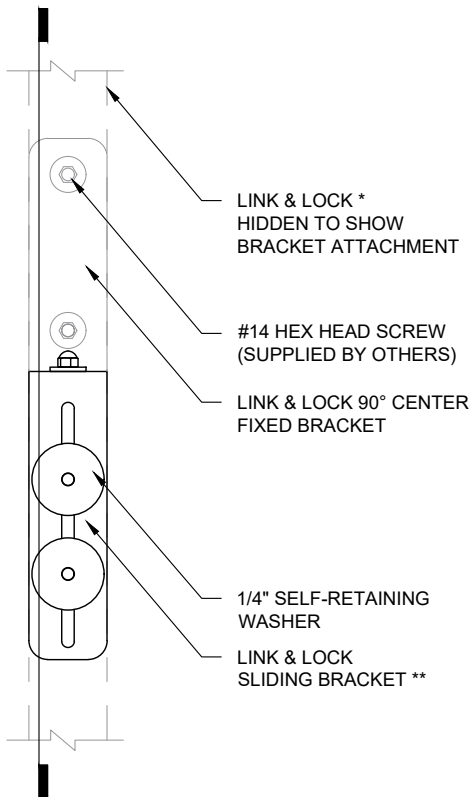




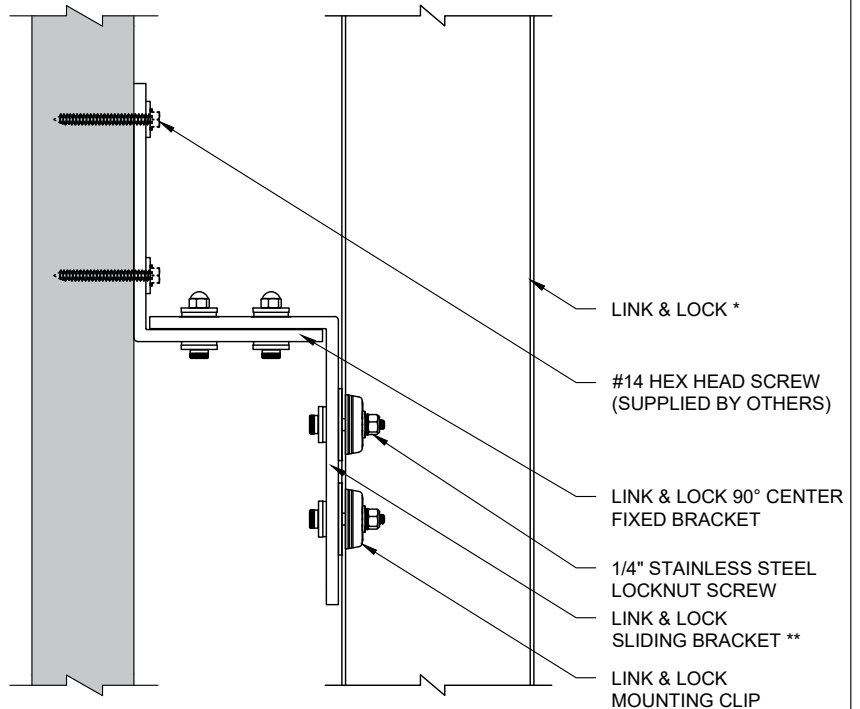
PLAN



ISOMETRIC VIEW



ELEVATION



SECTION

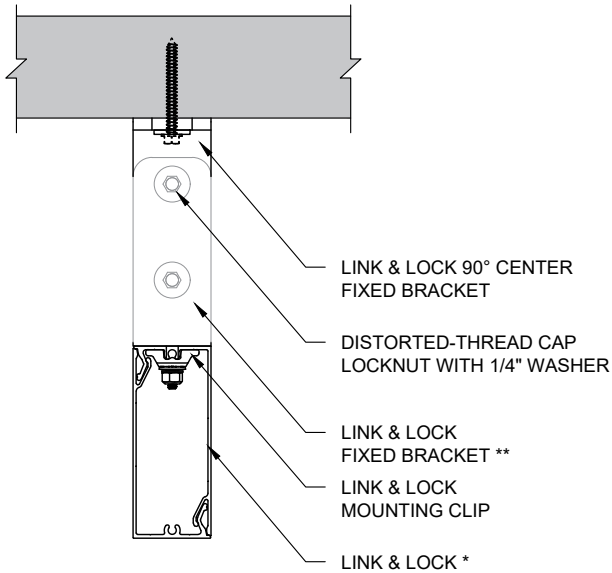
\*\* THIS APPLICATION COULD BE TYPICAL FOR ALL LINK & LOCK SLIDING BRACKETS.  
 \* THIS APPLICATION COULD BE TYPICAL FOR ALL LINK & LOCK PROFILES.

These drawings are published as an information guide only. These CAD drawings are intended as templates to assist the designer, they do not contain the full detail required for construction and must be read in conjunction with the installation instructions on [www.longboardproducts.com](http://www.longboardproducts.com). You should obtain architectural, engineering or other technical advice to assess the suitability of these drawings to the requirements of your particular project. Mayne Coatings Corp. and Longboard products accepts no liability in respect to the use of these drawings. For complete installation instructions refer to the appropriate documentation here [www.longboardproducts.com/resources/technical-documentation/installation-guides](http://www.longboardproducts.com/resources/technical-documentation/installation-guides)

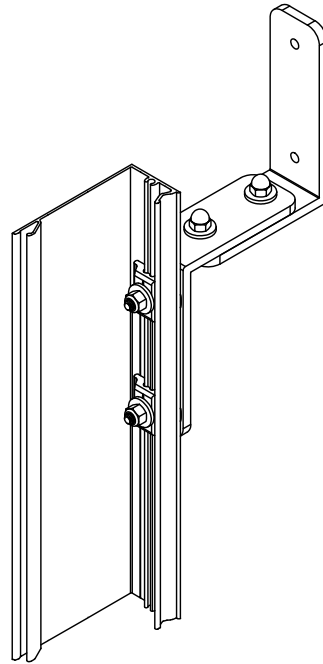
LINK & LOCK™ SLIDING BRACKET  
 ATTACHMENT  
 - VERTICAL SUBSTRATE  
 SCALE 1:4



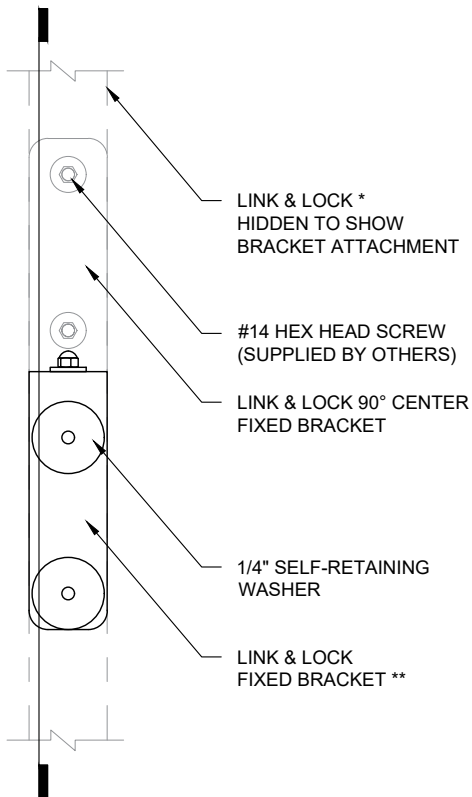




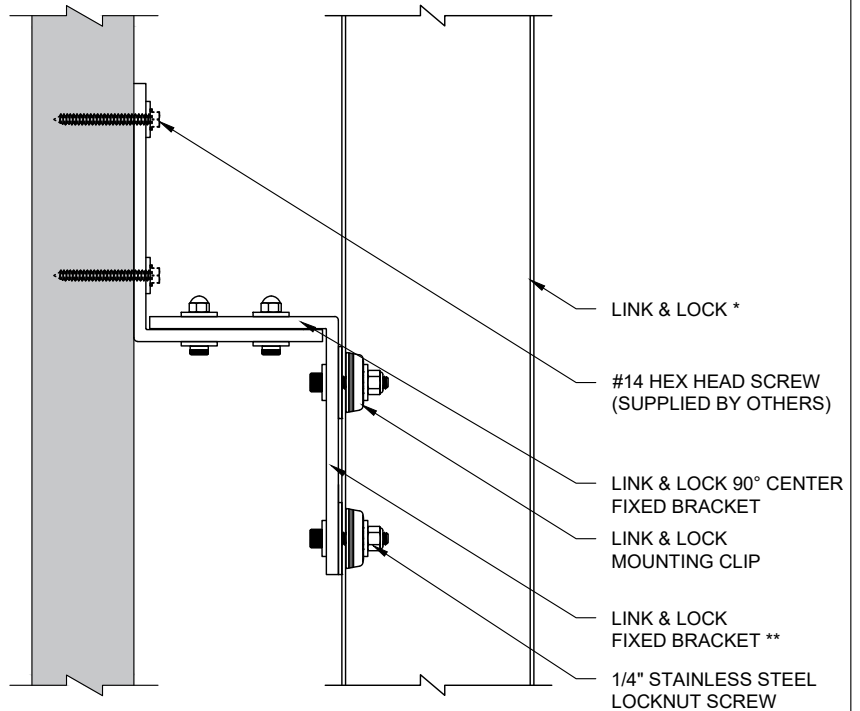
PLAN



ISOMETRIC VIEW



ELEVATION



SECTION

\*\* THIS APPLICATION COULD BE TYPICAL FOR ALL LINK & LOCK SLIDING BRACKETS.  
 \* THIS APPLICATION COULD BE TYPICAL FOR ALL LINK & LOCK PROFILES.

These drawings are published as an information guide only. These CAD drawings are intended as templates to assist the designer, they do not contain the full detail required for construction and must be read in conjunction with the installation instructions on [www.longboardproducts.com](http://www.longboardproducts.com). You should obtain architectural, engineering or other technical advice to assess the suitability of these drawings to the requirements of your particular project. Mayne Coatings Corp. and Longboard products accepts no liability in respect to the use of these drawings. For complete installation instructions refer to the appropriate documentation here [www.longboardproducts.com/resources/technical-documentation/installation-guides](http://www.longboardproducts.com/resources/technical-documentation/installation-guides)

LINK & LOCK™ FIXED BRACKET  
 ATTACHMENT  
 - VERTICAL SUBSTRATE  
 SCALE 1:4

