

TABLE OF CONTENTS

(Click on the drawing name below to be directed to the right section.)

[1" X 3" BEAM](#)

[1" X 5" BEAM](#)

[1-1/2" X 2" SINGLE POST](#)

[2" X 3" DOUBLE POST](#)

[SPACER BAR - 12'](#)

[1" X 3" BEAM END CAP](#)

[1" X 5" BEAM END CAP](#)

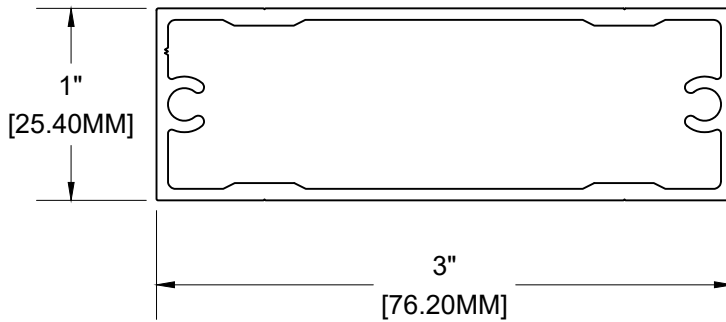
[1-1/2" X 2-1/8" SINGLE POST END CAP](#)

[2-1/8" X 2-3/4" DOUBLE POST END CAP](#)

[1" X 3" AND 1"X5" SPACER BLOCK - 1"](#)

[MOUNTING BRACKET](#)

[POST END CAP SCREWS](#)

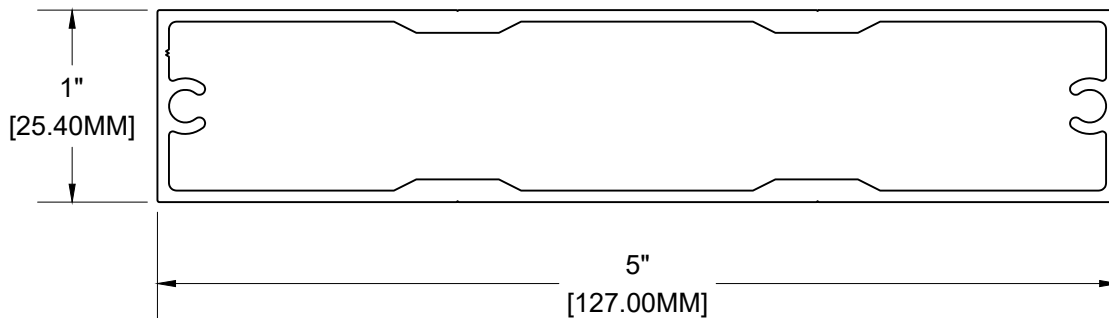


These drawings are published as an information guide only. These CAD drawings are intended as templates to assist the designer, they do not contain the full detail required for construction and must be read in conjunction with the installation instructions on www.longboardproducts.com. You should obtain architectural, engineering or other technical advice to assess the suitability of these drawings to the requirements of your particular project. Mayne Coatings Corp. and Longboard products accepts no liability in respect to the use of these drawings.

For complete installation instructions refer to the appropriate documentation at www.longboardsuppliers.com/installation

1" x 3" BEAM
ALUMINUM ALLOY: 6063-T5
WEIGHT: 0.6555 LBS/ LF
SCALE: 1:1





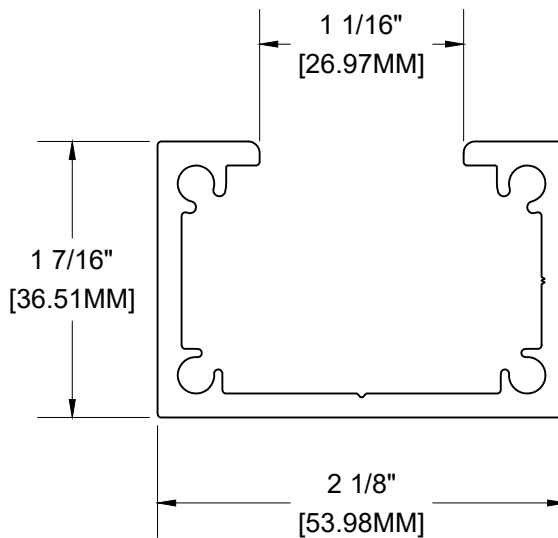
These drawings are published as an information guide only. These CAD drawings are intended as templates to assist the designer, they do not contain the full detail required for construction and must be read in conjunction with the installation instructions on www.longboardproducts.com. You should obtain architectural, engineering or other technical advice to assess the suitability of these drawings to the requirements of your particular project.

Mayne Coatings Corp. and Longboard products accepts no liability in respect to the use of these drawings.

For complete installation instructions refer to the appropriate documentation at www.longboardsuppliers.com/installation

1" X 5" BEAM
ALUMINUM ALLOY: 6063-T5
WEIGHT: 1.0330 LBS/ LF
SCALE: 1:1



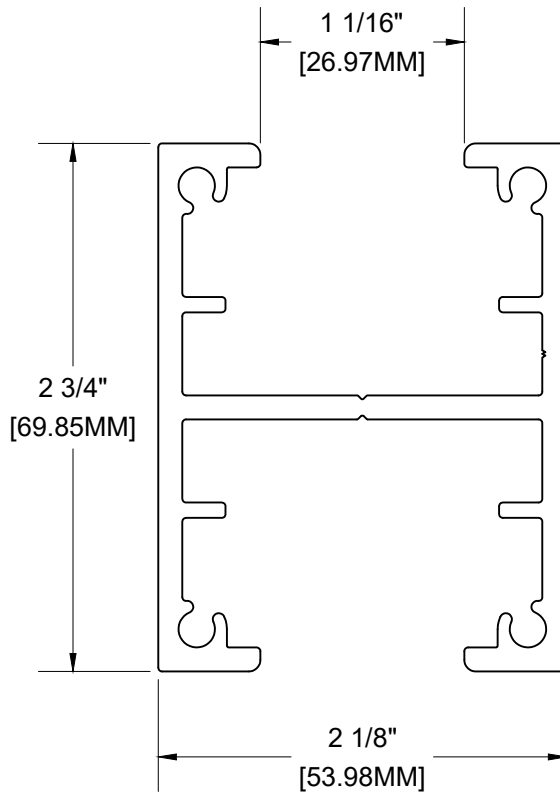


These drawings are published as an information guide only. These CAD drawings are intended as templates to assist the designer, they do not contain the full detail required for construction and must be read in conjunction with the installation instructions on www.longboardproducts.com. You should obtain architectural, engineering or other technical advice to assess the suitability of these drawings to the requirements of your particular project. Mayne Coatings Corp. and Longboard products accepts no liability in respect to the use of these drawings.

For complete installation instructions refer to the appropriate documentation at www.longboardsuppliers.com/installation

1-1/2" X 2" SINGLE POST
 ALUMINUM ALLOY: 6063-T5
 WEIGHT: 0.8743 LBS/ LF
 SCALE: 1:1



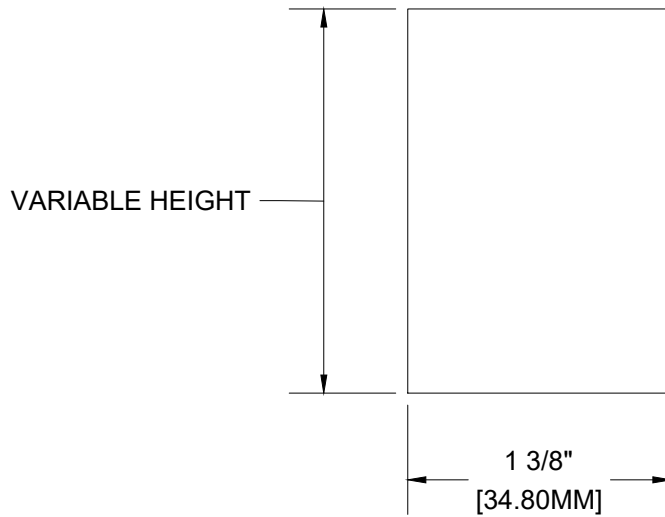
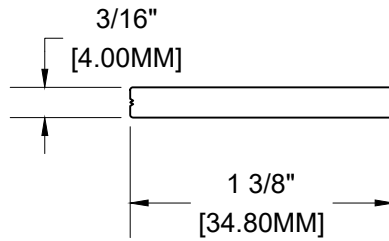


These drawings are published as an information guide only. These CAD drawings are intended as templates to assist the designer, they do not contain the full detail required for construction and must be read in conjunction with the installation instructions on www.longboardproducts.com. You should obtain architectural, engineering or other technical advice to assess the suitability of these drawings to the requirements of your particular project. Mayne Coatings Corp. and Longboard products accepts no liability in respect to the use of these drawings.

For complete installation instructions refer to the appropriate documentation at www.longboardsuppliers.com/installation

2" X 3" DOUBLE POST
 ALUMINUM ALLOY: 6063-T5
 WEIGHT: 1.4717 LBS/ LF
 SCALE: 1:1



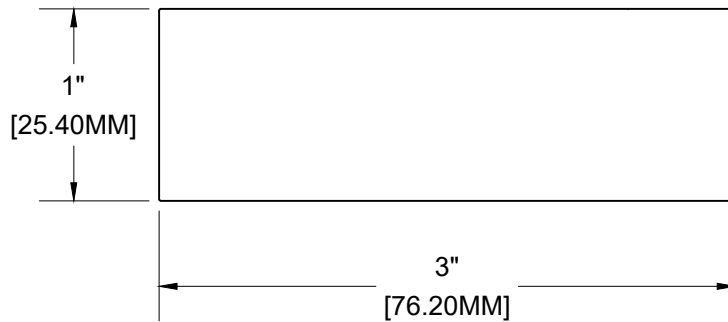
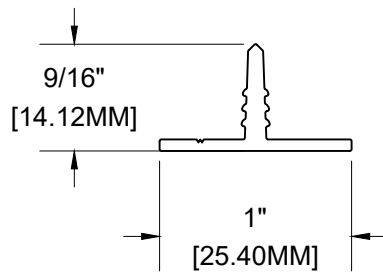


These drawings are published as an information guide only. These CAD drawings are intended as templates to assist the designer, they do not contain the full detail required for construction and must be read in conjunction with the installation instructions on www.longboardproducts.com. You should obtain architectural, engineering or other technical advice to assess the suitability of these drawings to the requirements of your particular project. Mayne Coatings Corp. and Longboard products accepts no liability in respect to the use of these drawings.

For complete installation instructions refer to the appropriate documentation at www.longboardsuppliers.com/installation

SPACER BAR - 12'
ALUMINUM ALLOY: 6063-T5
WEIGHT: 0.2519 LBS/ LF
SCALE: 1:1



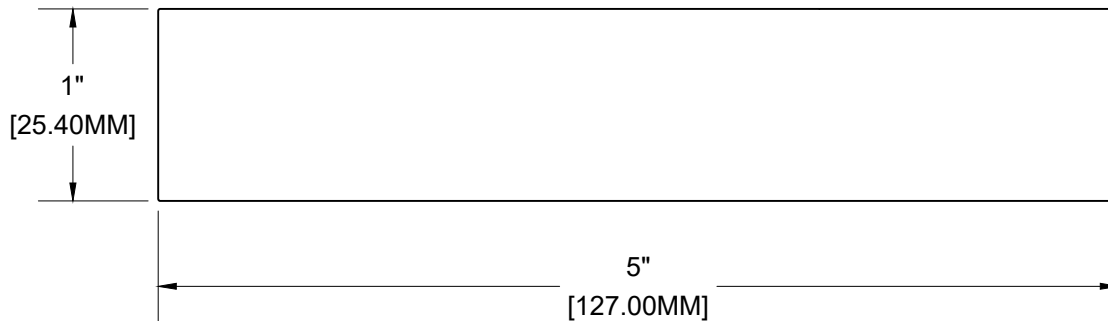
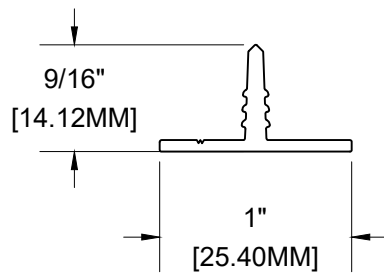


These drawings are published as an information guide only. These CAD drawings are intended as templates to assist the designer, they do not contain the full detail required for construction and must be read in conjunction with the installation instructions on www.longboardproducts.com. You should obtain architectural, engineering or other technical advice to assess the suitability of these drawings to the requirements of your particular project. Mayne Coatings Corp. and Longboard products accepts no liability in respect to the use of these drawings.

For complete installation instructions refer to the appropriate documentation at www.longboardsuppliers.com/installation

1" X 3" BEAM END CAP
 ALUMINUM ALLOY: 6063-T5
 WEIGHT: 0.0306 LBS
 SCALE: 1:1



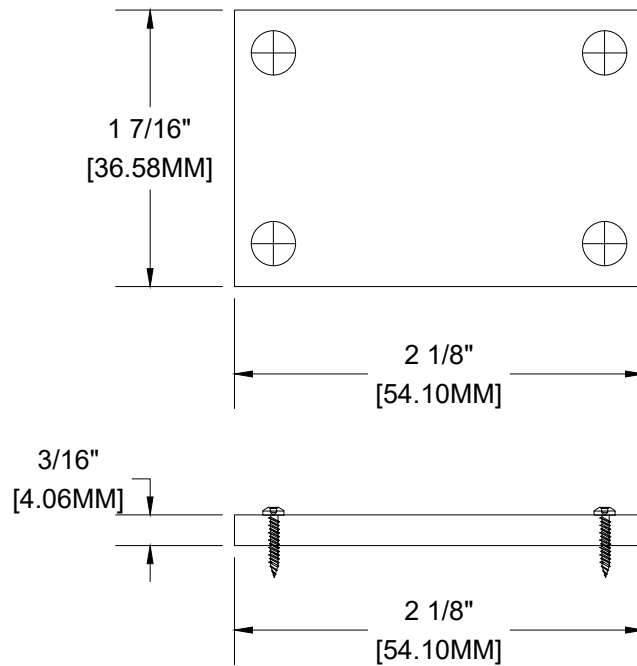


These drawings are published as an information guide only. These CAD drawings are intended as templates to assist the designer, they do not contain the full detail required for construction and must be read in conjunction with the installation instructions on www.longboardproducts.com. You should obtain architectural, engineering or other technical advice to assess the suitability of these drawings to the requirements of your particular project. Mayne Coatings Corp. and Longboard products accepts no liability in respect to the use of these drawings.

For complete installation instructions refer to the appropriate documentation at www.longboardsuppliers.com/installation

1" X 5" BEAM END CAP
 ALUMINUM ALLOY: 6063-T5
 WEIGHT: 0.0518 LBS
 SCALE: 1:1



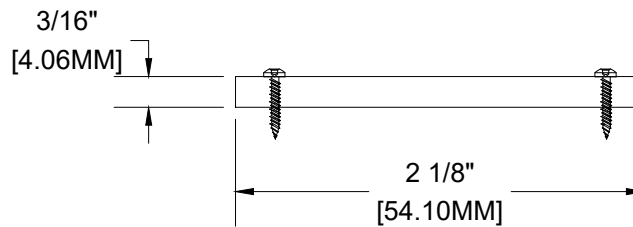
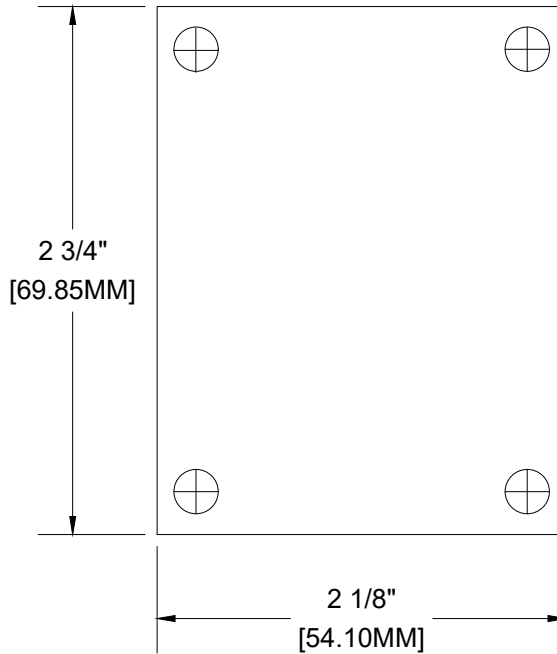


These drawings are published as an information guide only. These CAD drawings are intended as templates to assist the designer, they do not contain the full detail required for construction and must be read in conjunction with the installation instructions on www.longboardproducts.com. You should obtain architectural, engineering or other technical advice to assess the suitability of these drawings to the requirements of your particular project. Mayne Coatings Corp. and Longboard products accepts no liability in respect to the use of these drawings.

For complete installation instructions refer to the appropriate documentation at www.longboardsuppliers.com/installation

1-1/2" X 2-1/8" SINGLE POST END CAP
 ALUMINUM ALLOY: 6063-T5
 WEIGHT: 0.1353 LBS/ LF
 SCALE: 1:1



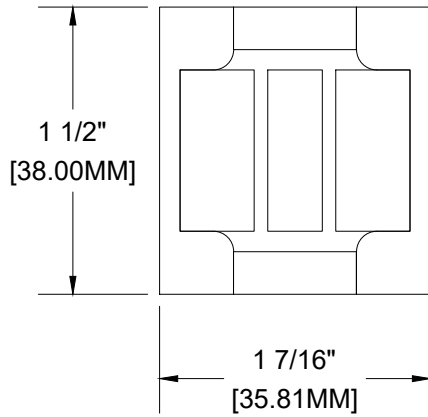


These drawings are published as an information guide only. These CAD drawings are intended as templates to assist the designer, they do not contain the full detail required for construction and must be read in conjunction with the installation instructions on www.longboardproducts.com. You should obtain architectural, engineering or other technical advice to assess the suitability of these drawings to the requirements of your particular project. Mayne Coatings Corp. and Longboard products accepts no liability in respect to the use of these drawings.

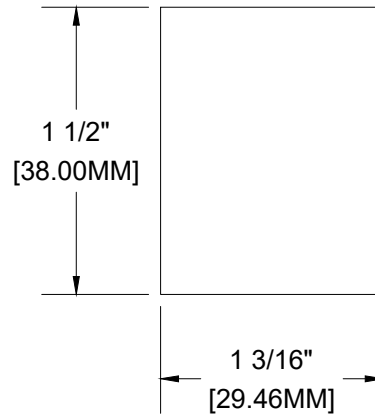
For complete installation instructions refer to the appropriate documentation at www.longboardsuppliers.com/installation

2-1/8" X 2-3/4" DOUBLE POST END CAP
 ALUMINUM ALLOY: 6063-T5
 WEIGHT: 0.2661 LBS/ LF
 SCALE: 1:1

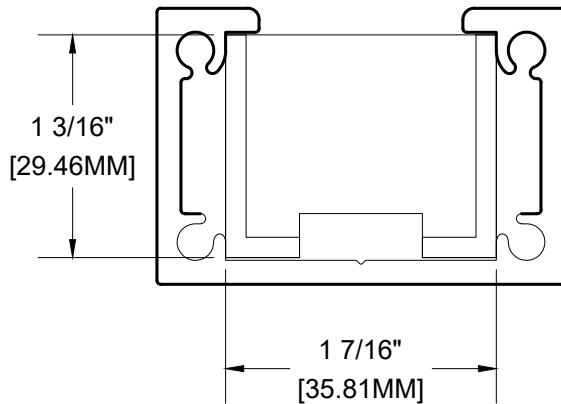




FRONT VIEW



SIDE VIEW



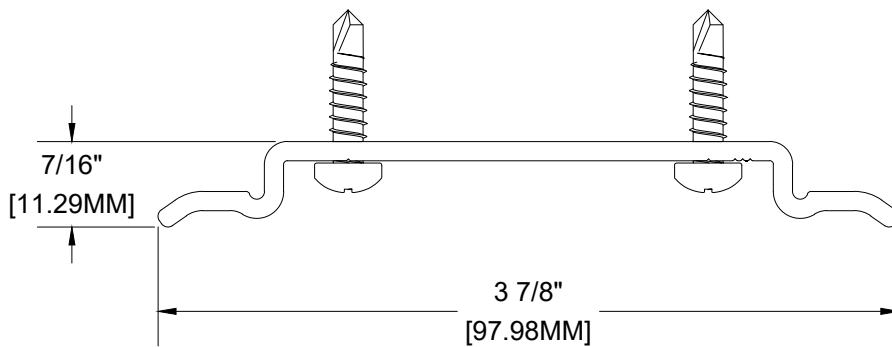
TOP VIEW

These drawings are published as an information guide only. These CAD drawings are intended as templates to assist the designer, they do not contain the full detail required for construction and must be read in conjunction with the installation instructions on www.longboardproducts.com. You should obtain architectural, engineering or other technical advice to assess the suitability of these drawings to the requirements of your particular project. Mayne Coatings Corp. and Longboard products accepts no liability in respect to the use of these drawings.

For complete installation instructions refer to the appropriate documentation at www.longboardsuppliers.com/installation

1" X 3" and 1" X 5" SPACER BLOCK - 1"
 ALUMINUM ALLOY: 6063-T5
 WEIGHT:
 SCALE: 1:1





These drawings are published as an information guide only. These CAD drawings are intended as templates to assist the designer, they do not contain the full detail required for construction and must be read in conjunction with the installation instructions on www.longboardproducts.com. You should obtain architectural, engineering or other technical advice to assess the suitability of these drawings to the requirements of your particular project. Mayne Coatings Corp. and Longboard products accepts no liability in respect to the use of these drawings.

For complete installation instructions refer to the appropriate documentation at www.longboardsuppliers.com/installation

MOUNTING BRACKET
ALUMINUM ALLOY: 6063-T5
SCALE: 1:1





These drawings are published as an information guide only. These CAD drawings are intended as templates to assist the designer, they do not contain the full detail required for construction and must be read in conjunction with the installation instructions on www.longboardproducts.com. You should obtain architectural, engineering or other technical advice to assess the suitability of these drawings to the requirements of your particular project.
Mayne Coatings Corp. and Longboard products accepts no liability in respect to the use of these drawings.

For complete installation instructions refer to the appropriate documentation at www.longboardsuppliers.com/installation

POST END CAP SCREWS
ALUMINUM ALLOY: 6063-T5
SCALE: 1:1

