

TABLE OF CONTENTS

(Click on the drawing name below to be directed to the right section.)

[FLOATING SYSTEM ON SUBSTRATE - SIDE SECTION VIEW](#)

[FLOATING SYSTEM ON SUBSTRATE - TOP SECTION VIEW](#)

[FLOATING SYSTEM ON SUBSTRATE - 3D VIEW](#)

[FLOATING SYSTEM - INSIDE CORNER DETAIL](#)

[FLOATING SYSTEM - INSIDE CORNER 3D](#)

[END FRAME SYSTEM - SIDE SECTION VIEW](#)

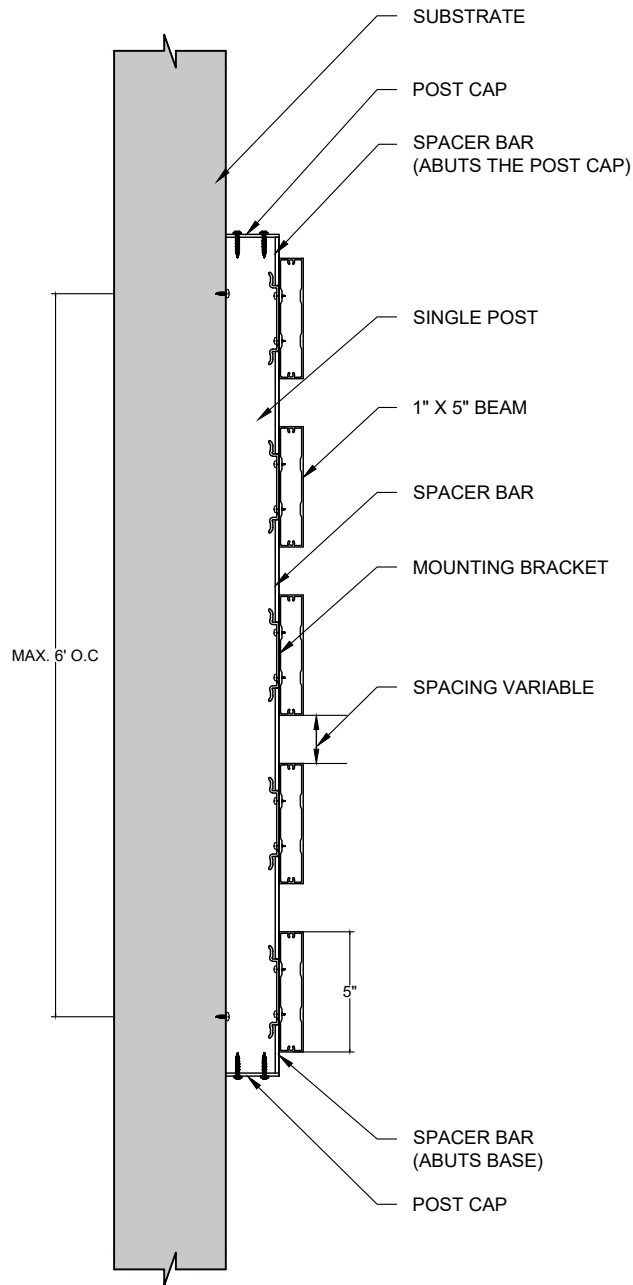
[END FRAME SYSTEM - TOP SECTION](#)

[END FRAME SYSTEM - 3D VIEW](#)

[GAP BETWEEN BEAMS](#)

[SPACING OF BEAMS - 1X3 BEAMS](#)

[SPACING OF BEAMS - 1X5 BEAMS](#)



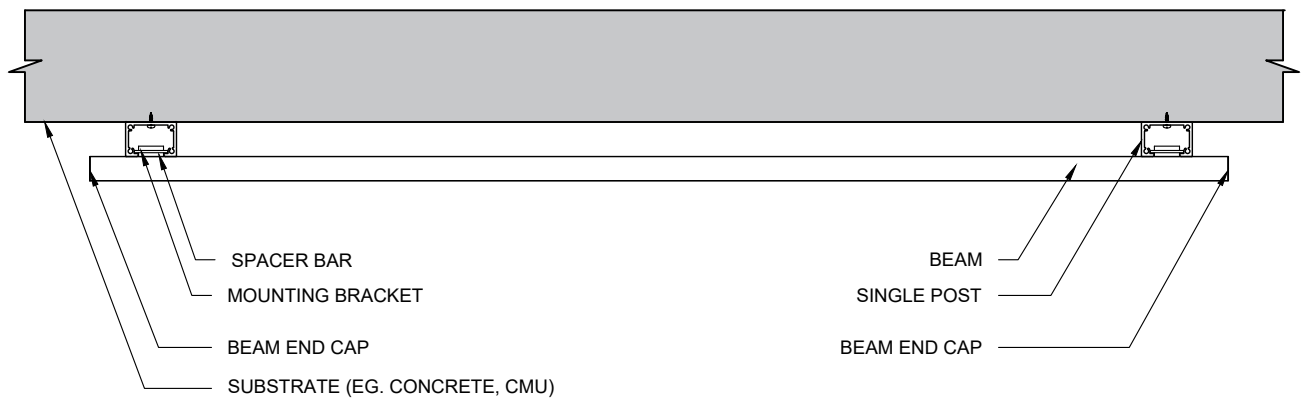
These drawings are published as an information guide only. These CAD drawings are intended as templates to assist the designer, they do not contain the full detail required for construction and must be read in conjunction with the installation instructions on www.longboardproducts.com. You should obtain architectural, engineering or other technical advice to assess the suitability of these drawings to the requirements of your particular project. Mayne Coatings Corp. and Longboard products accepts no liability in respect to the use of these drawings.

For complete installation instructions refer to the appropriate documentation at www.longboardsuppliers.com/installation

PRIVACY BEAMS
 FLOATING SYSTEM ON SUBSTRATE - SIDE SECTION VIEW

SCALE: 1-1/2" = 1'-0"





These drawings are published as an information guide only. These CAD drawings are intended as templates to assist the designer, they do not contain the full detail required for construction and must be read in conjunction with the installation instructions on www.longboardproducts.com. You should obtain architectural, engineering or other technical advice to assess the suitability of these drawings to the requirements of your particular project.

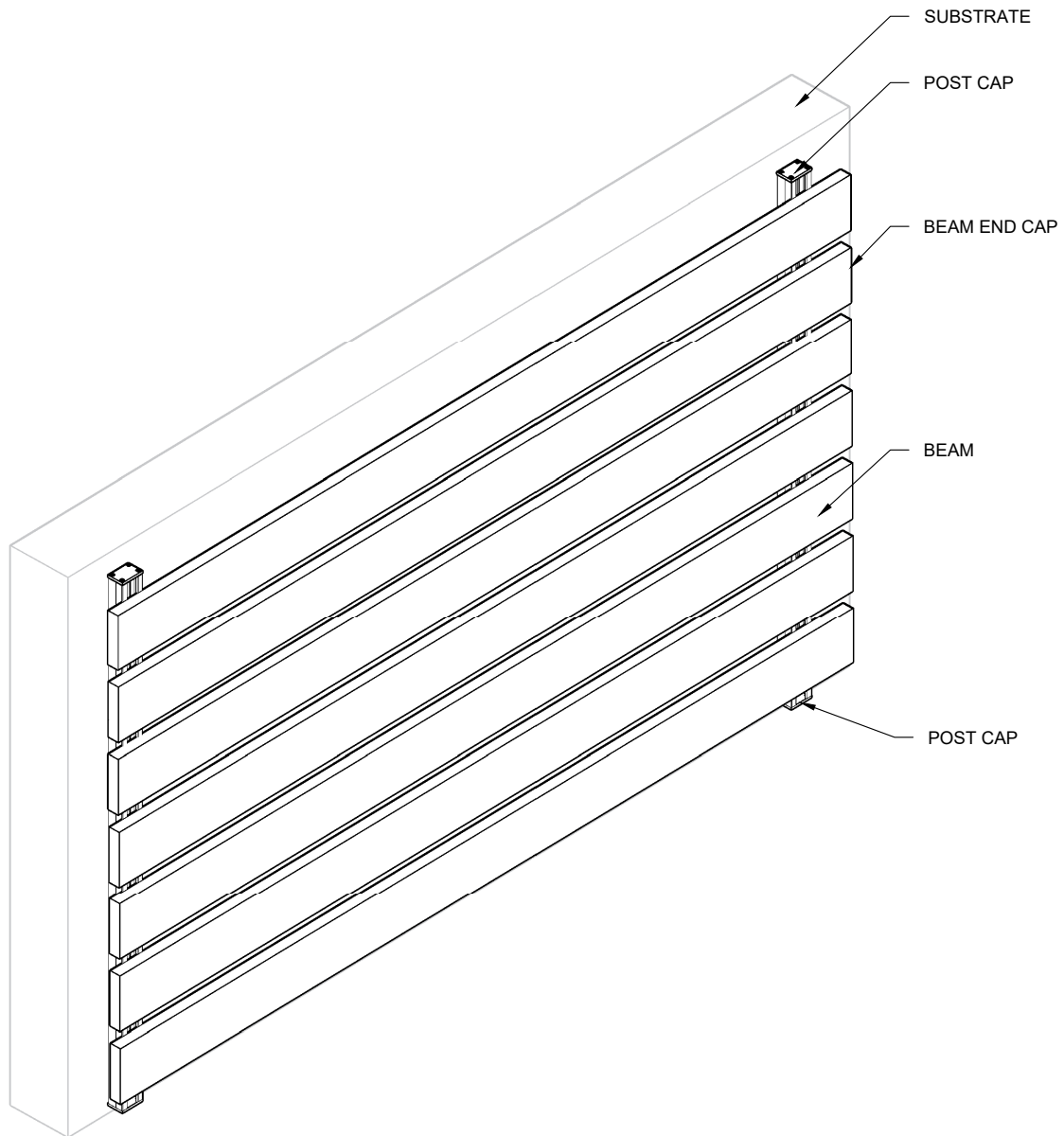
Mayne Coatings Corp. and Longboard products accepts no liability in respect to the use of these drawings.

For complete installation instructions refer to the appropriate documentation at www.longboardsuppliers.com/installation

PRIVACY BEAMS
 FLOATING SYSTEM ON SUBSTRATE - TOP SECTION VIEW

SCALE: 1-1/2" = 1'-0"



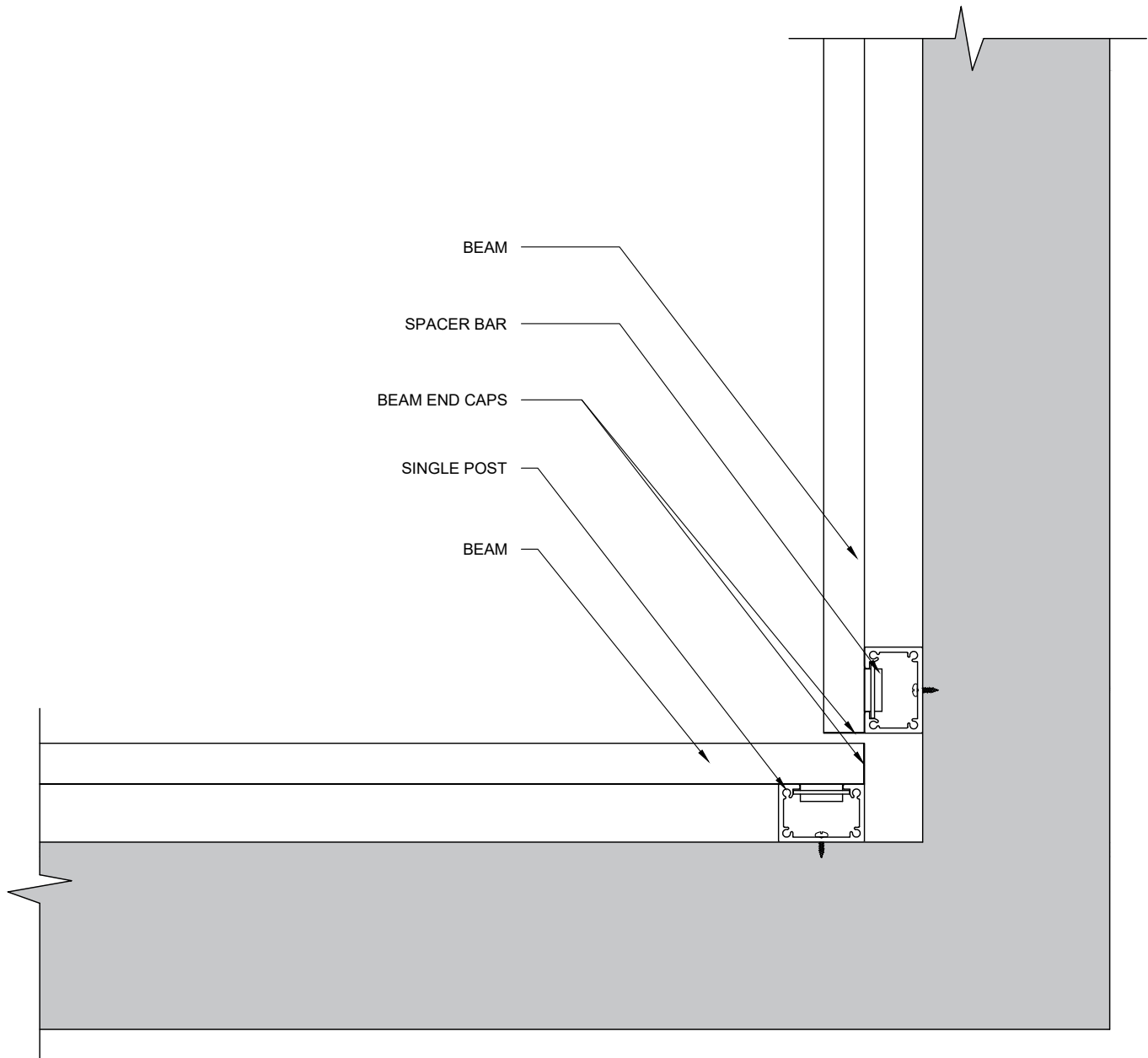


These drawings are published as an information guide only. These CAD drawings are intended as templates to assist the designer, they do not contain the full detail required for construction and must be read in conjunction with the installation instructions on www.longboardproducts.com. You should obtain architectural, engineering or other technical advice to assess the suitability of these drawings to the requirements of your particular project. Mayne Coatings Corp. and Longboard products accepts no liability in respect to the use of these drawings.

For complete installation instructions refer to the appropriate documentation at www.longboardsuppliers.com/installation

PRIVACY BEAMS FLOATING SYSTEM ON SUBSTRATE - 3D VIEW





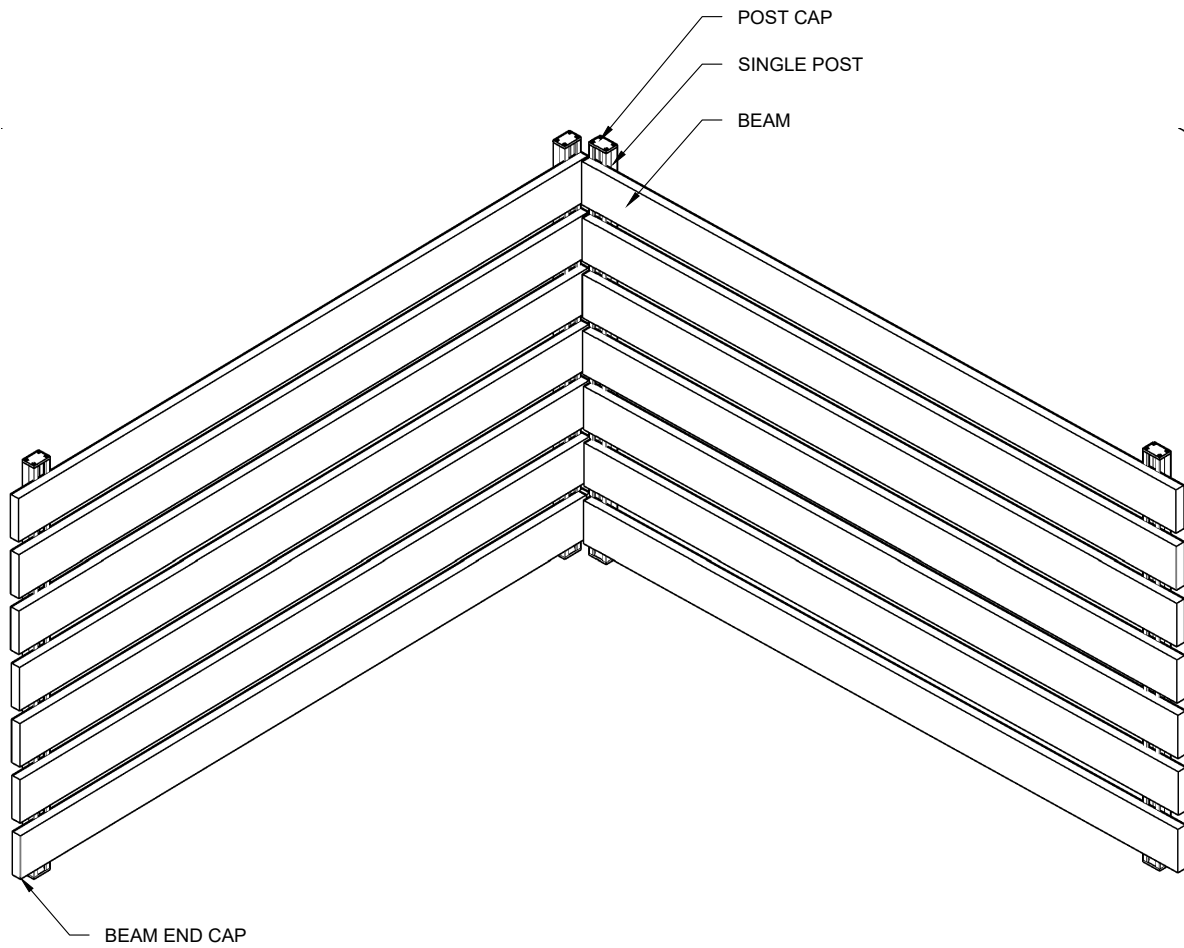
These drawings are published as an information guide only. These CAD drawings are intended as templates to assist the designer, they do not contain the full detail required for construction and must be read in conjunction with the installation instructions on www.longboardproducts.com. You should obtain architectural, engineering or other technical advice to assess the suitability of these drawings to the requirements of your particular project. Mayne Coatings Corp. and Longboard products accepts no liability in respect to the use of these drawings.

For complete installation instructions refer to the appropriate documentation at www.longboardsuppliers.com/installation

PRIVACY BEAMS
FLOATING SYSTEM - INSIDE CORNER DETAIL

SCALE: 3" = 1'-0"



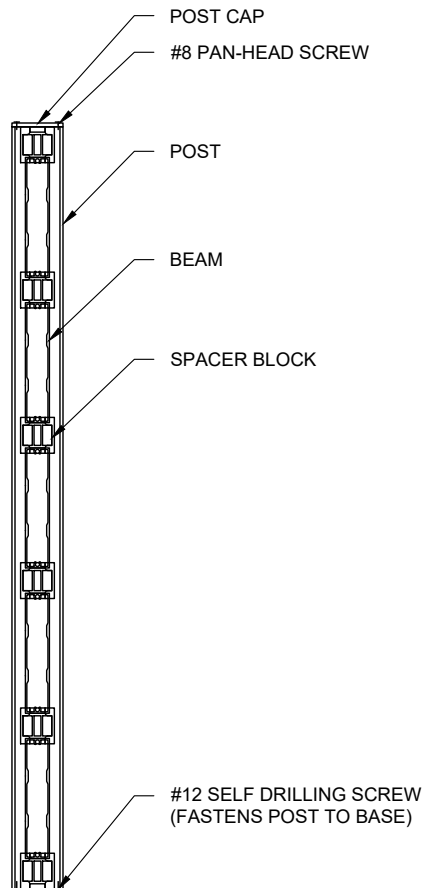


These drawings are published as an information guide only. These CAD drawings are intended as templates to assist the designer, they do not contain the full detail required for construction and must be read in conjunction with the installation instructions on www.longboardproducts.com. You should obtain architectural, engineering or other technical advice to assess the suitability of these drawings to the requirements of your particular project. Mayne Coatings Corp. and Longboard products accepts no liability in respect to the use of these drawings.

For complete installation instructions refer to the appropriate documentation at www.longboardsuppliers.com/installation

PRIVACY BEAMS FLOATING SYSTEM - INSIDE CORNER 3D





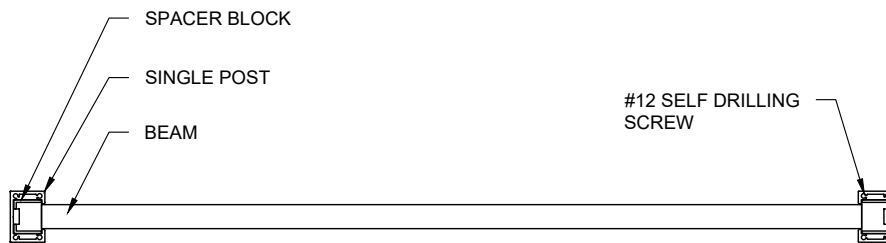
These drawings are published as an information guide only. These CAD drawings are intended as templates to assist the designer, they do not contain the full detail required for construction and must be read in conjunction with the installation instructions on www.longboardproducts.com. You should obtain architectural, engineering or other technical advice to assess the suitability of these drawings to the requirements of your particular project. Mayne Coatings Corp. and Longboard products accepts no liability in respect to the use of these drawings.

For complete installation instructions refer to the appropriate documentation at www.longboardsuppliers.com/installation

PRIVACY BEAMS END FRAME SYSTEM - SIDE SECTION VIEW

SCALE: 1-1/2" = 1'-0"





These drawings are published as an information guide only. These CAD drawings are intended as templates to assist the designer, they do not contain the full detail required for construction and must be read in conjunction with the installation instructions on www.longboardproducts.com. You should obtain architectural, engineering or other technical advice to assess the suitability of these drawings to the requirements of your particular project.

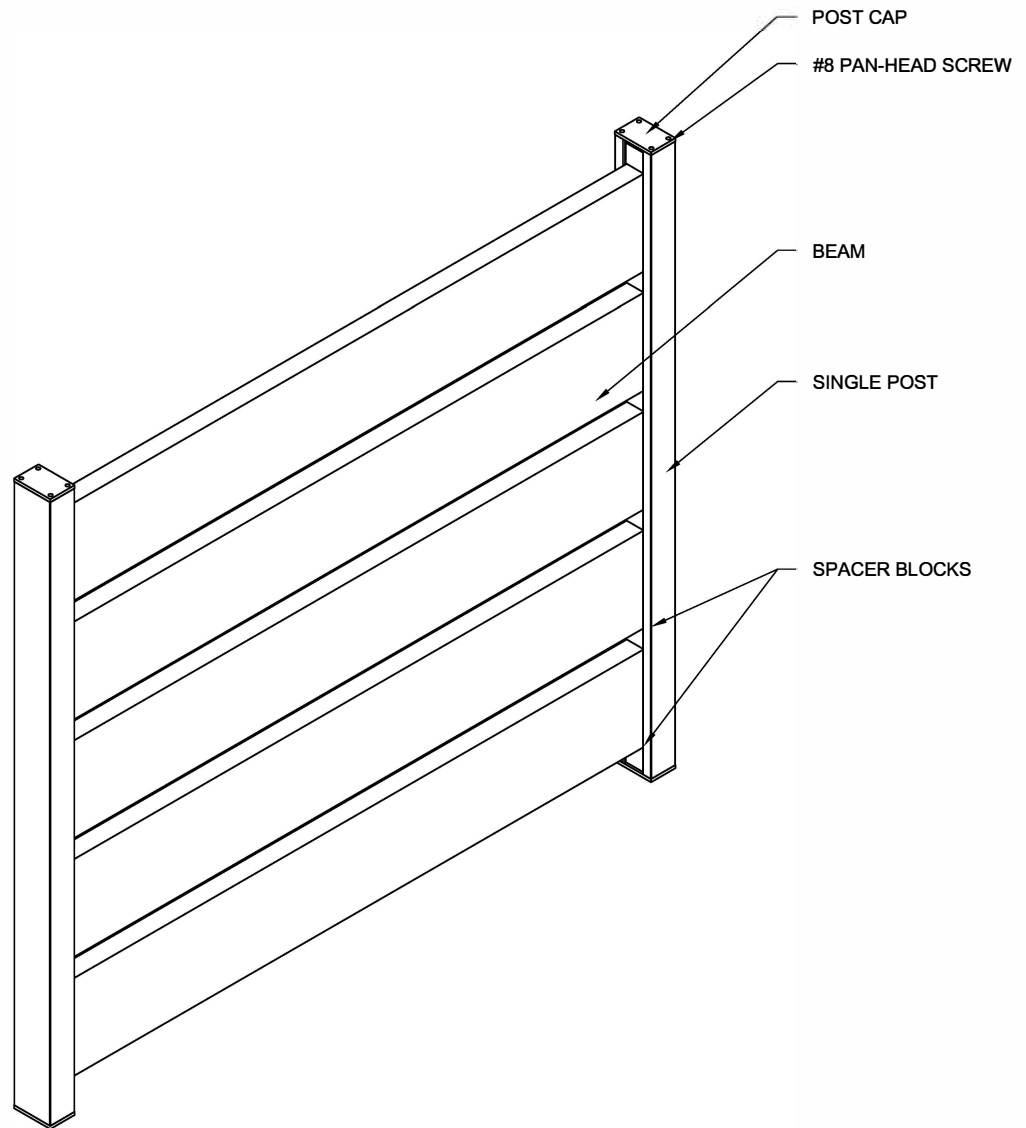
Mayne Coatings Corp. and Longboard products accepts no liability in respect to the use of these drawings.

For complete installation instructions refer to the appropriate documentation at www.longboardsuppliers.com/installation

PRIVACY BEAMS
END FRAME SYSTEM - TOP SECTION

SCALE: 1-1/2" = 1'-0"



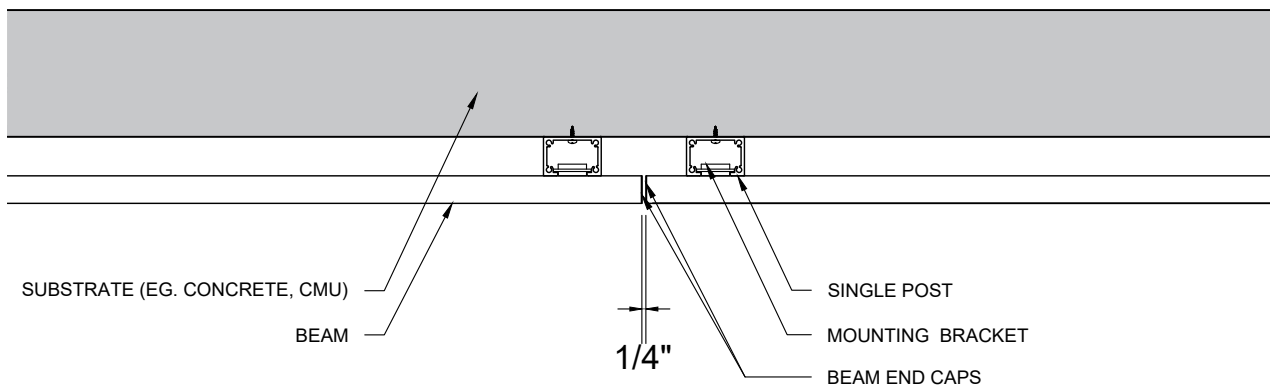


These drawings are published as an information guide only. These CAD drawings are intended as templates to assist the designer, they do not contain the full detail required for construction and must be read in conjunction with the installation instructions on www.longboardproducts.com. You should obtain architectural, engineering or other technical advice to assess the suitability of these drawings to the requirements of your particular project.
Mayne Coatings Corp. and Longboard products accepts no liability in respect to the use of these drawings.

For complete installation instructions refer to the appropriate documentation at www.longboardsuppliers.com/installation

PRIVACY BEAMS END FRAME SYSTEM - 3D VIEW





These drawings are published as an information guide only. These CAD drawings are intended as templates to assist the designer, they do not contain the full detail required for construction and must be read in conjunction with the installation instructions on www.longboardproducts.com. You should obtain architectural, engineering or other technical advice to assess the suitability of these drawings to the requirements of your particular project.

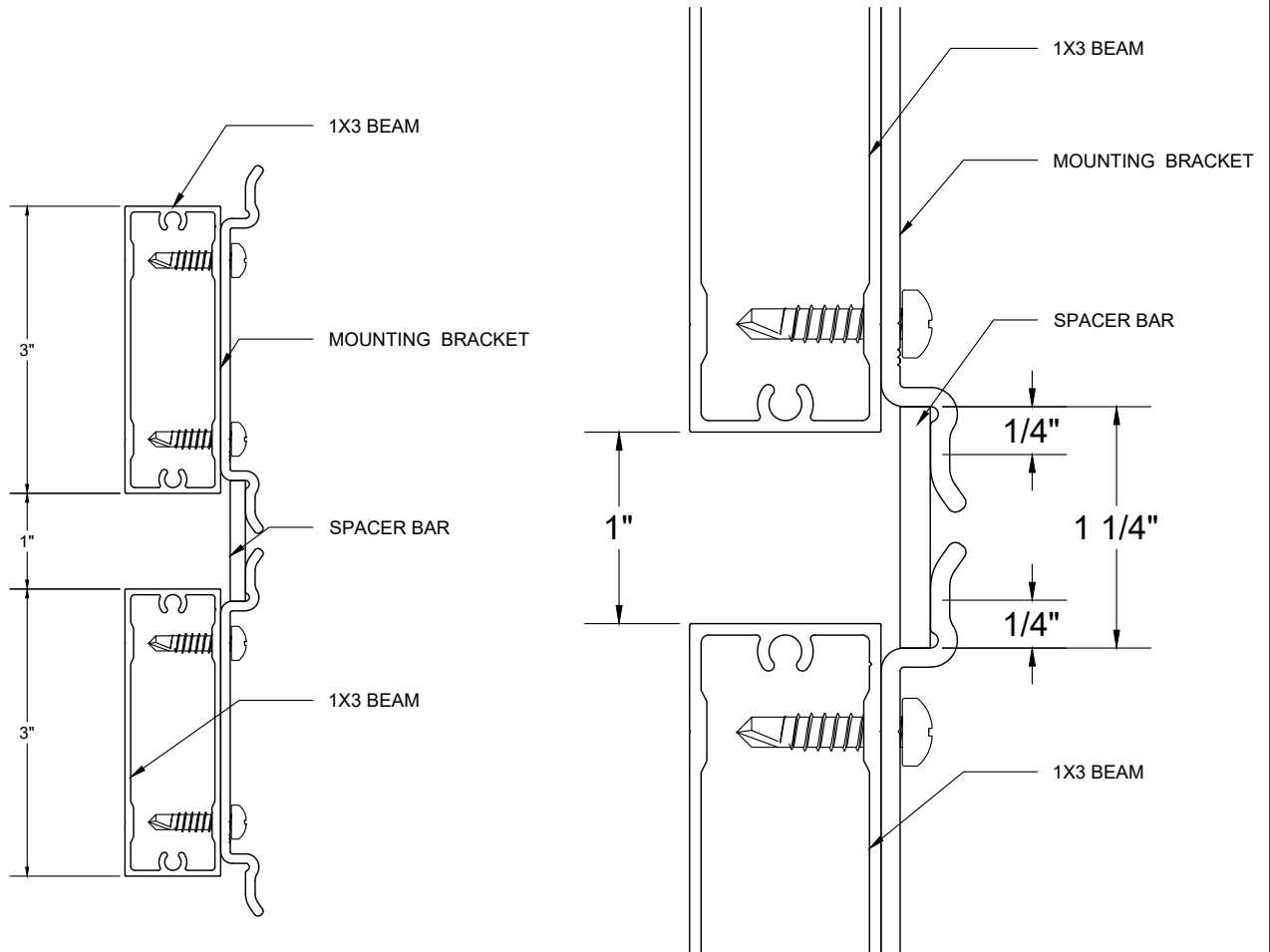
Mayne Coatings Corp. and Longboard products accepts no liability in respect to the use of these drawings.

For complete installation instructions refer to the appropriate documentation at www.longboardsuppliers.com/installation

PRIVACY BEAMS GAP BETWEEN BEAMS

SCALE: 1" = 1'-0"





SCALE: 6" = 1'-0"

SCALE: 1'-0" = 1'-0"

SPACER BAR LENGTH (in) : $N + 1/4$ "
WHERE 'N' IS DESIRED BEAM SPACING IN INCHES

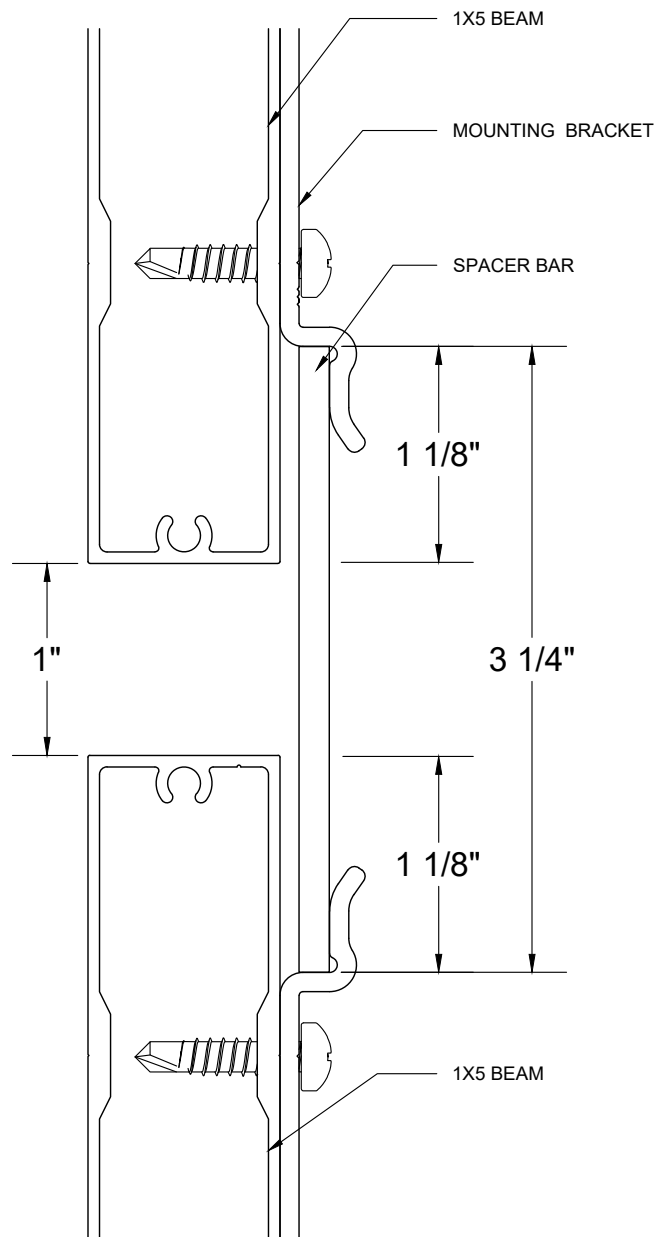
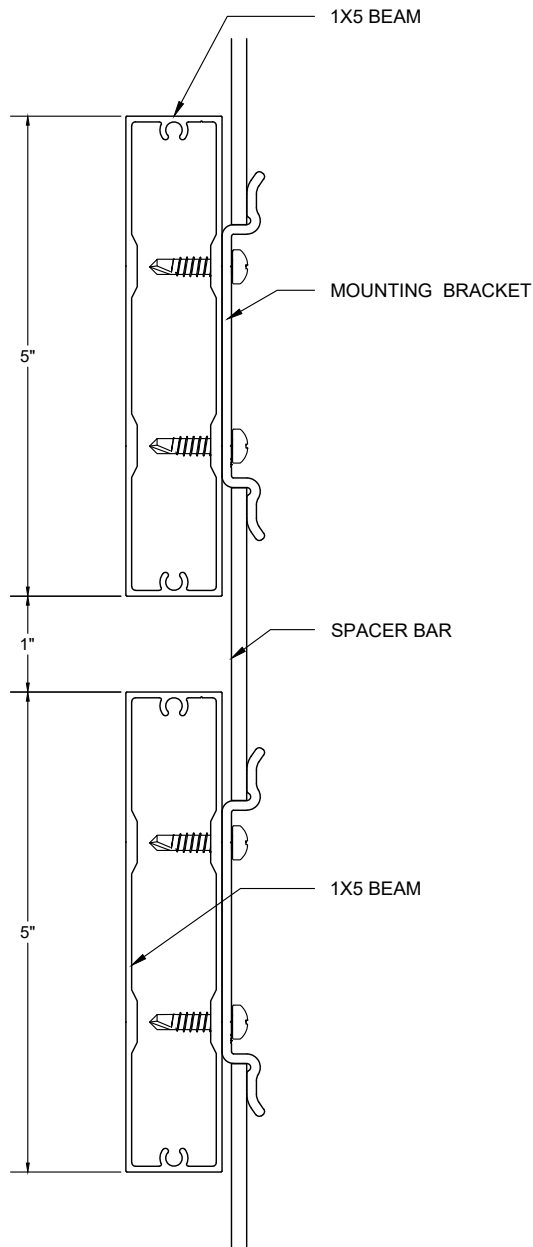
These drawings are published as an information guide only. These CAD drawings are intended as templates to assist the designer, they do not contain the full detail required for construction and must be read in conjunction with the installation instructions on www.longboardproducts.com. You should obtain architectural, engineering or other technical advice to assess the suitability of these drawings to the requirements of your particular project. Mayne Coatings Corp. and Longboard products accepts no liability in respect to the use of these drawings.

For complete installation instructions refer to the appropriate documentation at www.longboardsuppliers.com/installation

**PRIVACY BEAMS
 SPACING OF THE BEAMS - 1X3 BEAMS**

SCALE: AS INDICATED





SCALE: 6" = 1'-0"

SCALE: 1'-0" = 1'-0"

SPACER BAR LENGTH (in) : $N + 2 \frac{1}{4}$ "
WHERE 'N' IS DESIRED BEAM SPACING IN INCHES

These drawings are published as an information guide only. These CAD drawings are intended as templates to assist the designer, they do not contain the full detail required for construction and must be read in conjunction with the installation instructions on www.longboardproducts.com. You should obtain architectural, engineering or other technical advice to assess the suitability of these drawings to the requirements of your particular project.

Mayne Coatings Corp. and Longboard products accepts no liability in respect to the use of these drawings.

For complete installation instructions refer to the appropriate documentation at www.longboardsuppliers.com/installation

**PRIVACY BEAMS
 SPACING OF THE BEAMS - 1X5 BEAMS**

SCALE: AS INDICATED

