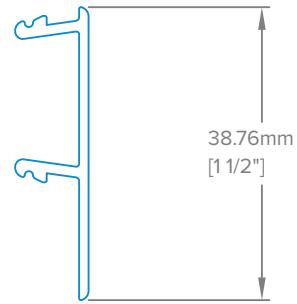
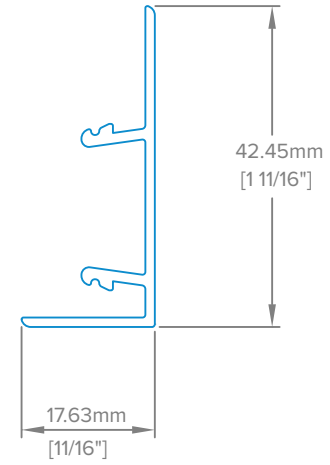


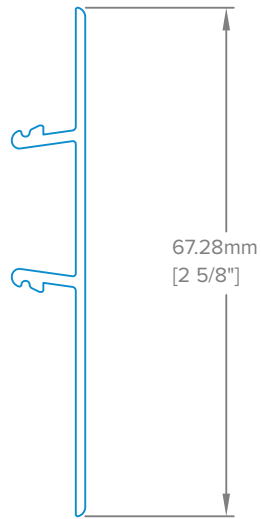
QP 41T



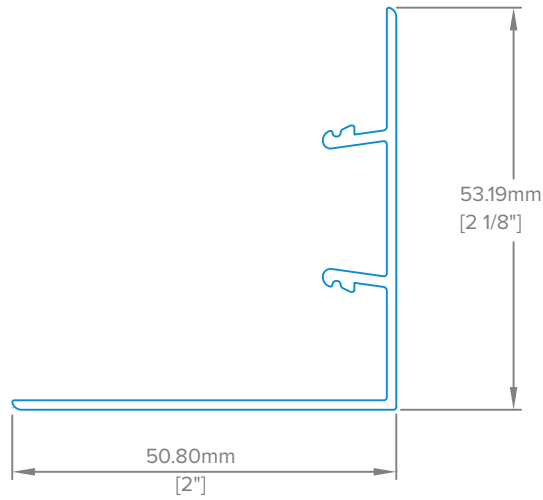
QP 42T



QP 43T




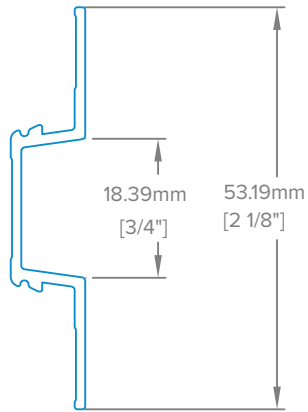
QP 44T



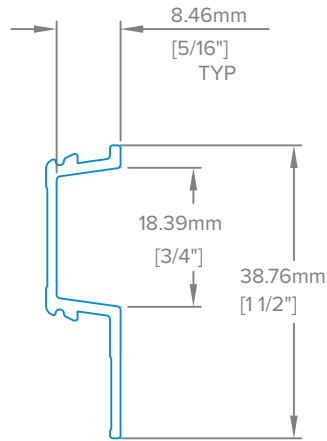
QP 45T

ALL TOP CAPS 1.25mm [.050"] ~16 ga

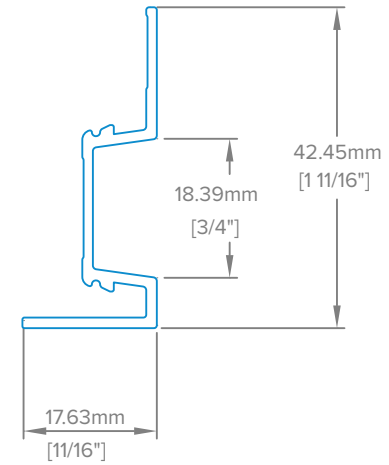
DESCRIPTION		ABSOLUTE SERIES™ TOP CAPS		
	SCALE	NTS	DRAWING NUMBER	
	DATE	AUG2021	QP1.1	
	DRWN BY	HJ		



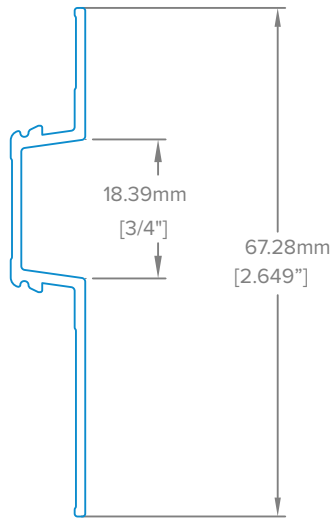
QP 05T



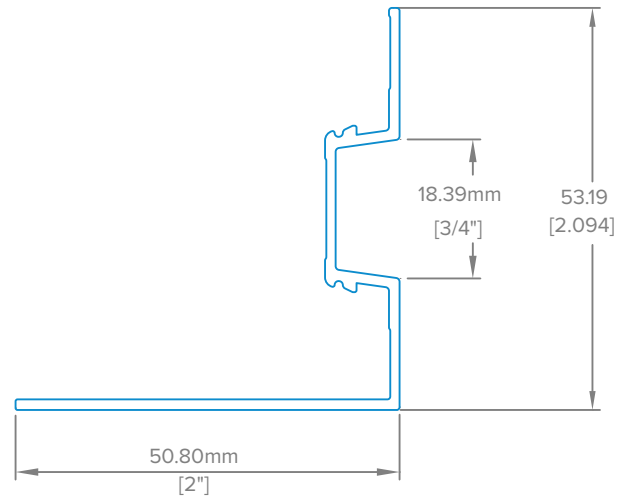
QP 09T



QP 17T




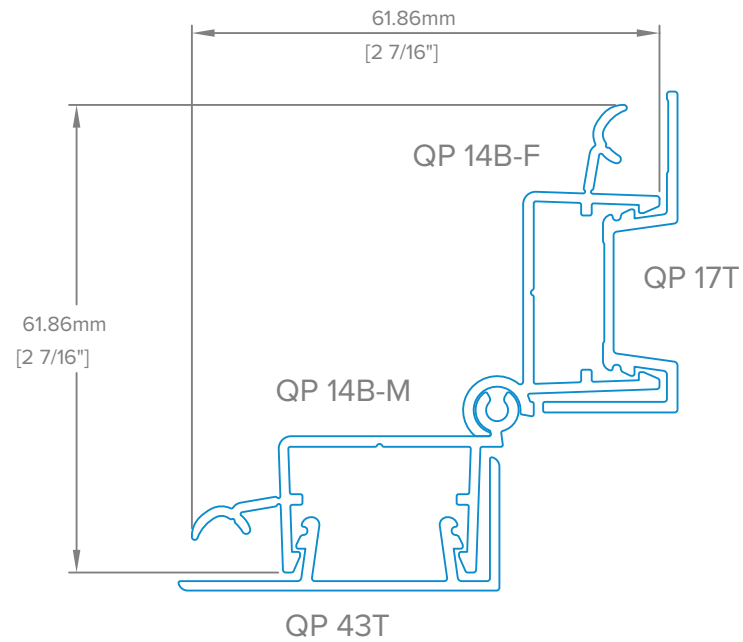
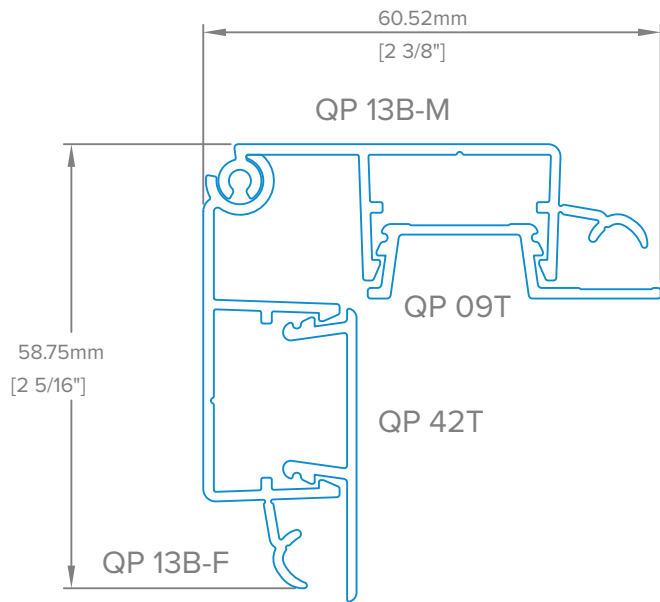
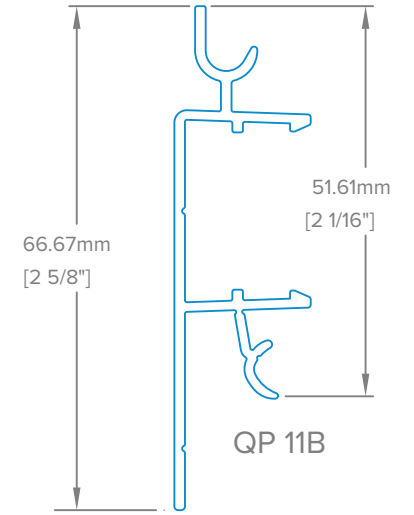
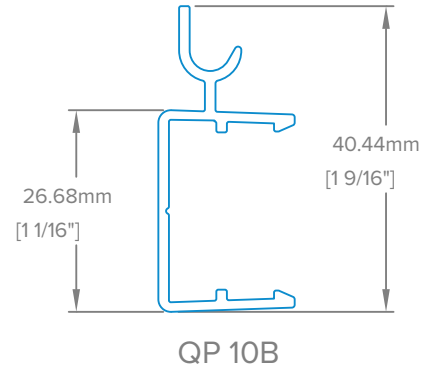
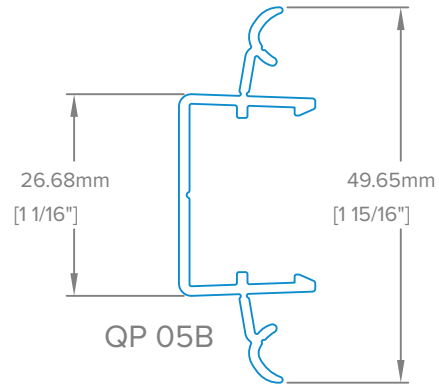
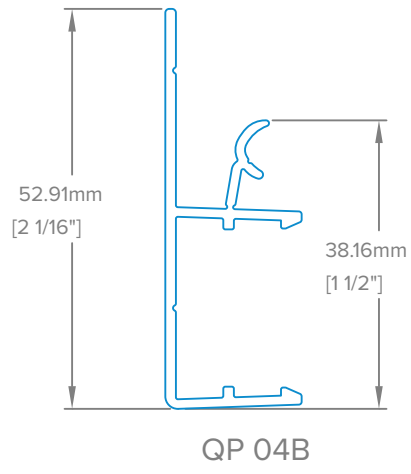
QP 19T




QP 27T

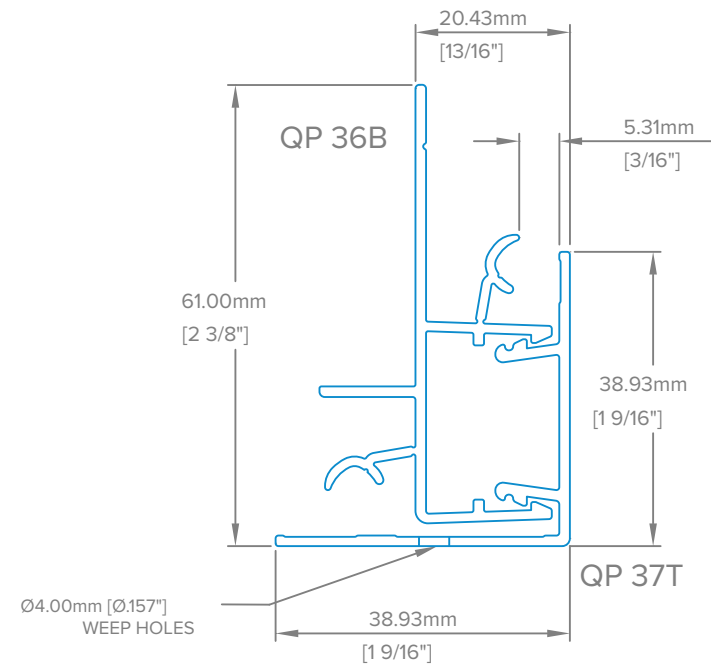
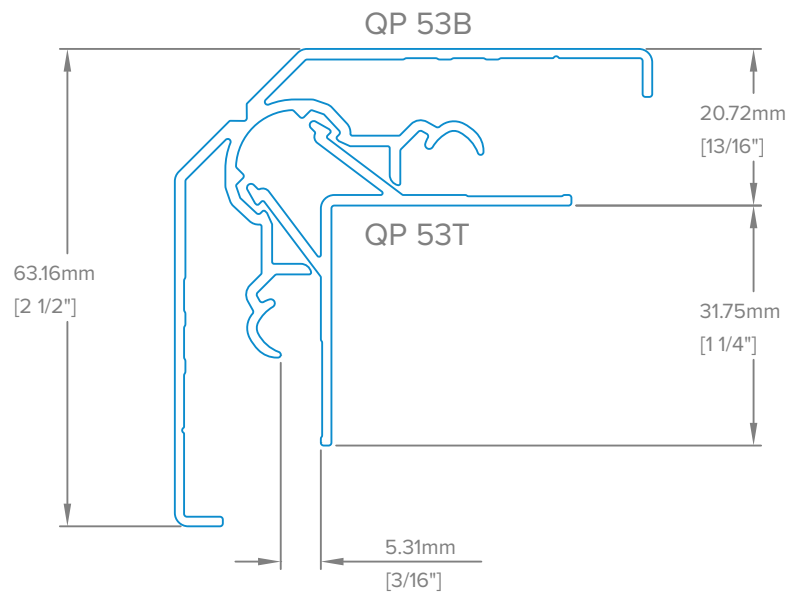
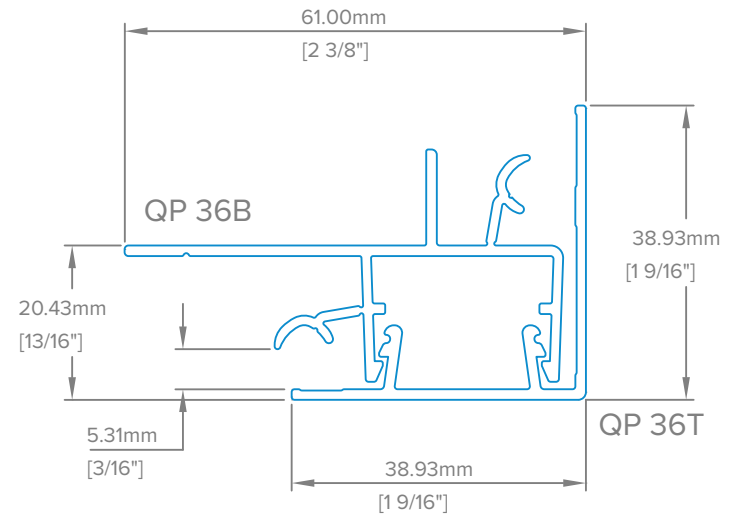
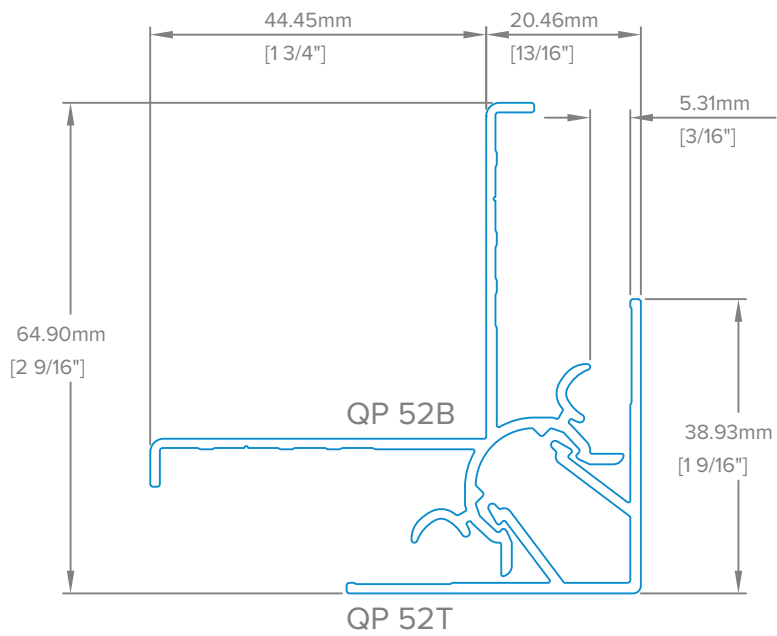
ALL TOP CAPS 1.25mm [.050\"] ~16 ga

DESCRIPTION		REVEAL SERIES™ TOP CAPS		
	SCALE	NTS	DRAWING NUMBER	
	DATE	AUG2021	QP1.2	
	DRWN BY	HJ		




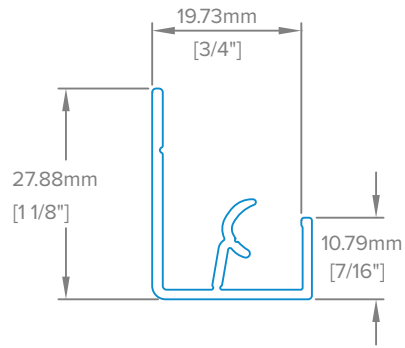
ALL BACK PLATES 1.40mm [.055"] ~15 ga

DESCRIPTION			
<b>BACK PLATES</b>			
	SCALE	NTS	DRAWING NUMBER
	DATE	AUG2021	QP1.3
	DRWN BY	HJ	

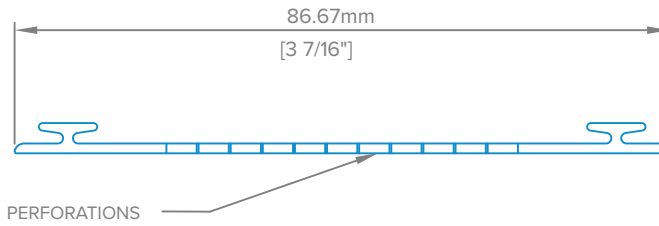


ALL TOP CAPS 1.25mm [.050"] ~16 ga  
 ALL BACK PLATES 1.40mm [.055"] ~15 ga

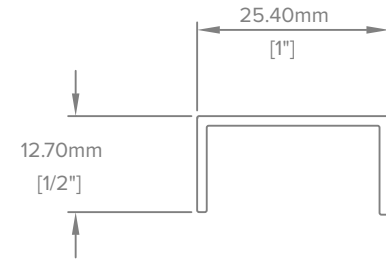
DESCRIPTION			
<b>UNIVERSAL TRIMS</b>			
	SCALE	NTS	DRAWING NUMBER
	DATE	AUG2021	QP1.4
	DRWN BY	HJ	



QP 20S




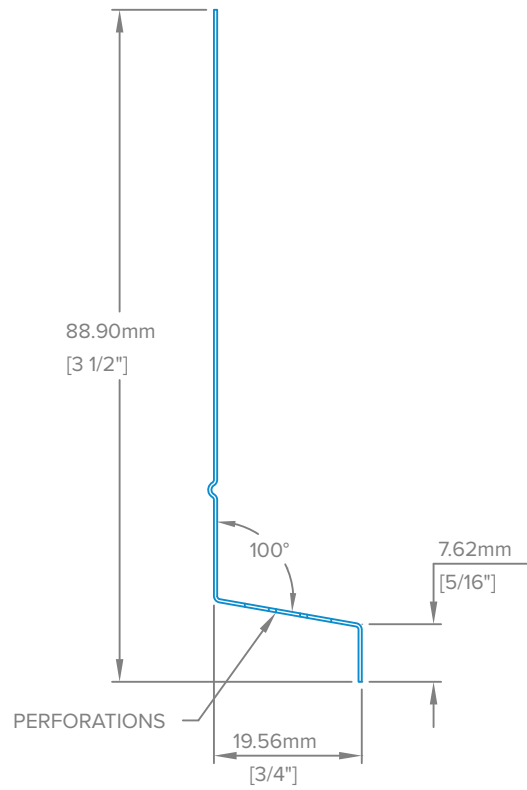
QP 25S



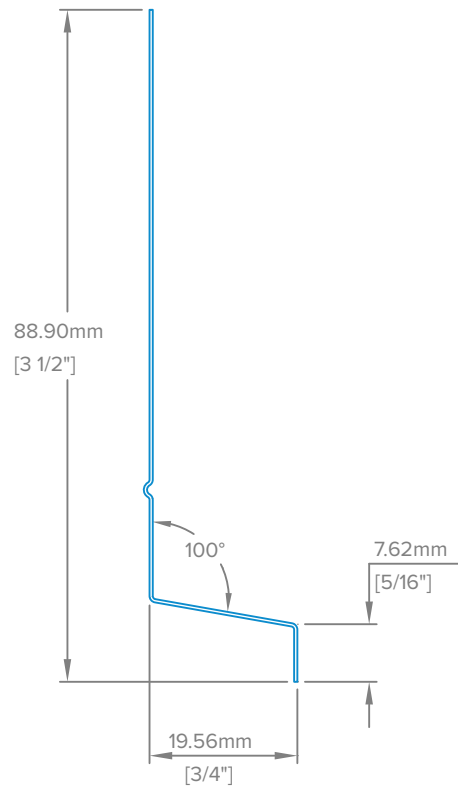
QP 06S (PVC)



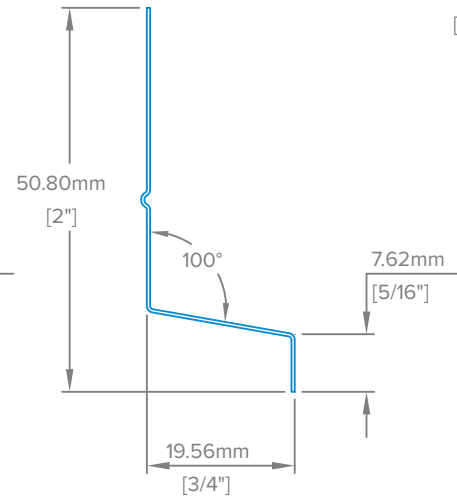
DESCRIPTION			
ONE PIECE TRIMS			
 <b>QuickPanel</b> Systems	SCALE	NTS	DRAWING NUMBER
	DATE	AUG2021	QP1.5
	DRWN BY	HJ	



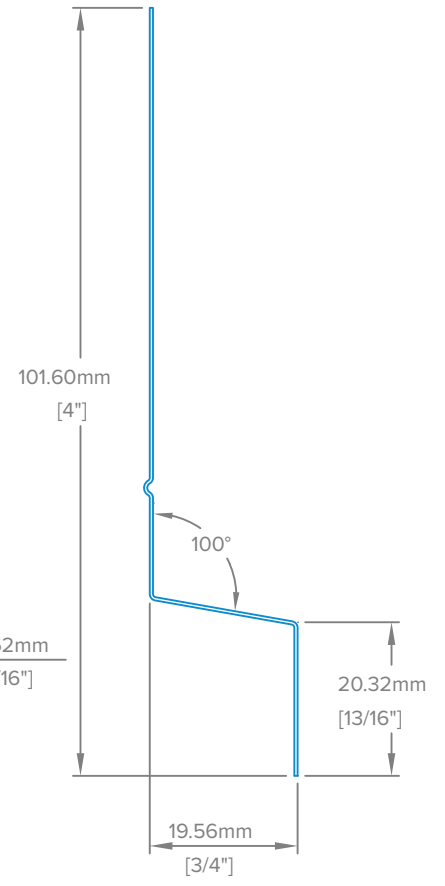
QP 01F



QP 07F




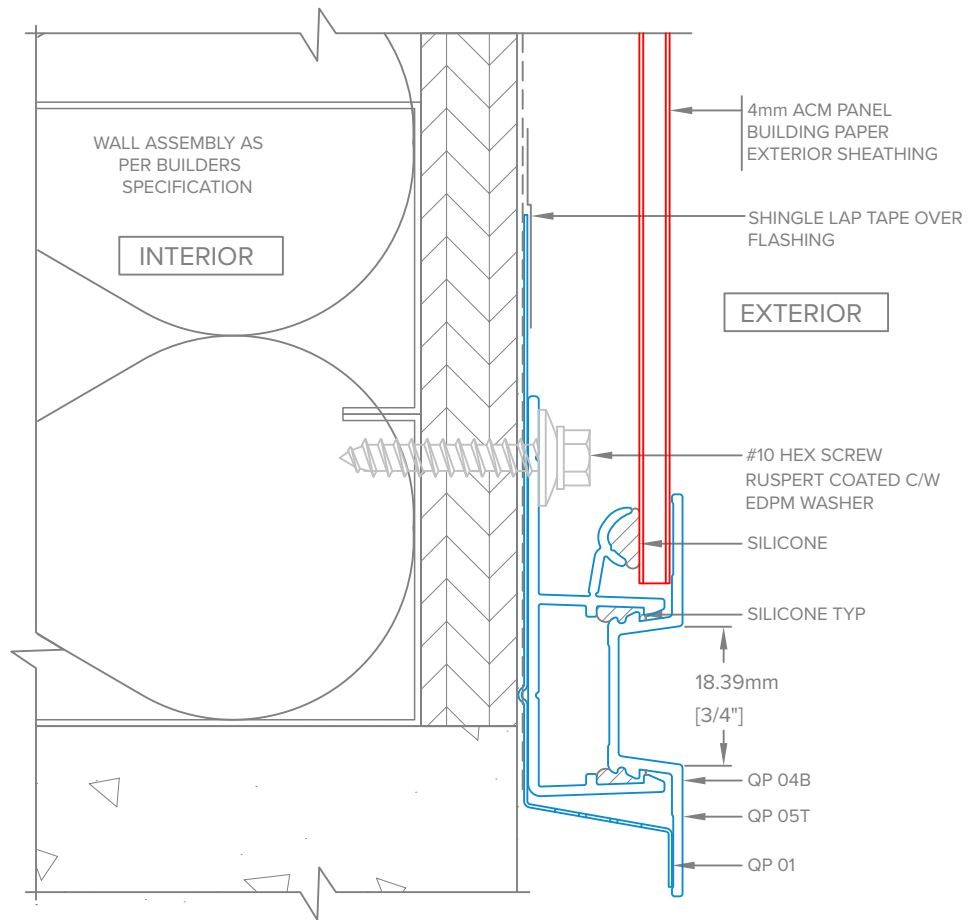
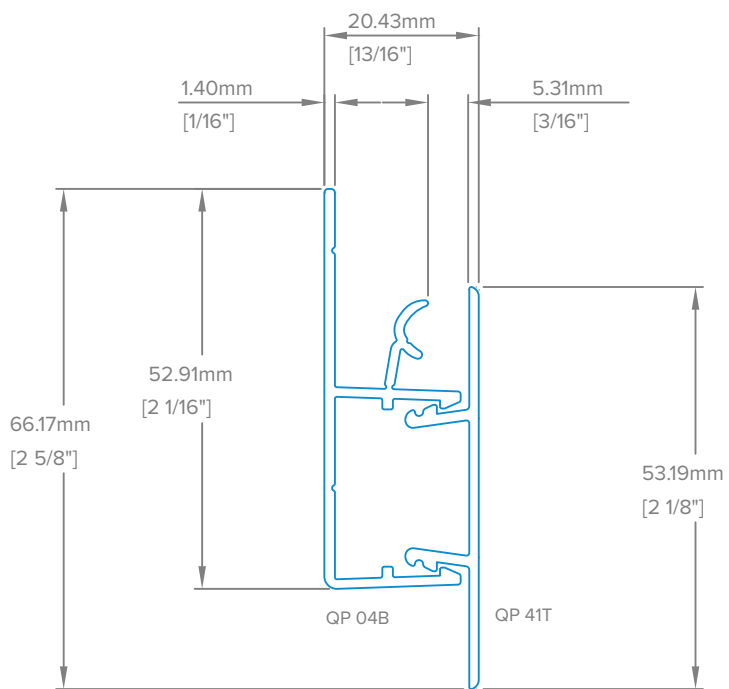
QP 07WSF




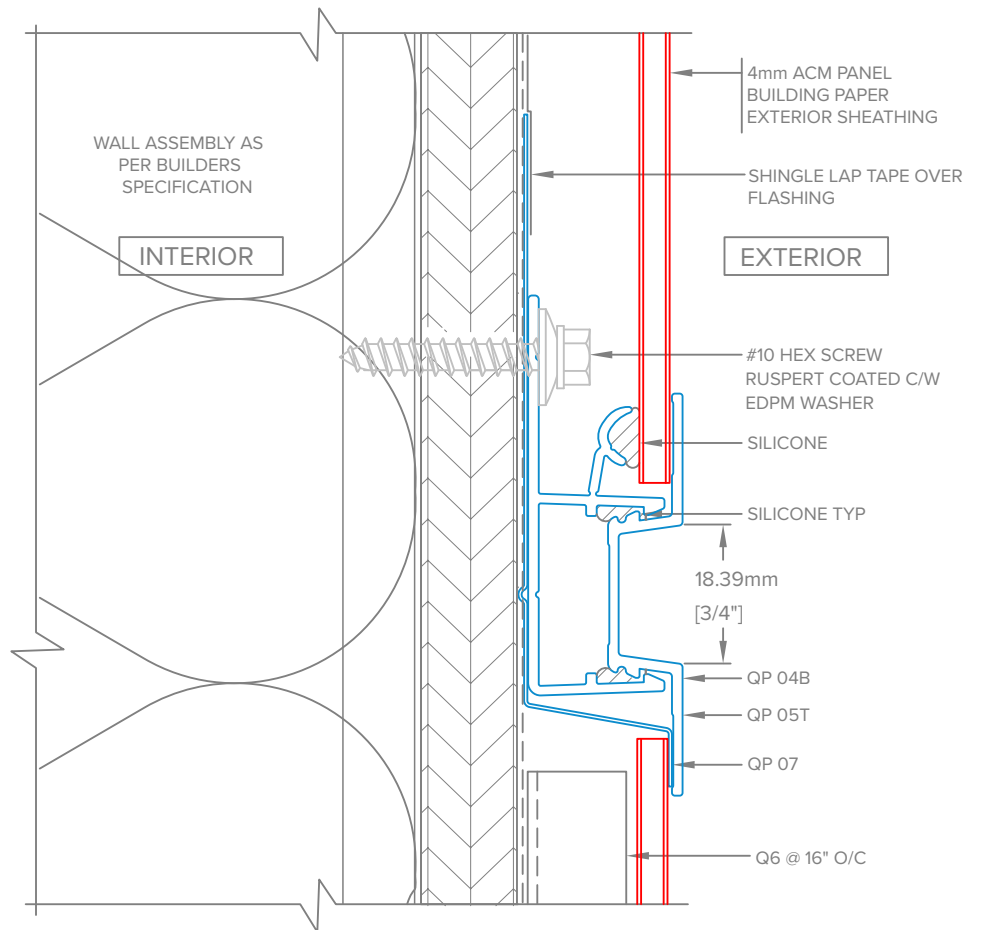
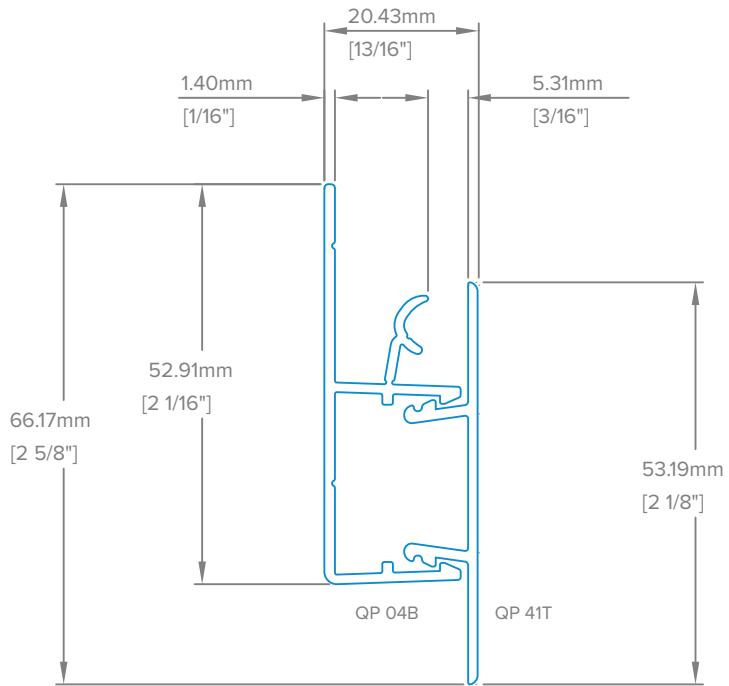
QP 18F


ALL FLASHING 26 ga

DESCRIPTION			
FLASHING			
 <b>QuickPanel</b> Systems	SCALE	NTS	DRAWING NUMBER
	DATE	AUG2021	QP1.6
	DRWN BY	HJ	

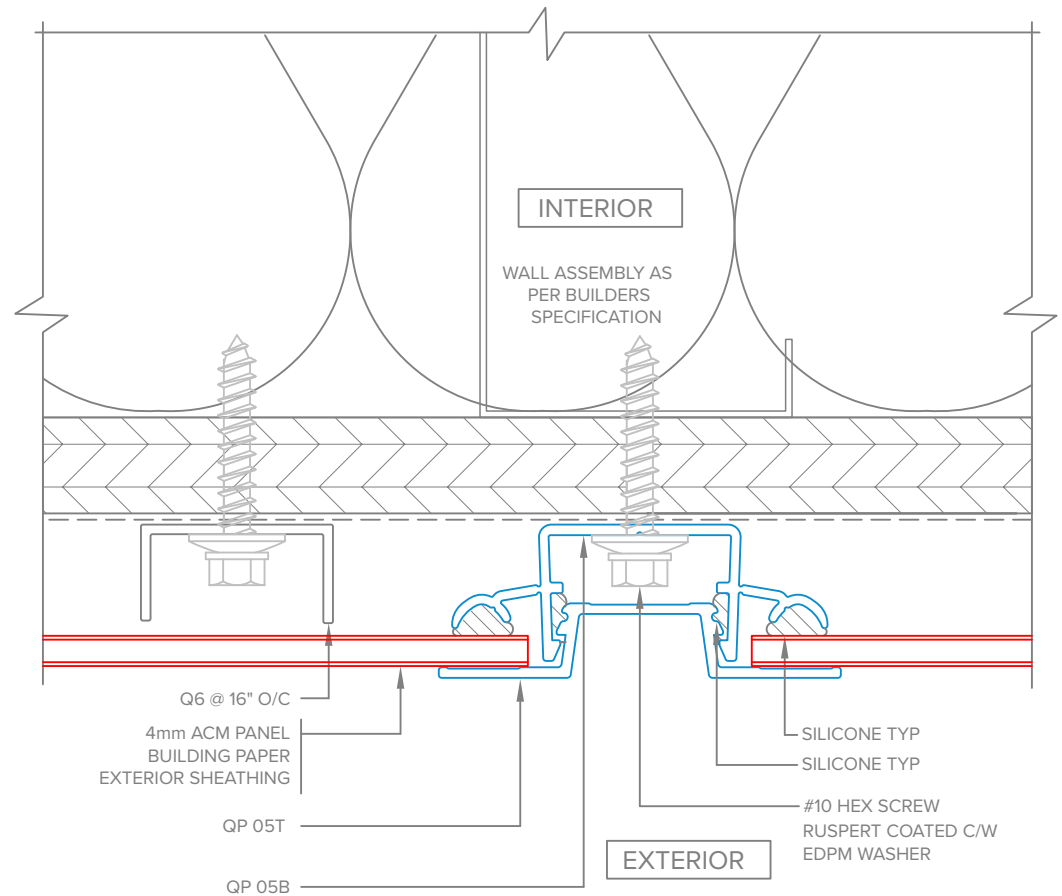
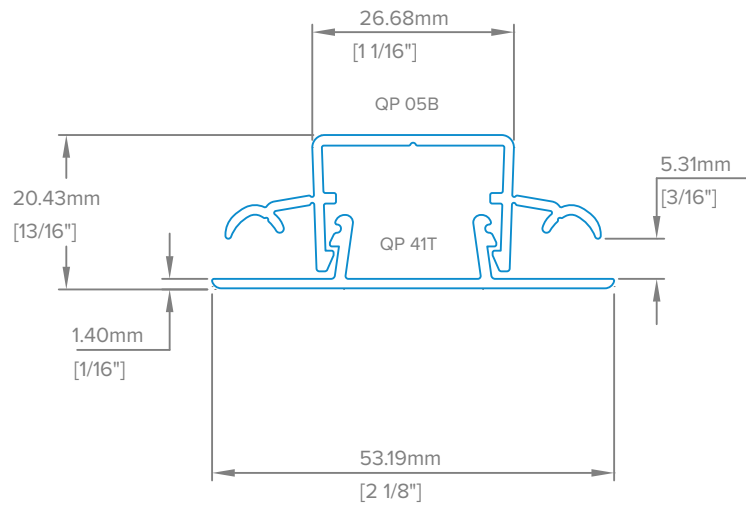
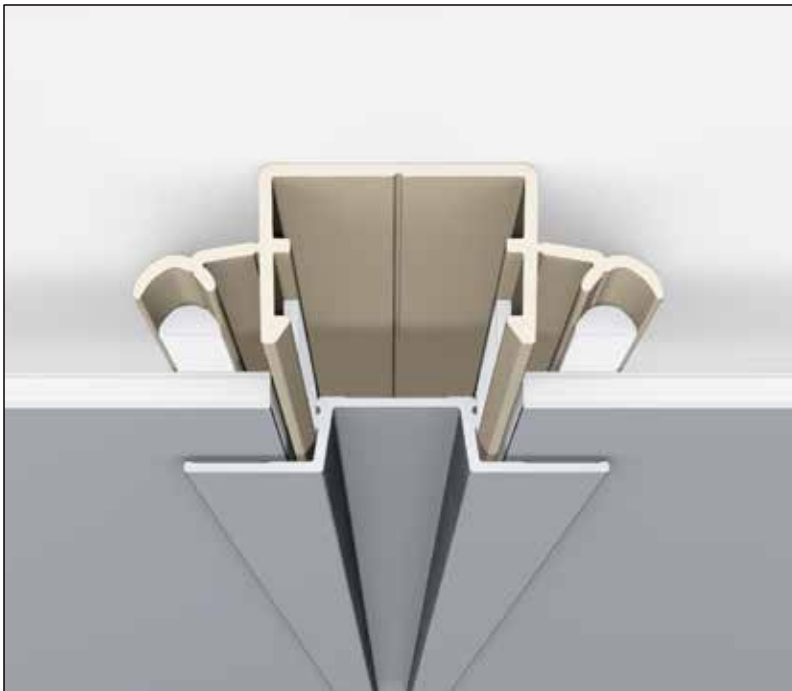



DESCRIPTION			
<b>PERIMETER STARTER DETAIL</b>			
 <b>QuickPanel</b> Systems	SCALE	NTS	DRAWING NUMBER
	DATE	AUG2021	QP2.1
	DRWN BY	HJ	

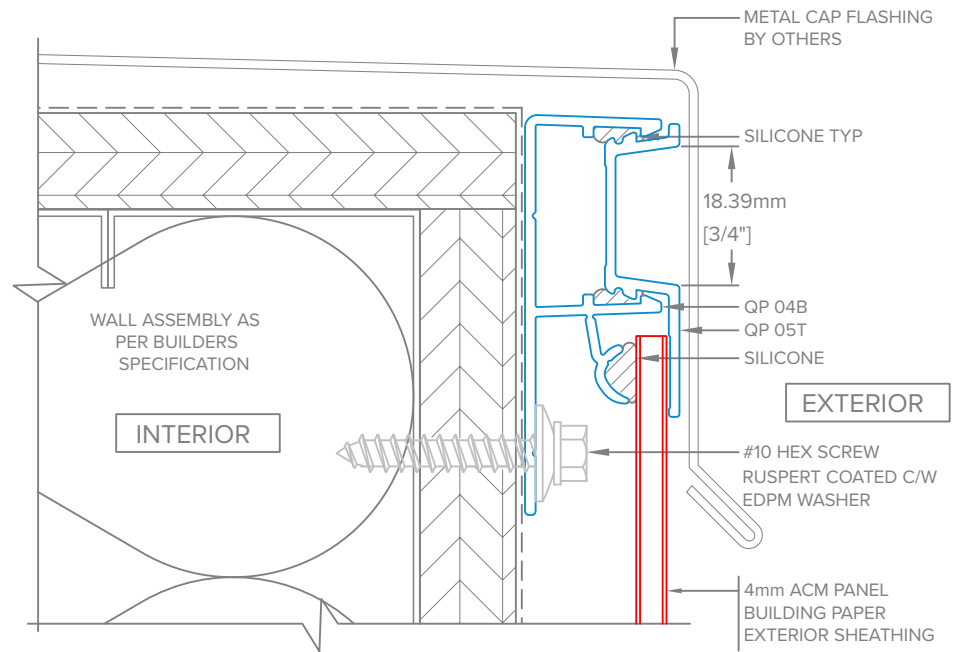
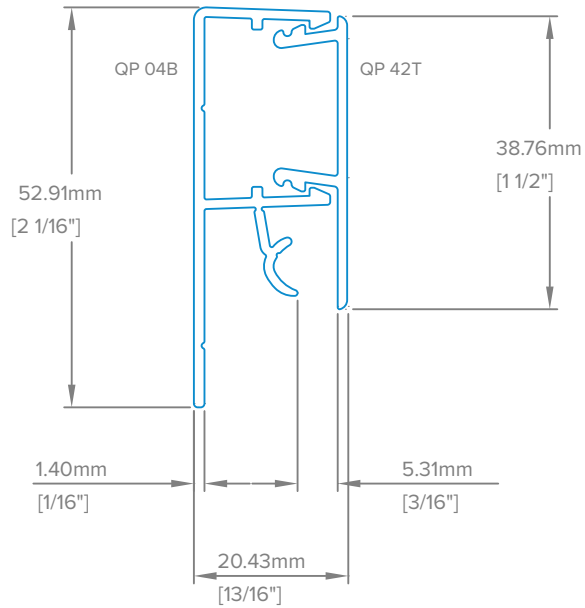



DESCRIPTION			
<b>HORIZONTAL MAINBODY DETAIL</b>			
 <b>QuickPanel</b> Systems	SCALE	NTS	DRAWING NUMBER
	DATE	AUG2021	QP2.2
	DRWN BY	HJ	

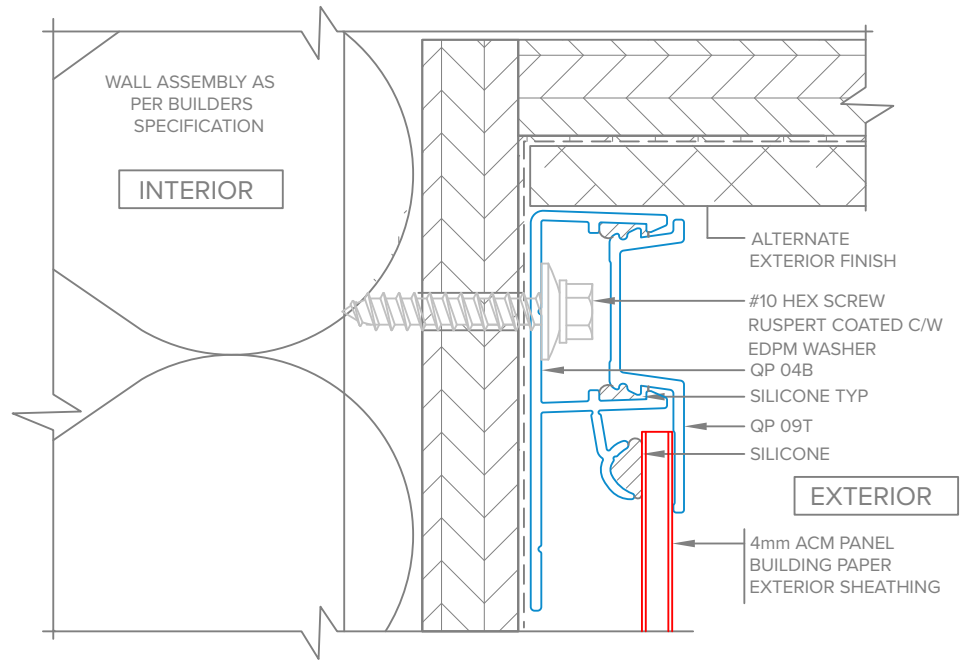
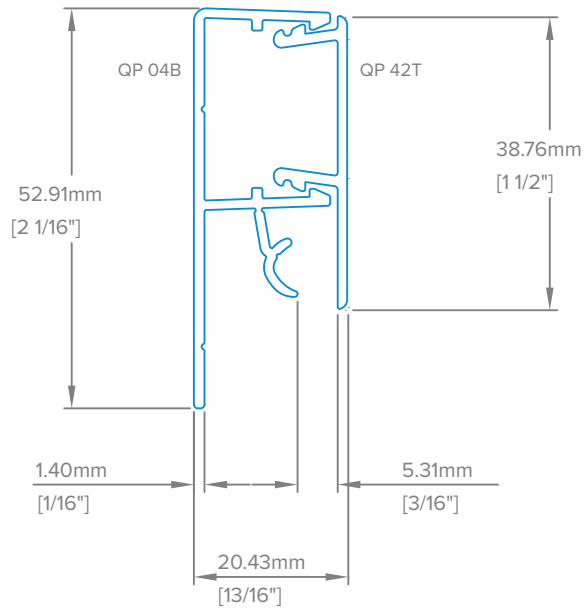





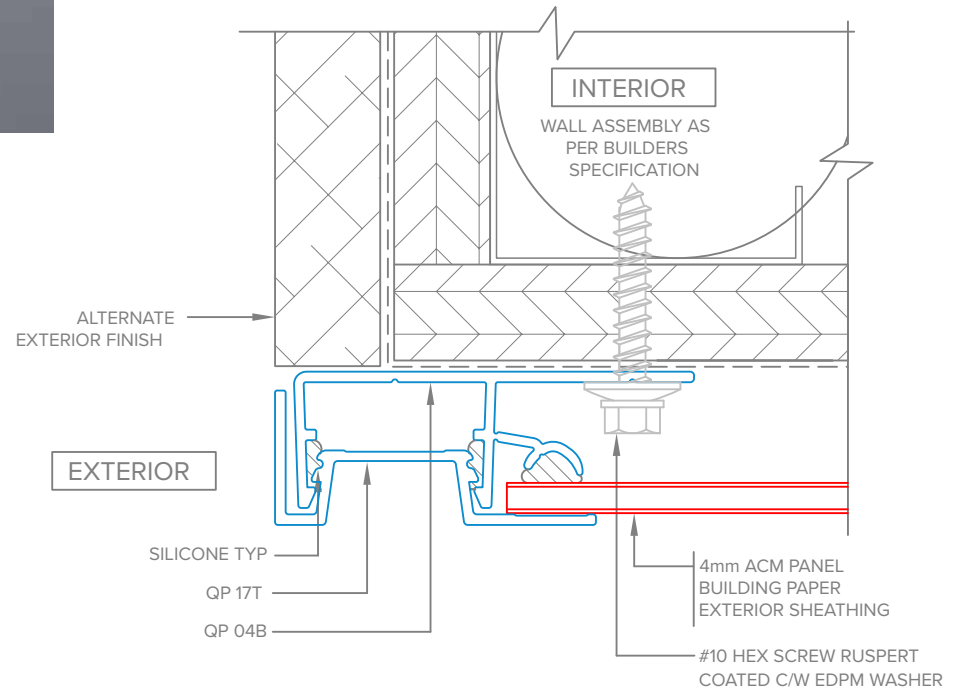
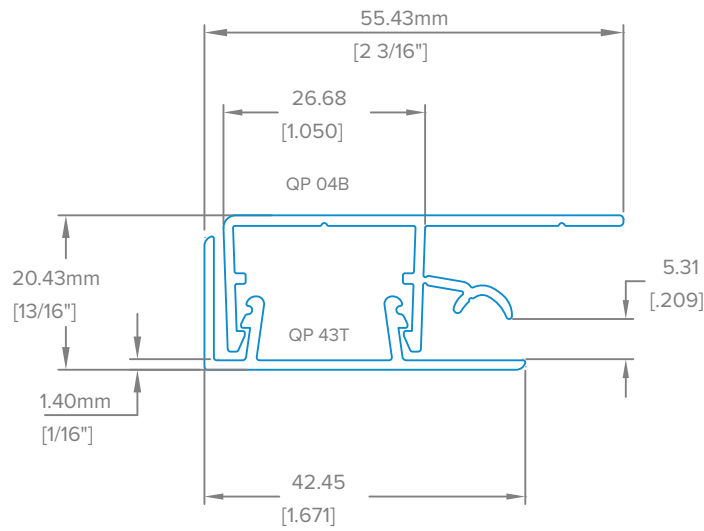
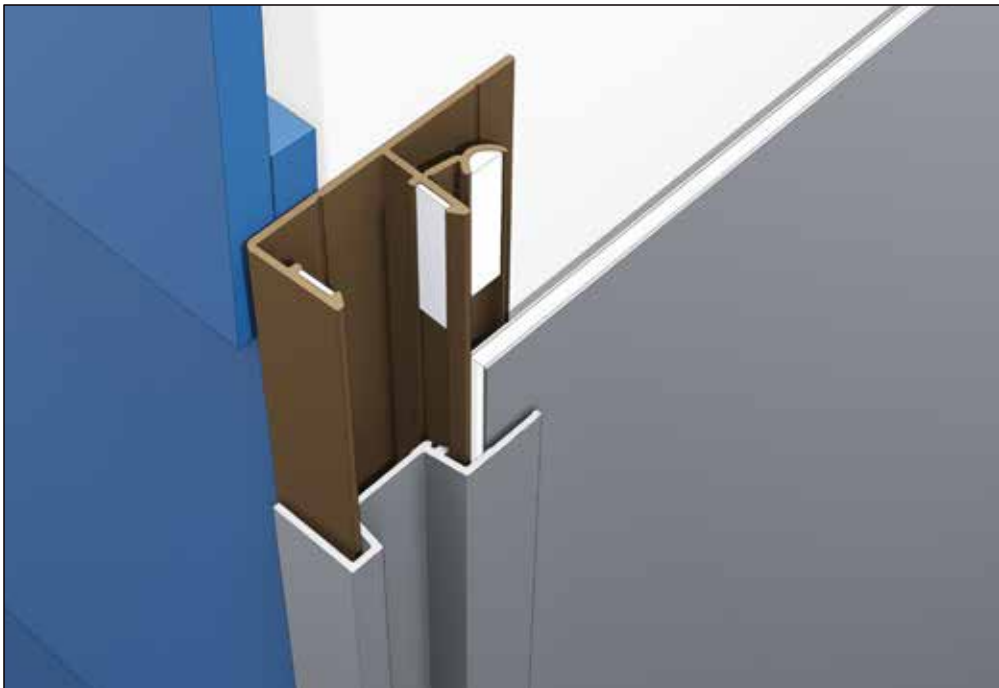
DESCRIPTION			
<b>VERTICAL MAINBODY DETAIL</b>			
 <b>QuickPanel</b> Systems	SCALE	NTS	DRAWING NUMBER
	DATE	AUG2021	QP2.3
	DRWN BY	HJ	




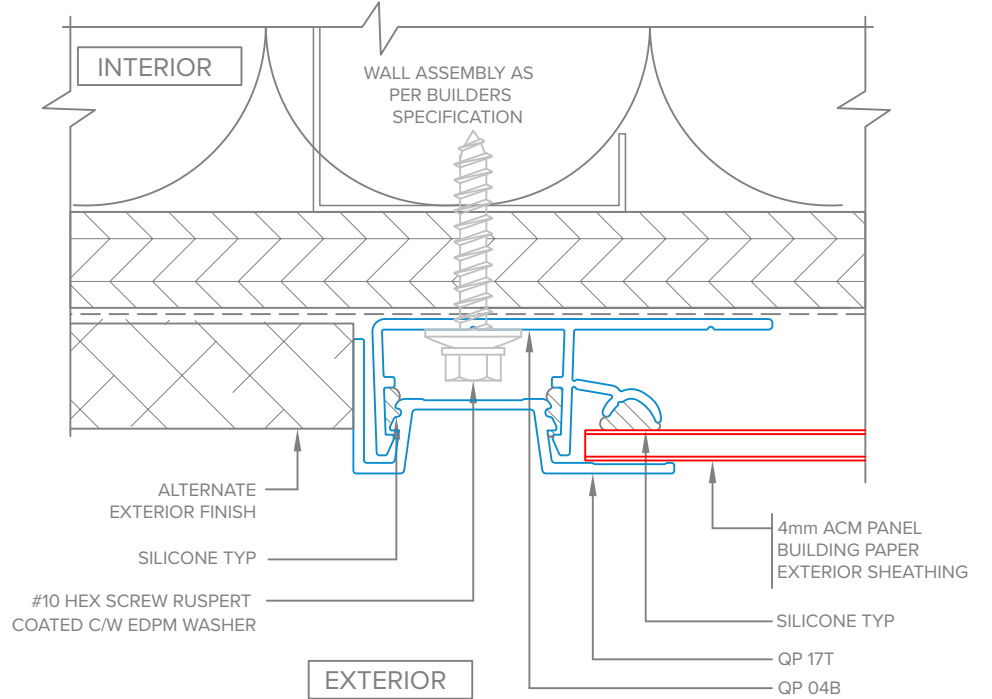
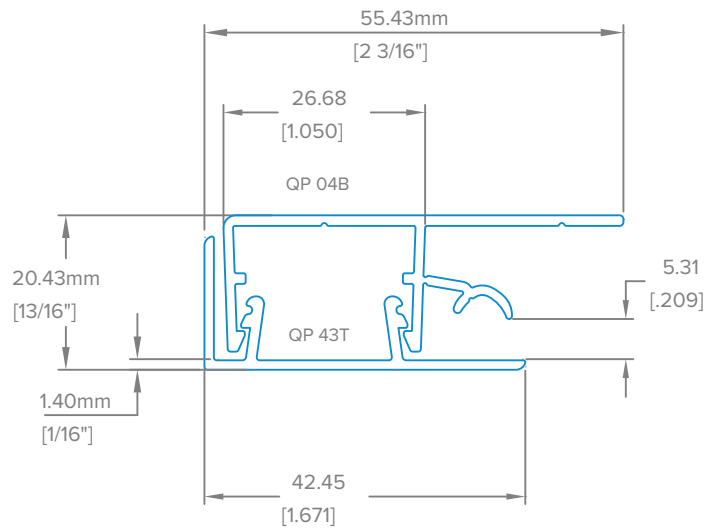
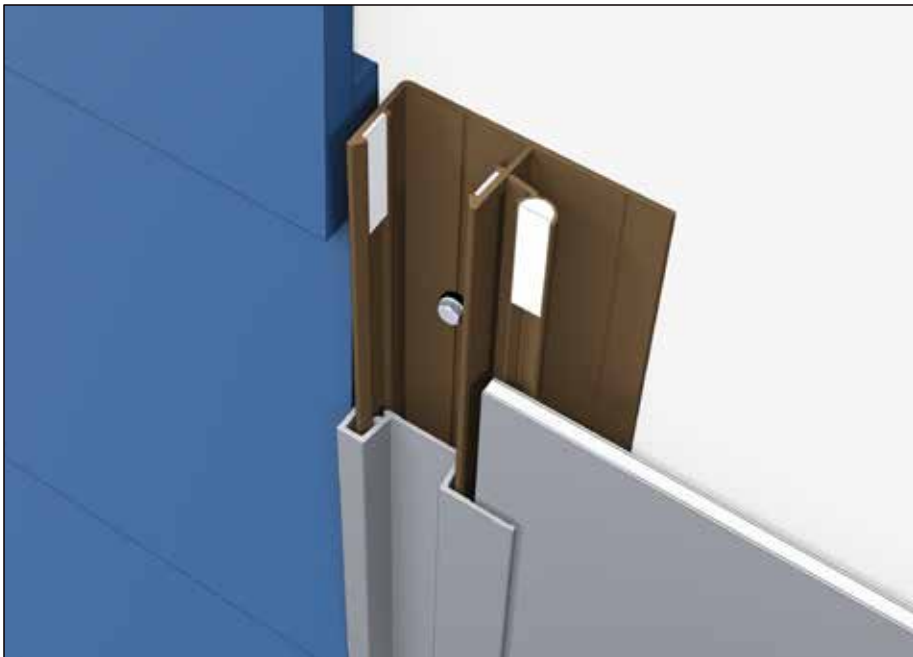
DESCRIPTION			
<b>PARAPET TERMINATION DETAIL</b>			
 <b>QuickPanel</b> Systems	SCALE	NTS	DRAWING NUMBER
	DATE	AUG2021	QP2.4
	DRWN BY	HJ	




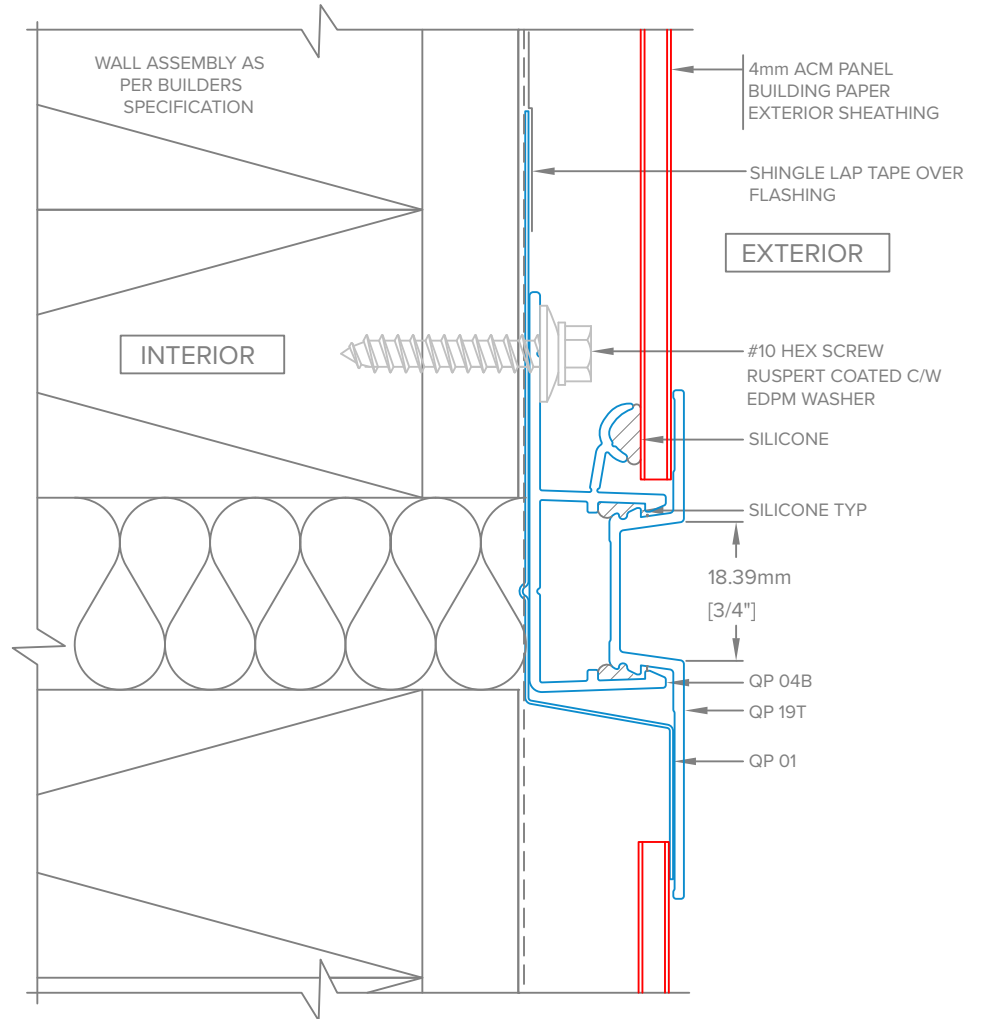
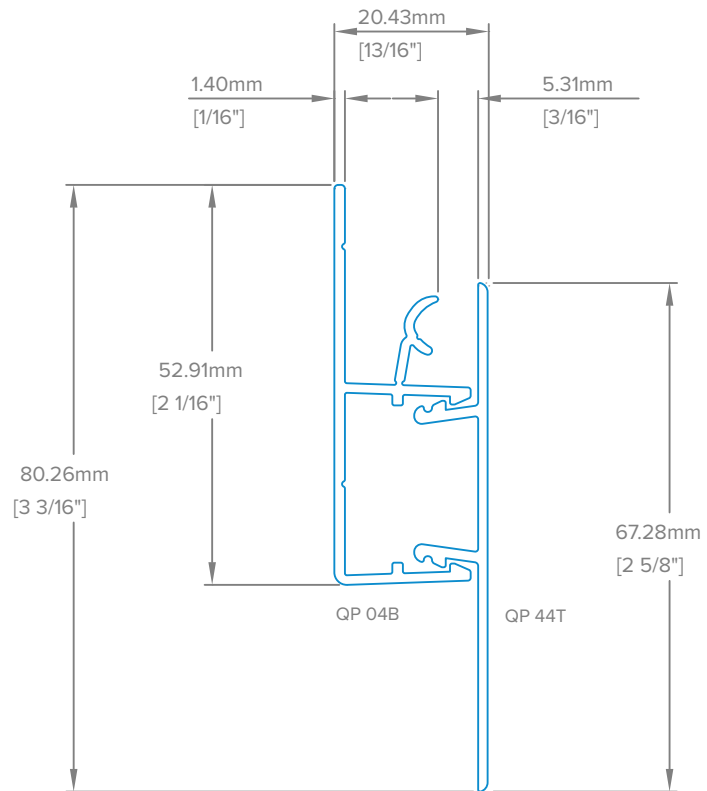
DESCRIPTION			
<b>SOFFIT TERMINATION DETAIL</b>			
 <b>QuickPanel</b> Systems	SCALE	NTS	DRAWING NUMBER
	DATE	AUG2021	QP2.5
	DRWN BY	HJ	




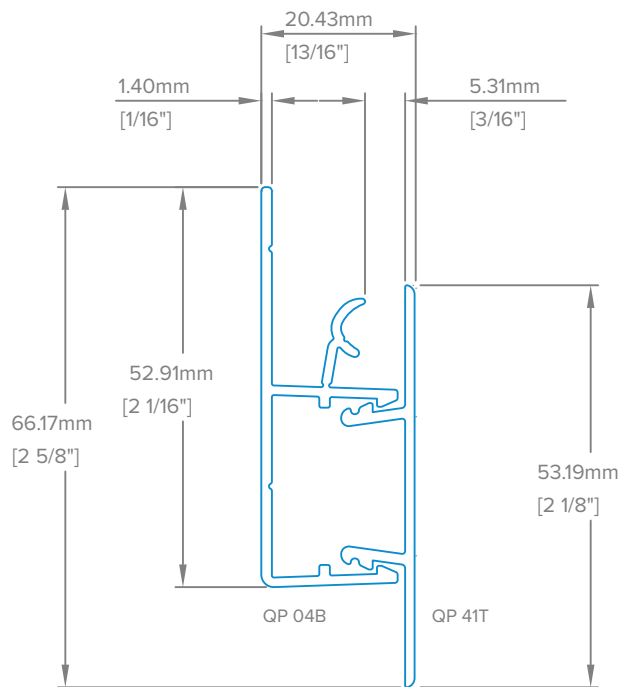
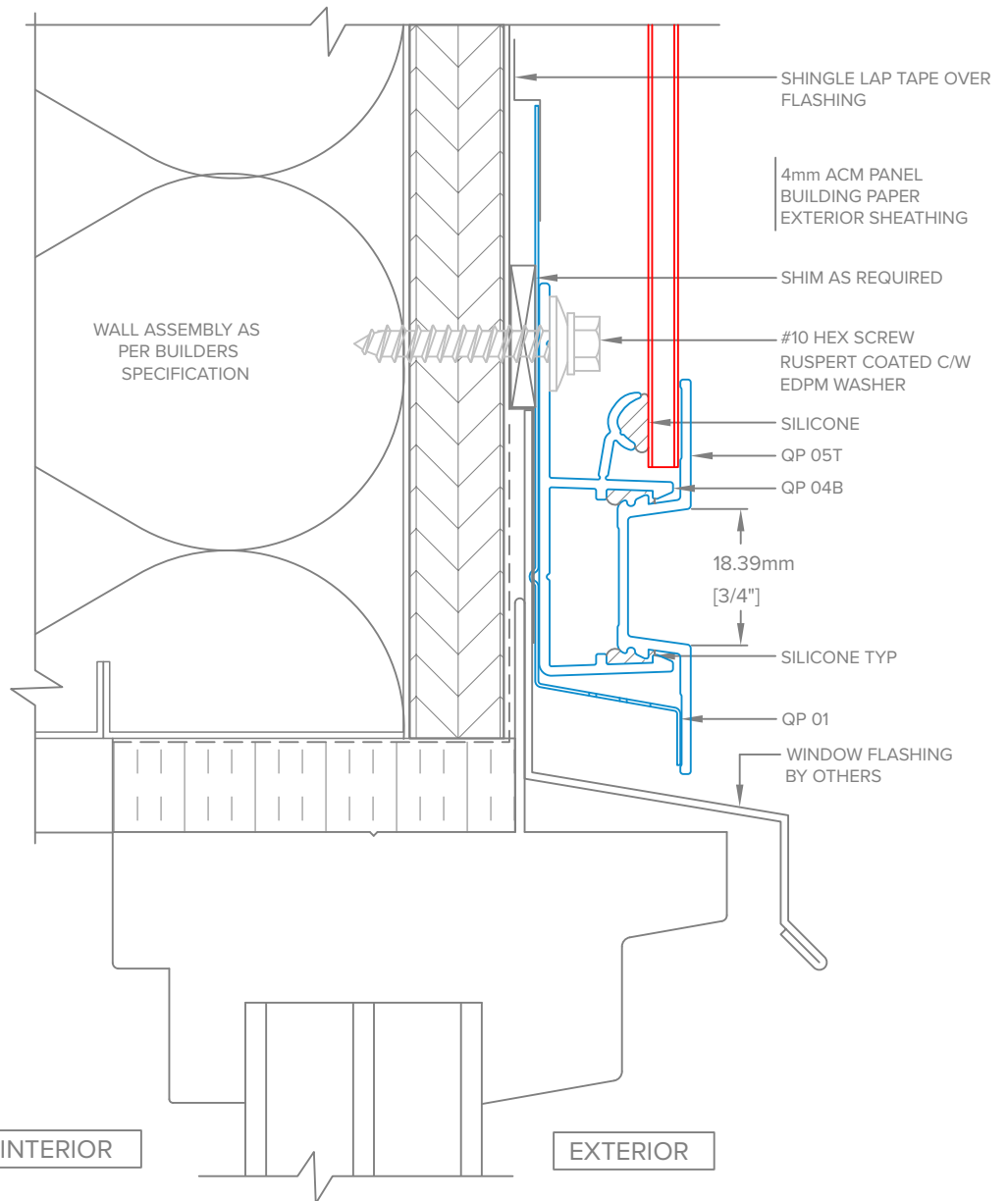
DESCRIPTION			
<b>CORNER TERMINATION DETAIL</b>			
 <b>QuickPanel</b> Systems	SCALE	NTS	DRAWING NUMBER
	DATE	AUG2021	QP2.6
	DRWN BY	HJ	




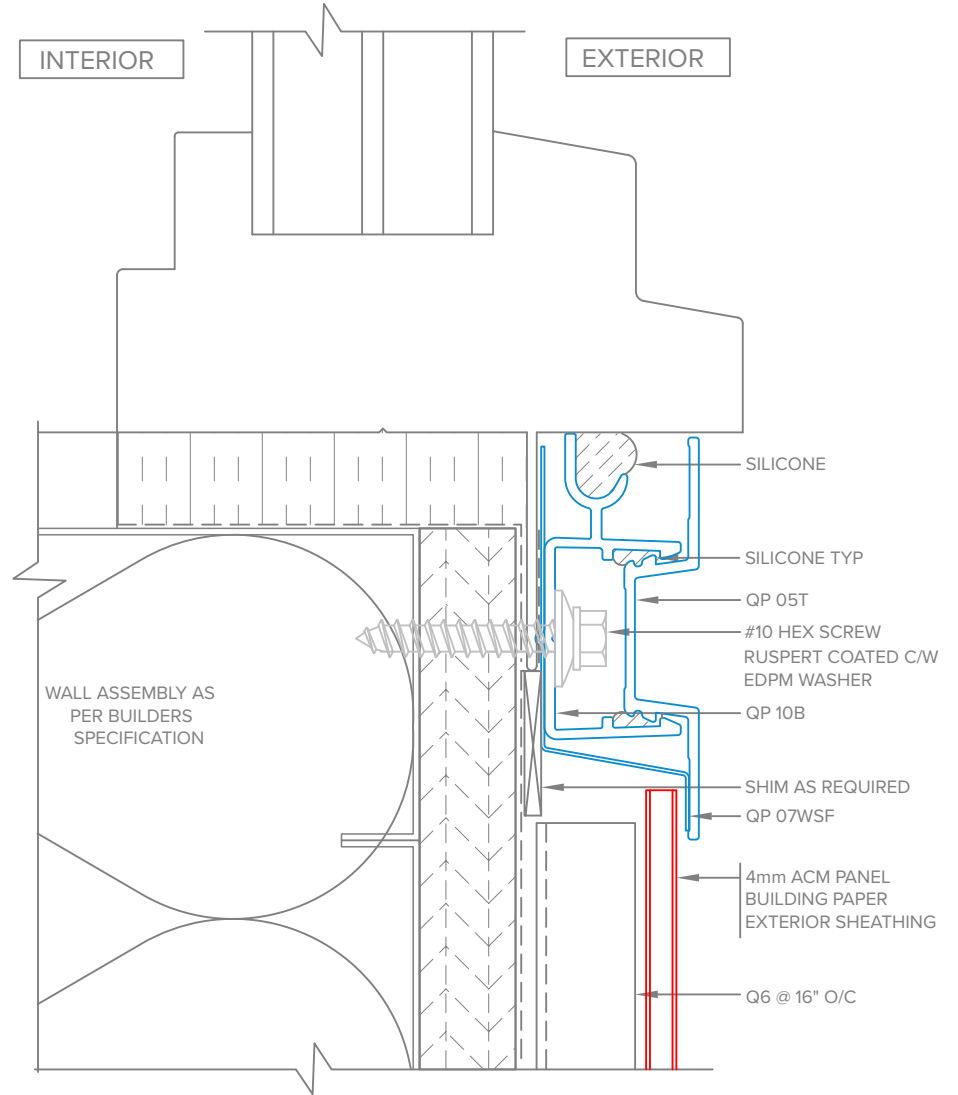
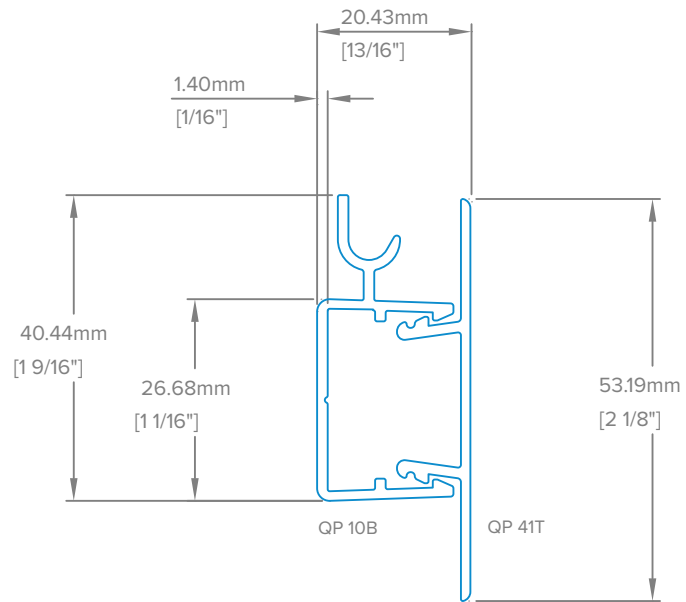
DESCRIPTION			
<b>VERTICAL TERMINATION DETAIL</b>			
	SCALE	NTS	DRAWING NUMBER
	DATE	AUG2021	QP2.7
	DRWN BY	HJ	




DESCRIPTION			
<b>HORIZONTAL COMPRESSION DETAIL</b>			
	SCALE	NTS	DRAWING NUMBER
	DATE	AUG2021	QP2.8
	DRWN BY	HJ	

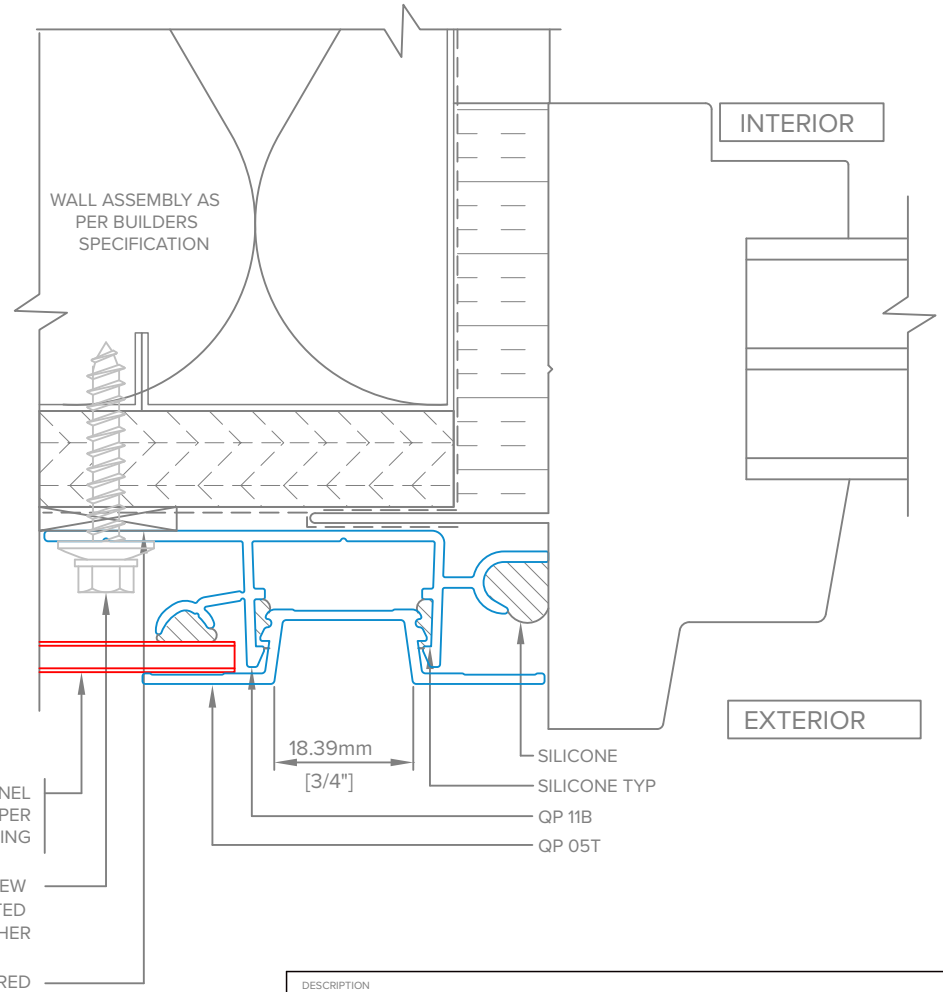
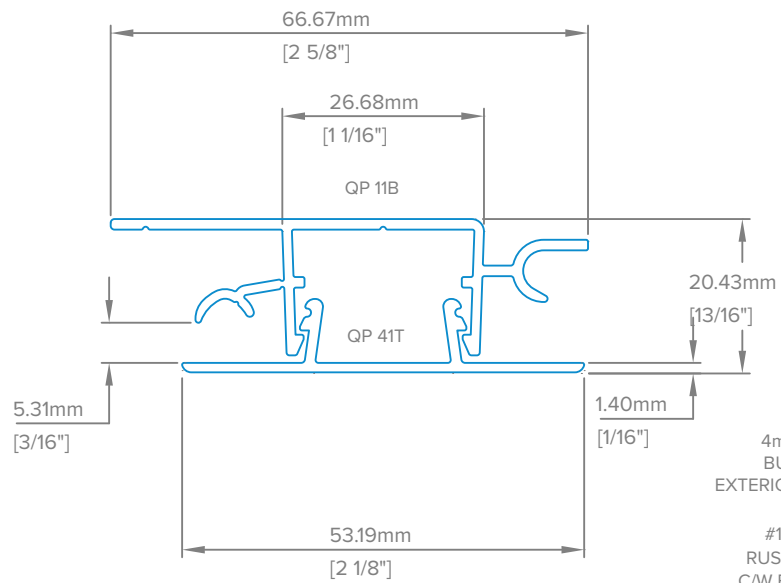


DESCRIPTION (PROJECTING) WINDOW HEAD DETAIL			
	SCALE	NTS	DRAWING NUMBER
	DATE	AUG2021	QP3.1
	DRWN BY	HJ	

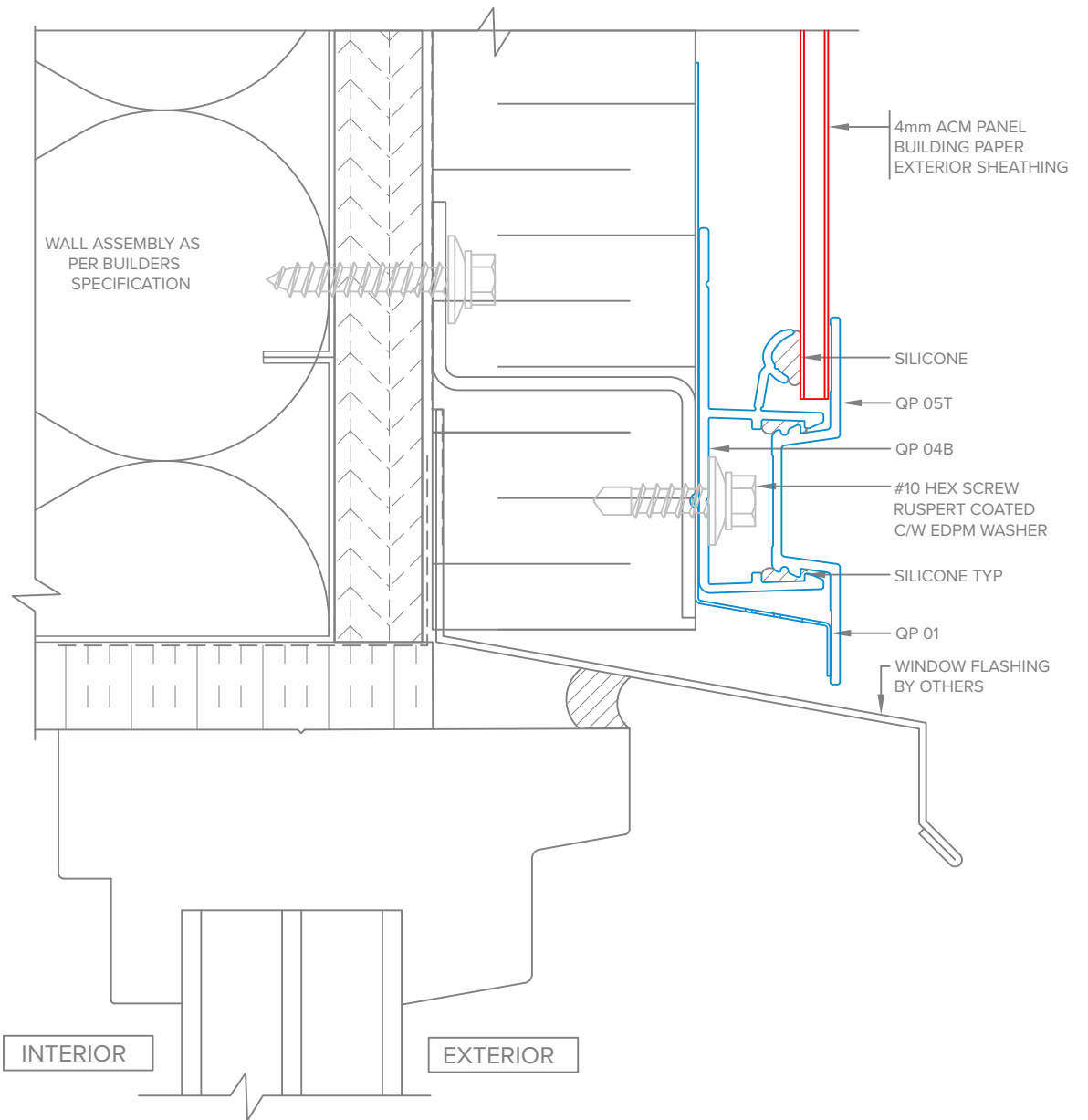
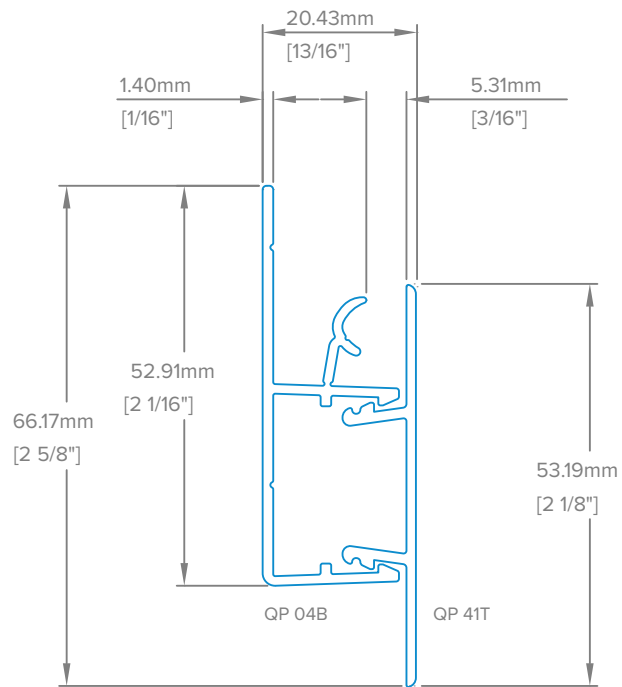
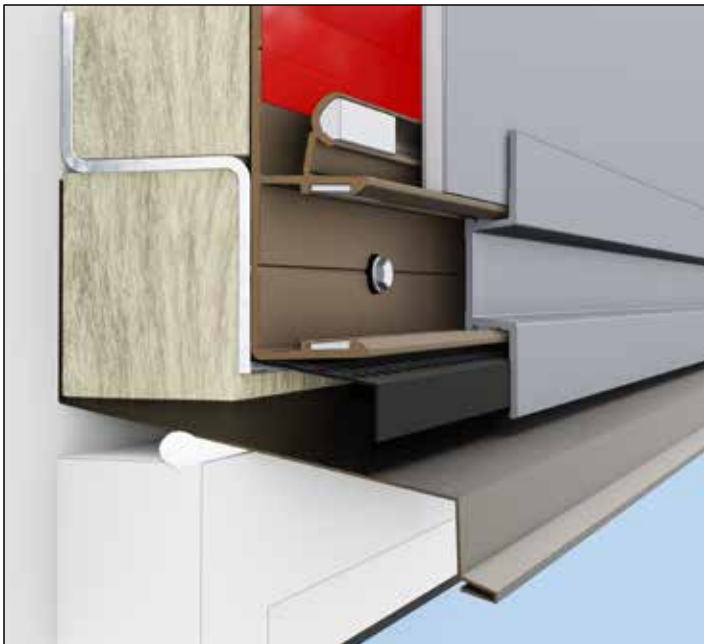


DESCRIPTION (PROJECTING) WINDOW SILL DETAIL			
 <b>QuickPanel</b> Systems	SCALE	NTS	DRAWING NUMBER
	DATE	AUG2021	QP3.2
	DRWN BY	HJ	

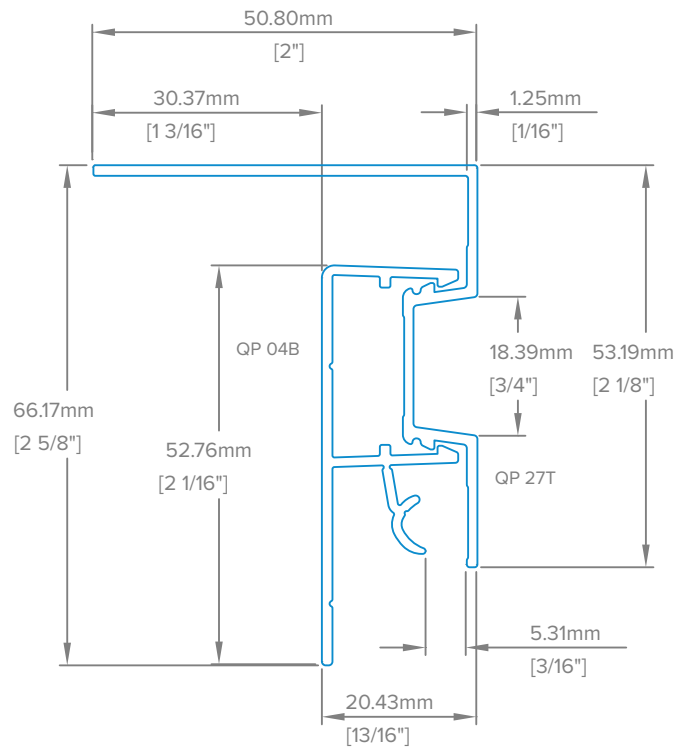
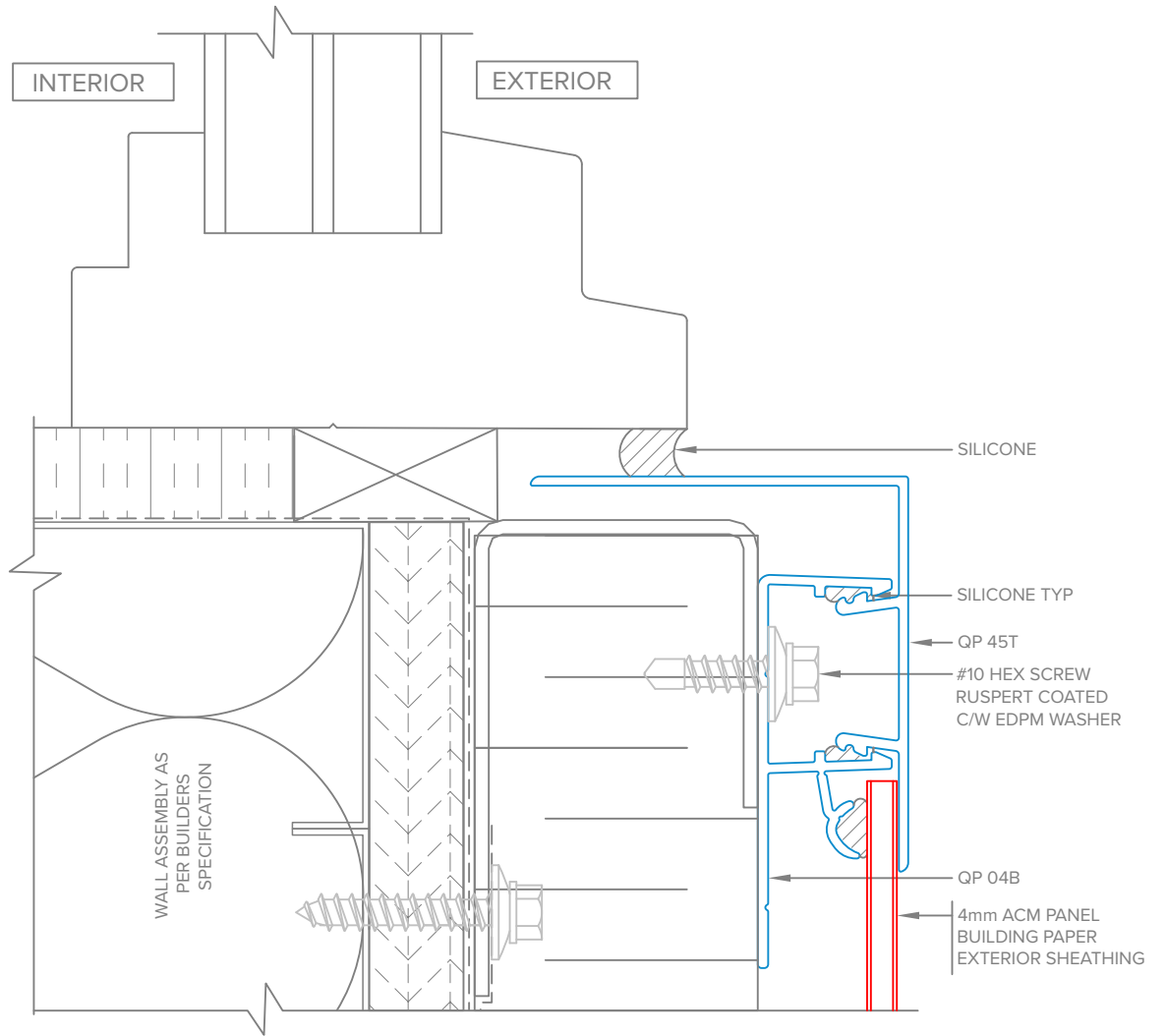





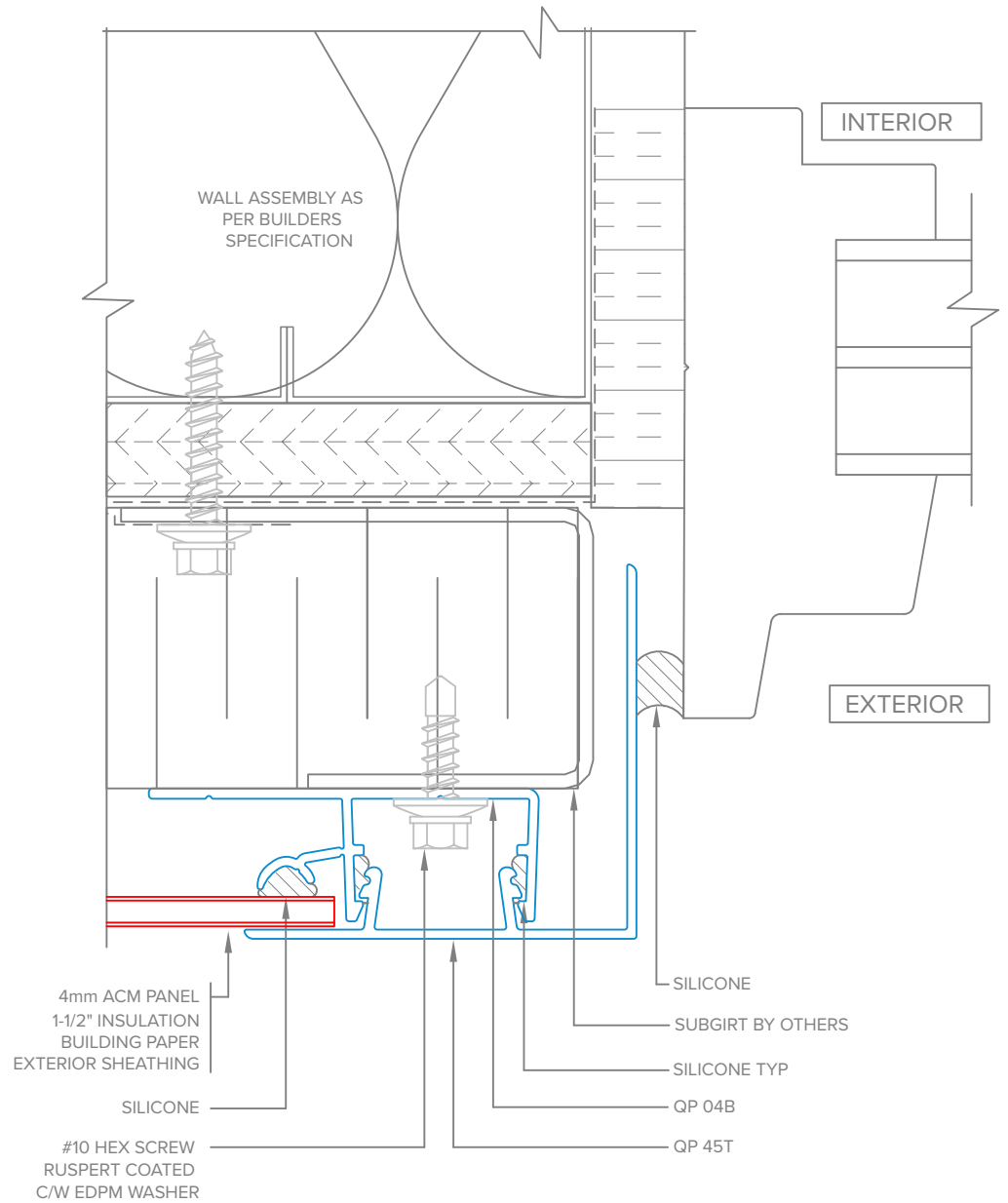
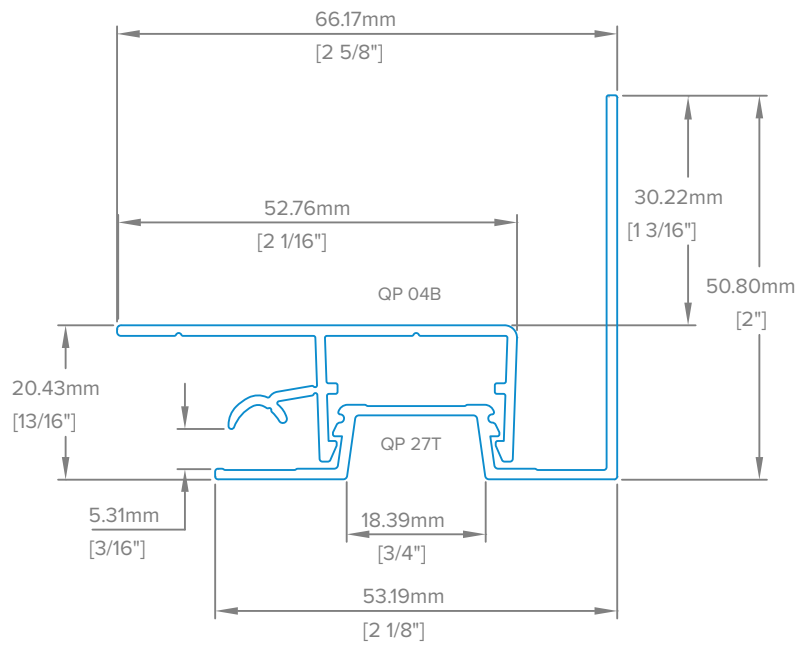
DESCRIPTION (PROJECTING) WINDOW JAMB DETAIL			
	SCALE	NTS	DRAWING NUMBER
	DATE	AUG2021	QP3.3
	DRWN BY	HJ	




DESCRIPTION (RECESSED) WINDOW HEAD DETAIL			
	SCALE	NTS	DRAWING NUMBER
	DATE	AUG2021	QP3.4
	DRWN BY	HJ	



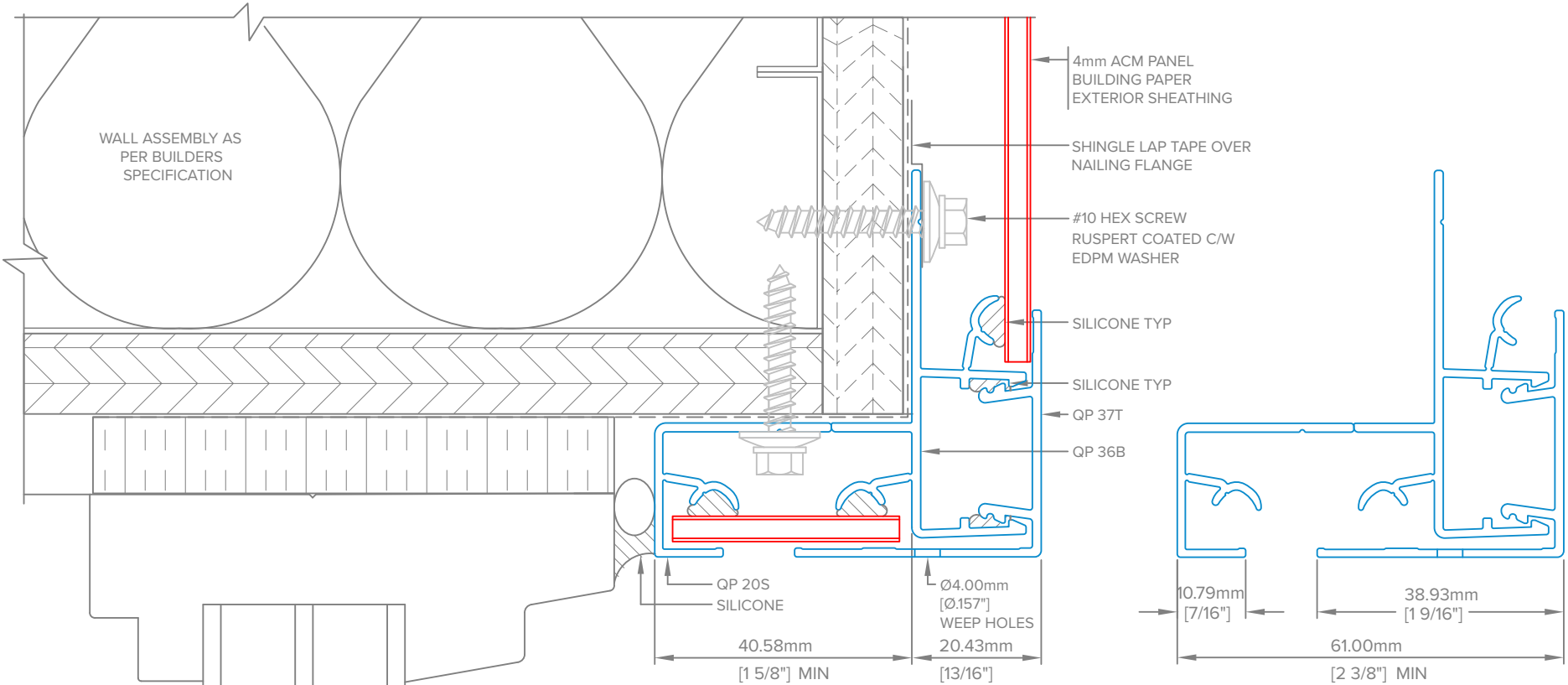
DESCRIPTION (RECESSED) WINDOW SILL DETAIL			
	SCALE	NTS	DRAWING NUMBER
	DATE	AUG2021	QP3.5
	DRWN BY	HJ	




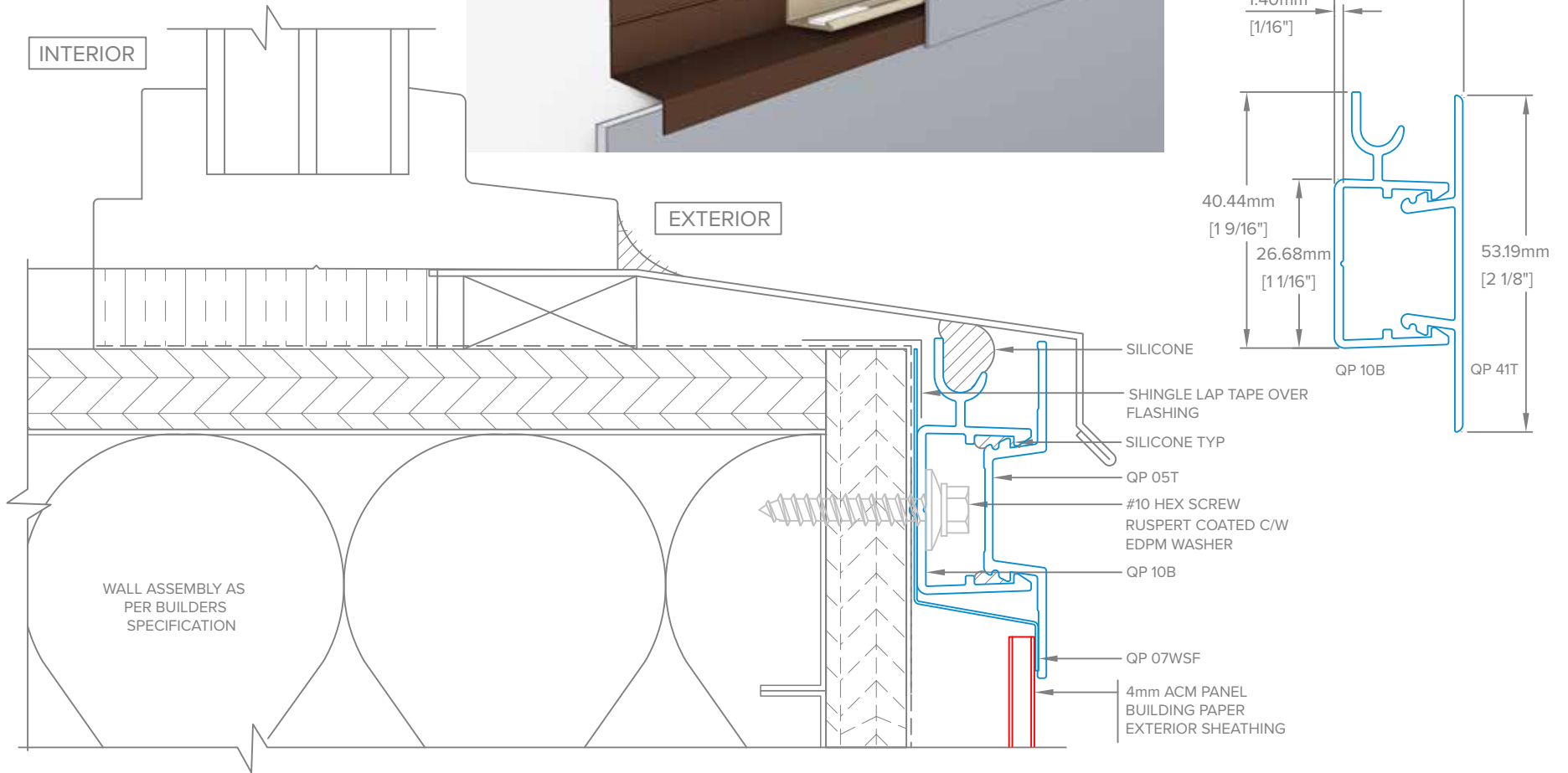
DESCRIPTION (RECESSED) WINDOW JAMB DETAIL			
	SCALE	NTS	DRAWING NUMBER
	DATE	AUG2021	QP3.6
	DRWN BY	HJ	




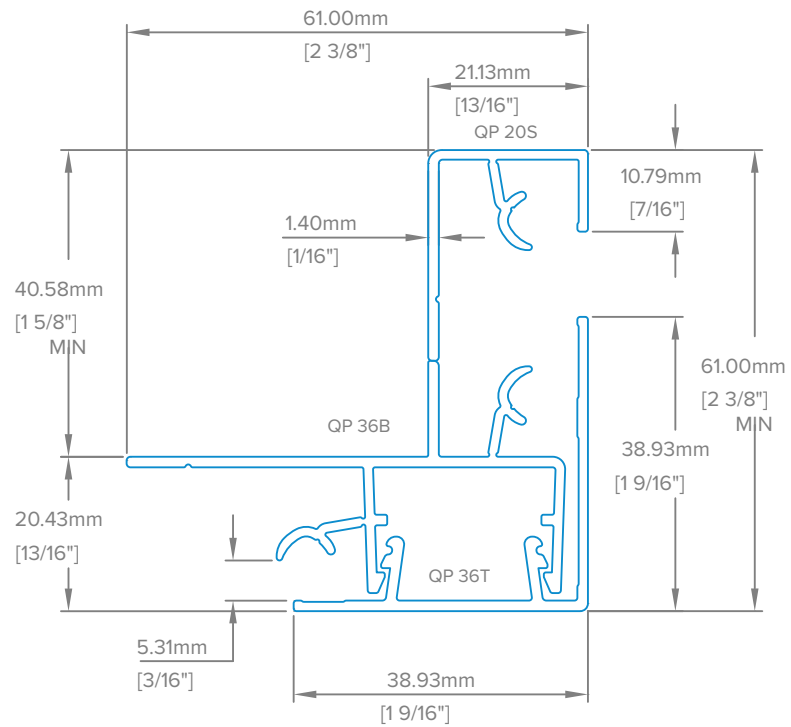
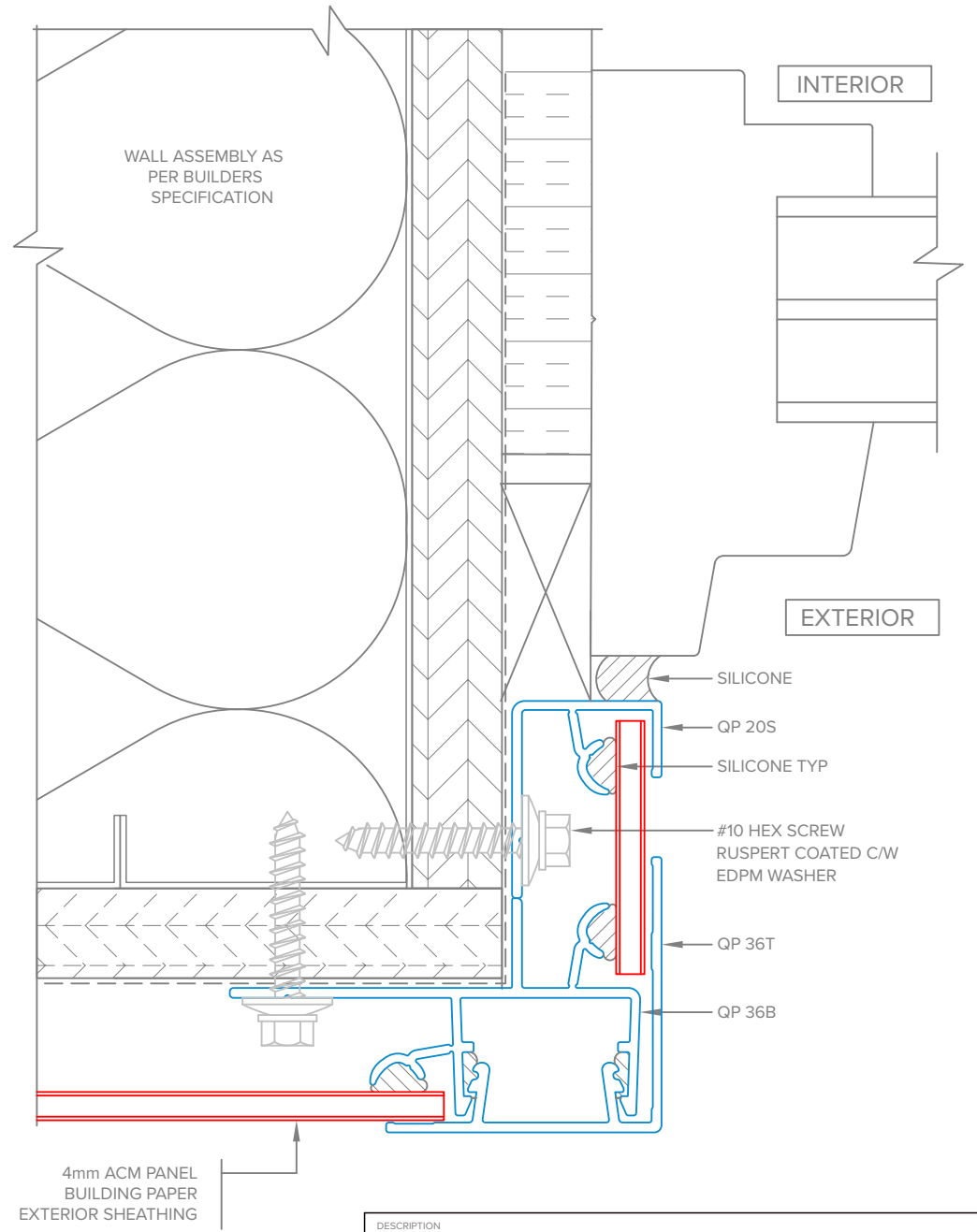
SEE PAGE QP3.9 FOR TRIM DIMENSIONS




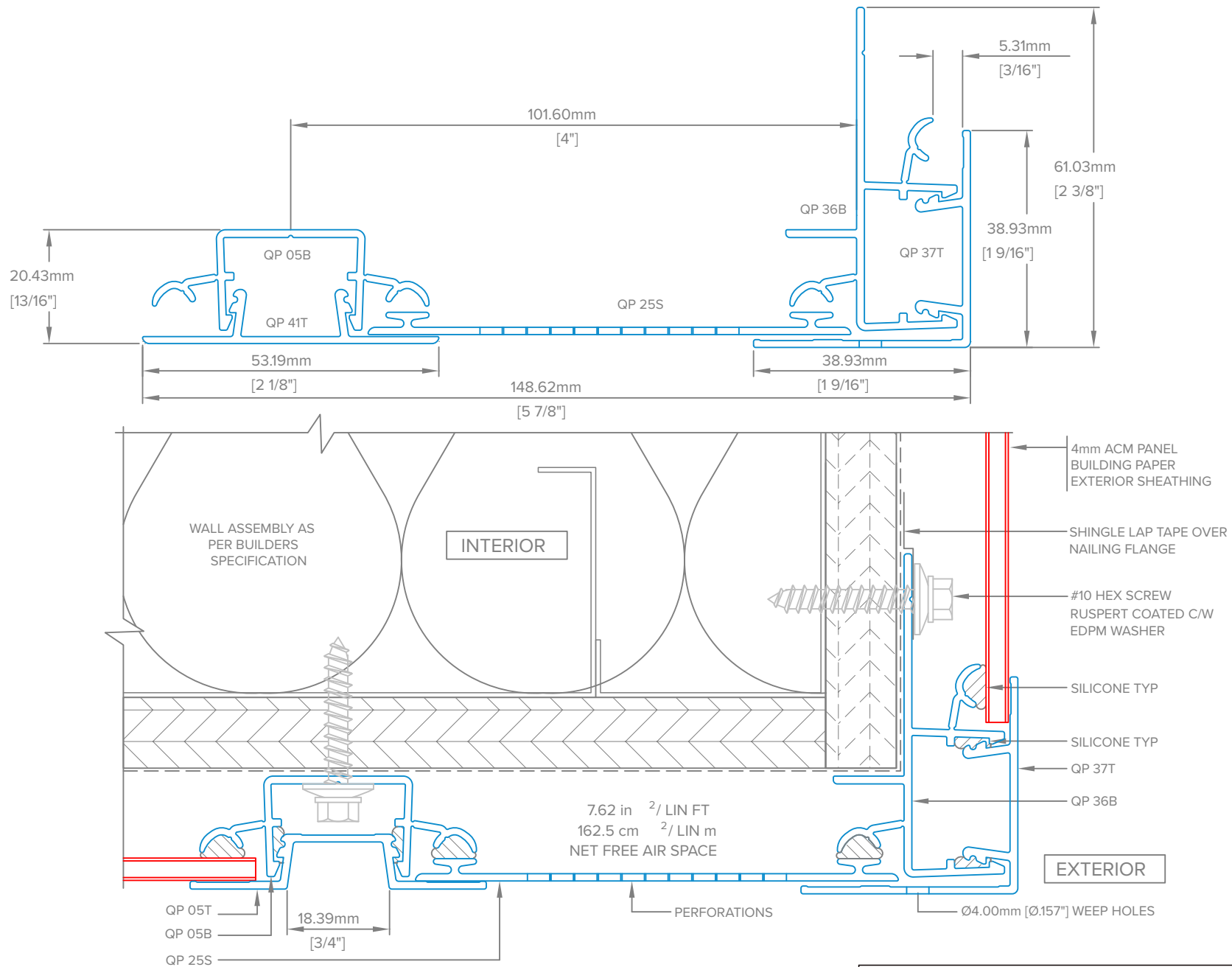
DESCRIPTION			
(RECESSED) WINDOW HEAD DETAIL			
 <b>QuickPanel</b> Systems	SCALE	NTS	DRAWING NUMBER
	DATE	AUG2021	QP3.7
	DRWN BY	HJ	



DESCRIPTION			
(RECESSED) WINDOW SILL DETAIL			
 <b>QuickPanel</b> Systems	SCALE	NTS	DRAWING NUMBER
	DATE	AUG2021	QP3.8
	DRWN BY	HJ	

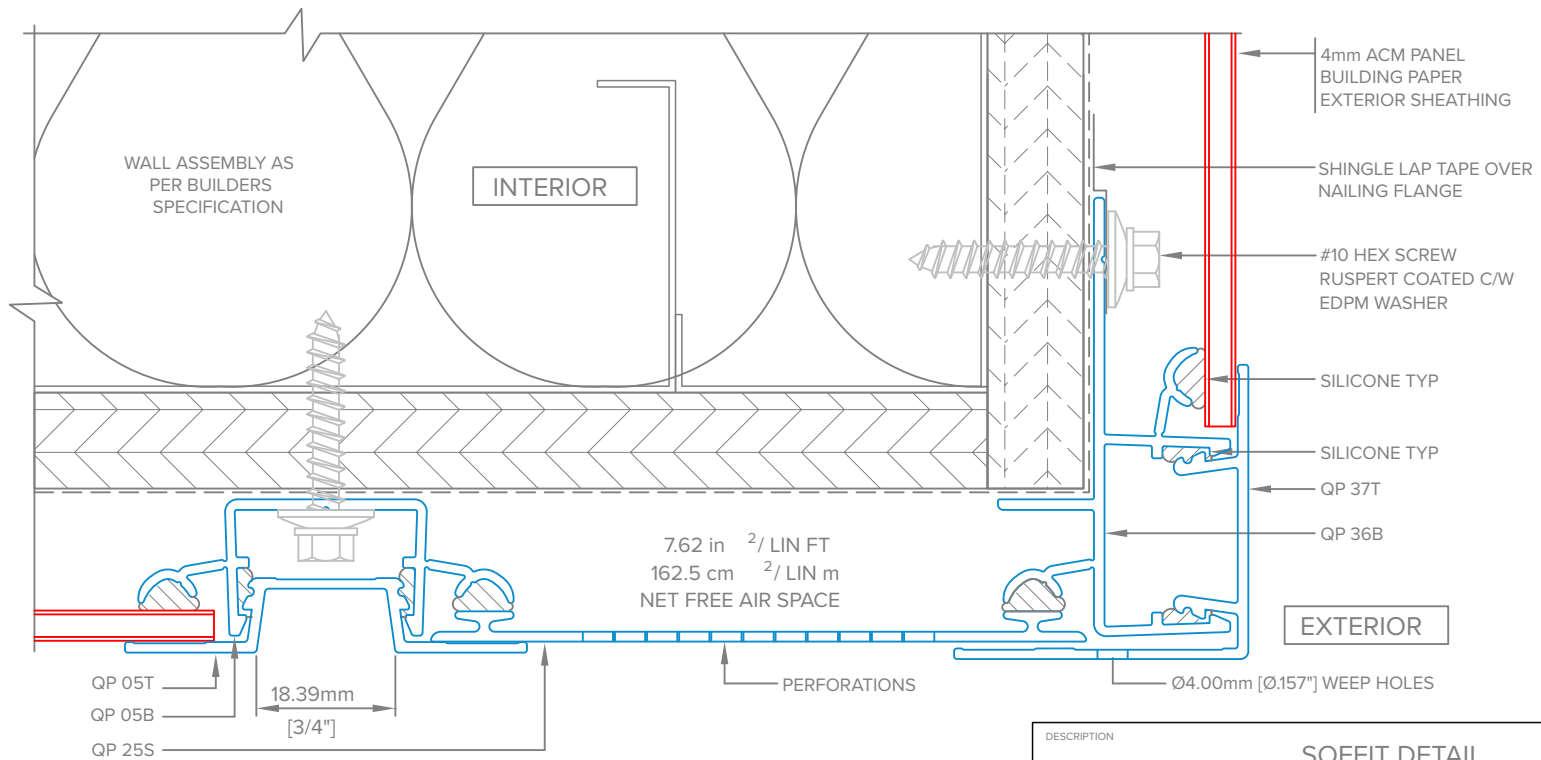



DESCRIPTION (RECESSED) WINDOW JAMB DETAIL			
 <b>QuickPanel</b> Systems	SCALE	NTS	DRAWING NUMBER
	DATE	AUG2021	QP3.9
	DRWN BY	HJ	

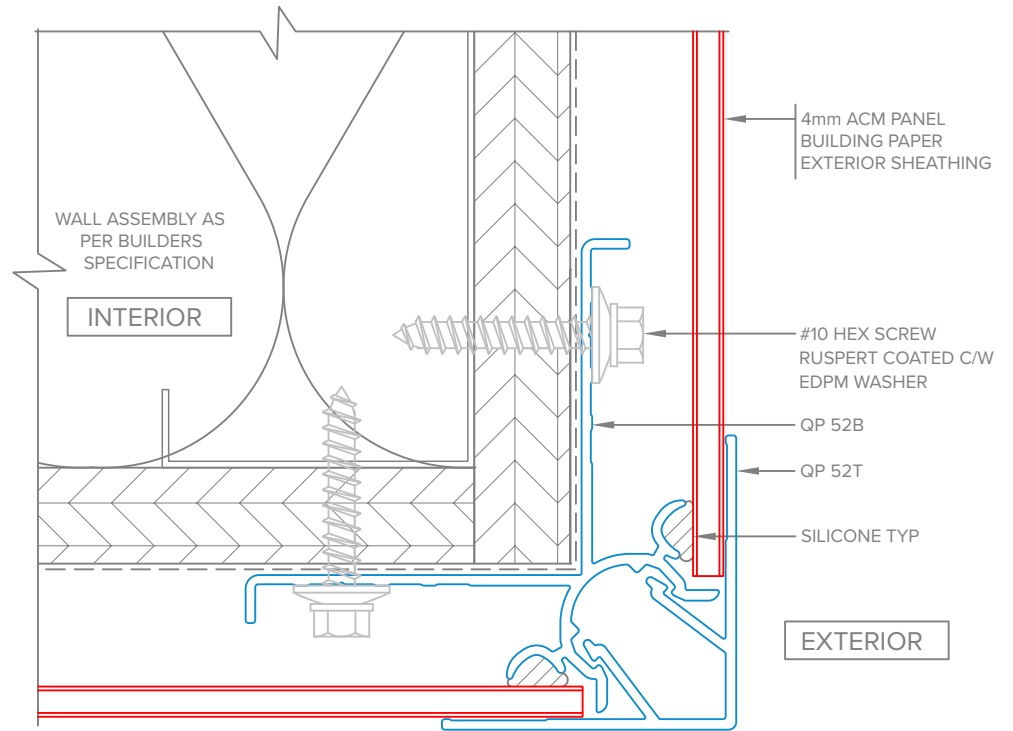
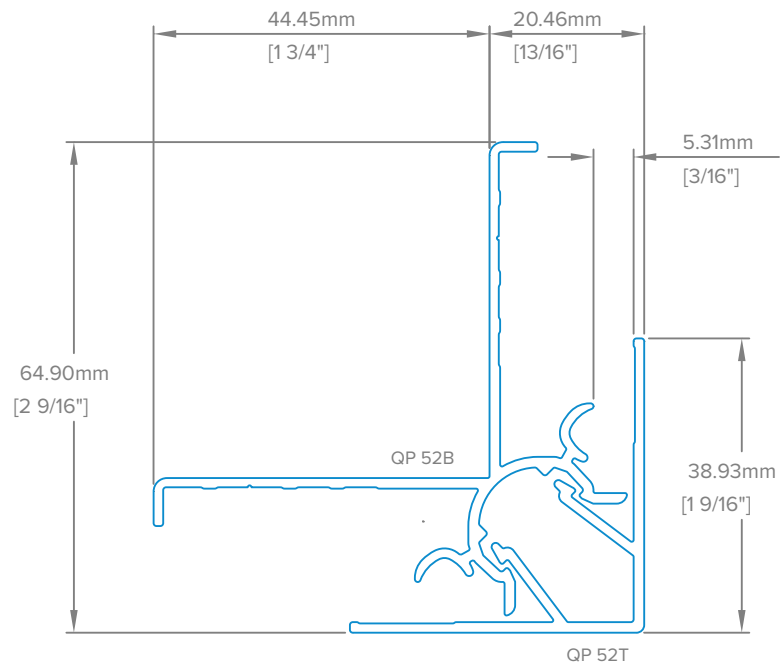
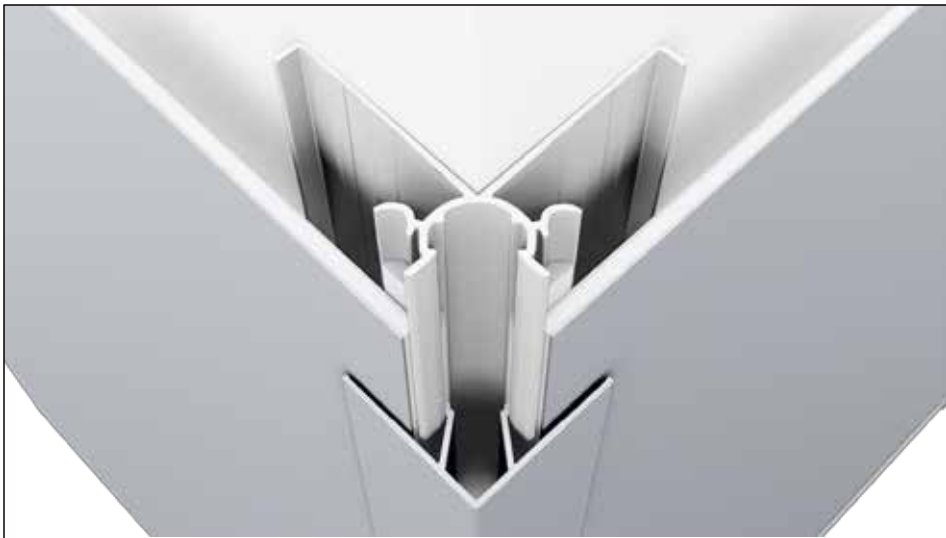



DESCRIPTION			
<b>SOFFIT DETAIL</b>			
 <b>QuickPanel</b> Systems	SCALE	NTS	DRAWING NUMBER
	DATE	AUG2021	QP4.1a
	DRWN BY	HJ	

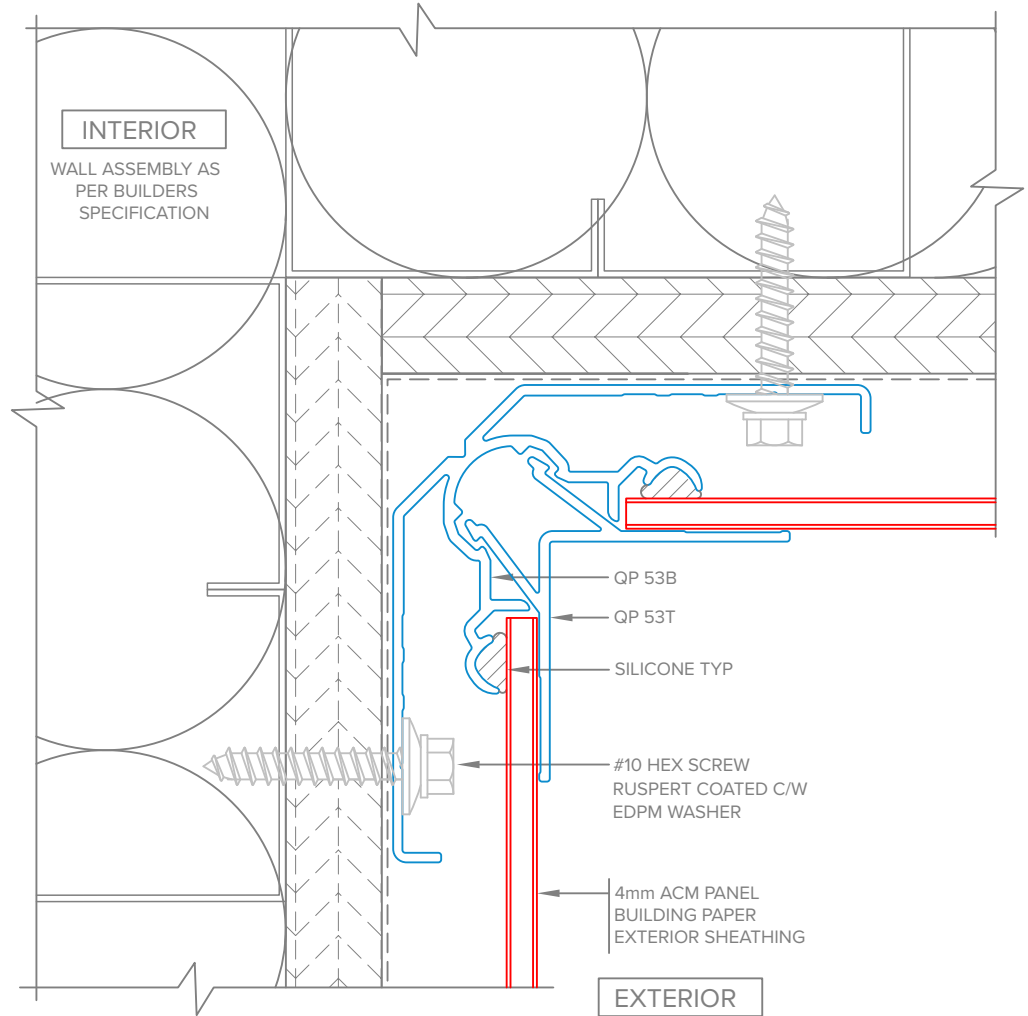
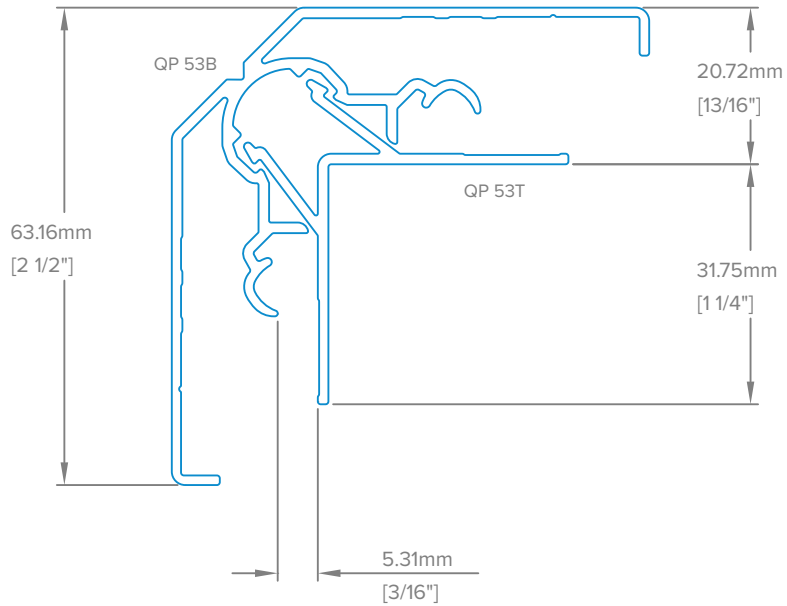
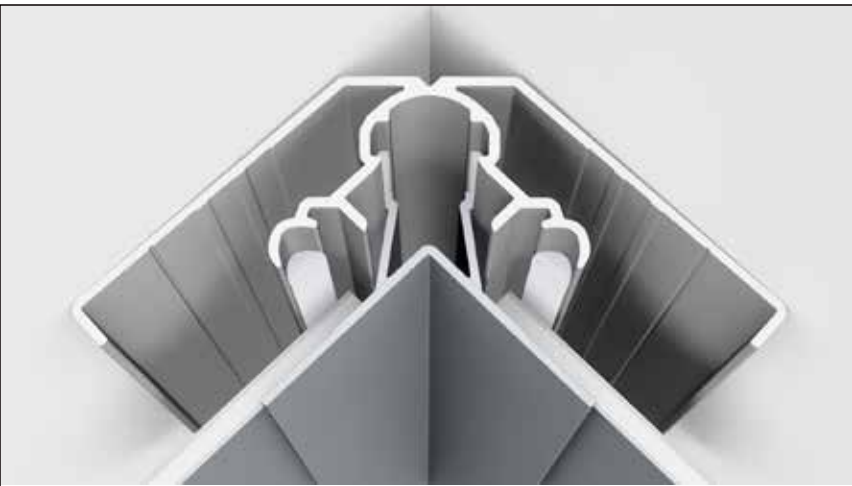





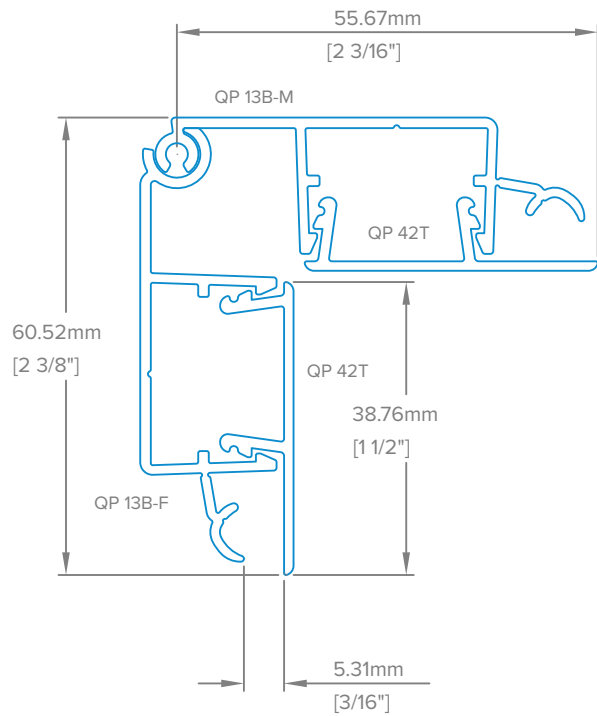
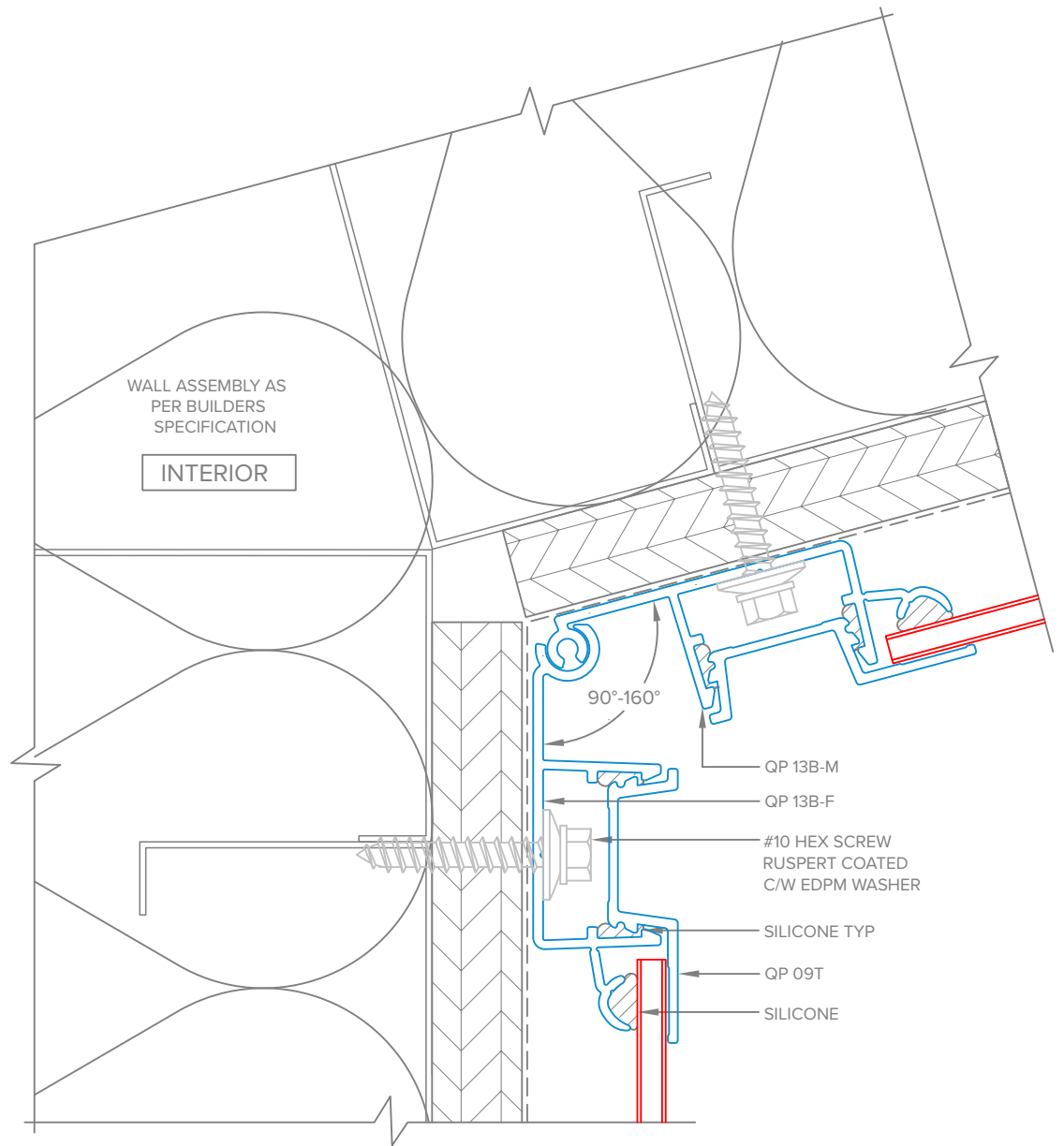
DESCRIPTION			
<b>SOFFIT DETAIL</b>			
 <b>QuickPanel</b> Systems	SCALE	NTS	DRAWING NUMBER
	DATE	AUG2021	QP4.1b
	DRWN BY	HJ	




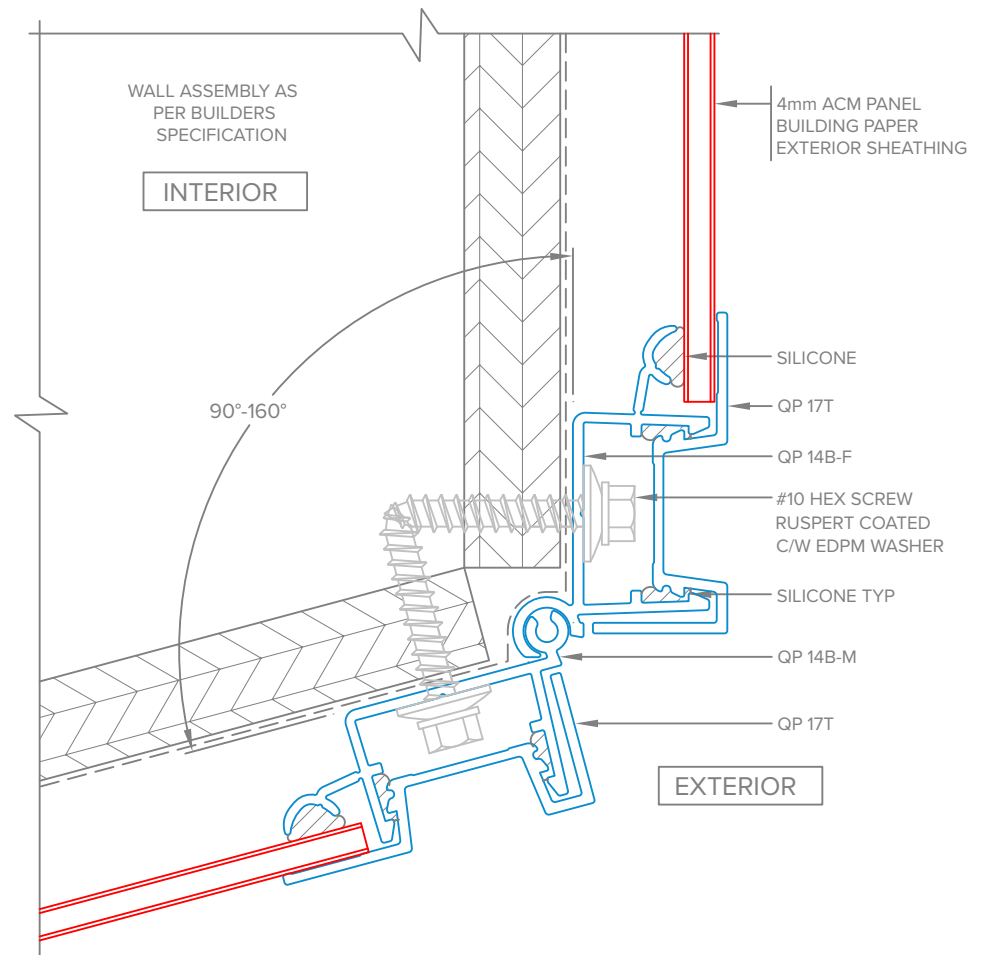
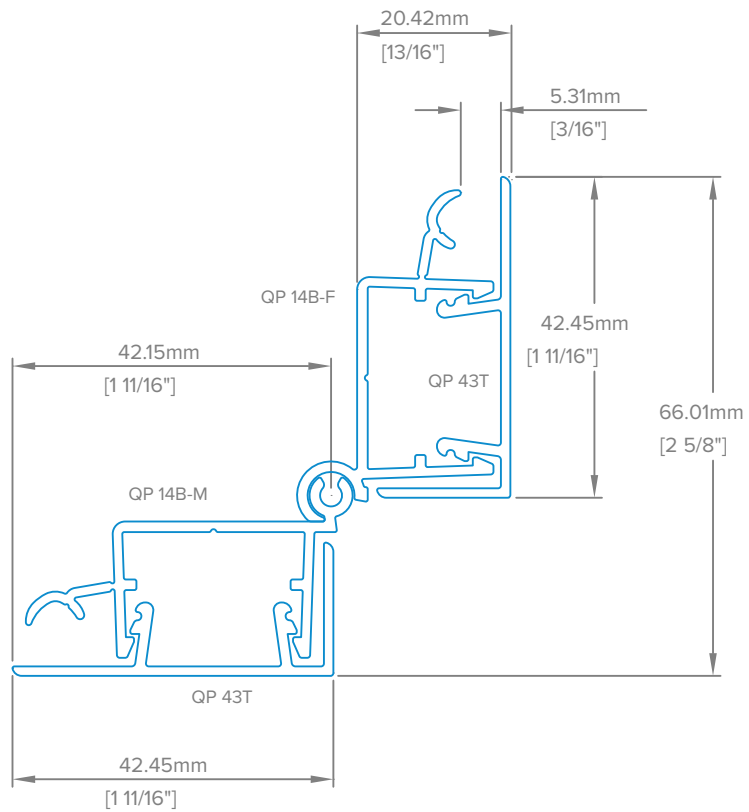
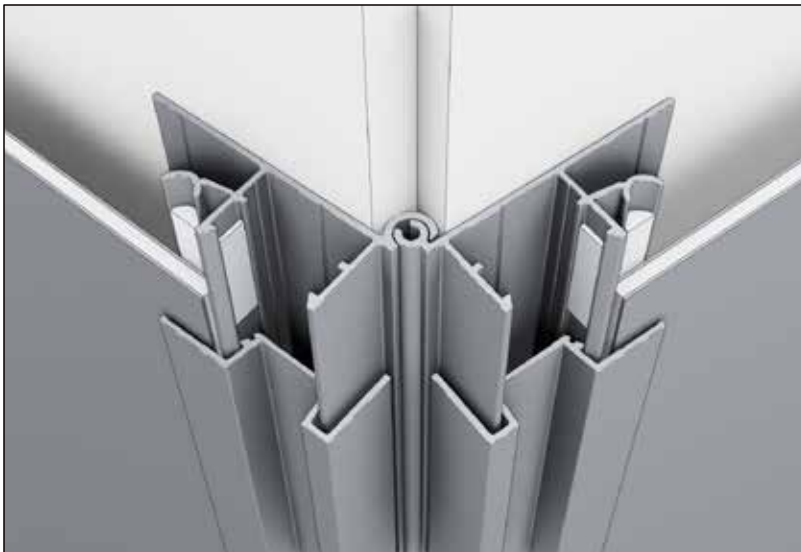
DESCRIPTION			
<b>OUTSIDE CORNER DETAIL</b>			
 <b>QuickPanel</b> Systems	SCALE	NTS	DRAWING NUMBER
	DATE	AUG2021	QP4.2
	DRWN BY	HJ	




DESCRIPTION			
<b>INSIDE CORNER DETAIL</b>			
 <b>QuickPanel</b> Systems	SCALE	NTS	DRAWING NUMBER
	DATE	AUG2021	QP4.3
	DRWN BY	HJ	



DESCRIPTION			
MULTI-ANGLE INSIDE CORNER DETAIL			
	SCALE	NTS	DRAWING NUMBER
	DATE	AUG2021	QP4.4
	DRWN BY	HJ	

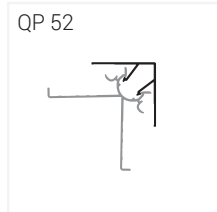


DESCRIPTION MULTI-ANGLE OUTSIDE CORNER DETAIL

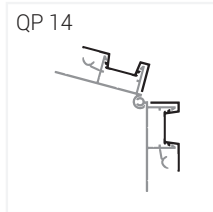
	SCALE	NTS	DRAWING NUMBER
	DATE	AUG2021	Q4.5
	DRWN BY	HJ	

**REVEAL SERIES™**

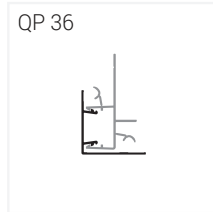
**OUTSIDE CORNERS**



QP 52  
Outside Corner Trim

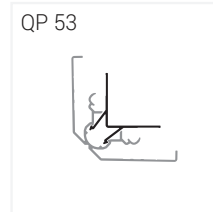


QP 14  
Multi-Angle Outside Corner Trim

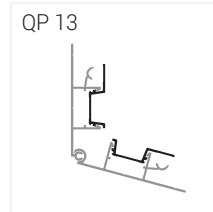


QP 36  
Vertical Window Return Trim

**INSIDE CORNERS**



QP 53  
Inside Corner Trim



QP 13  
Multi-Angle Inside Corner Trim

**J TRIM**



QP 20S  
General J Trim

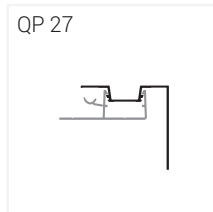
**VERTICAL TRIMS**



QP 05  
Vertical Main Wall Trim

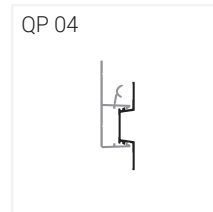


QP 17  
Vertical Termination Trim

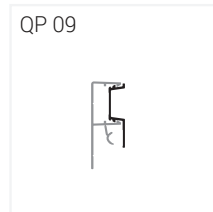


QP 27  
Vertical 2" Return Trim

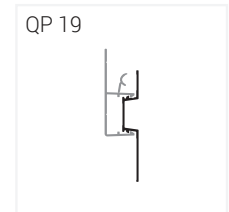
**HORIZONTAL TRIMS**



QP 04  
General Horizontal Trim

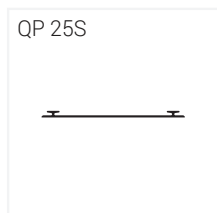


QP 09  
Soffit Termination Trim

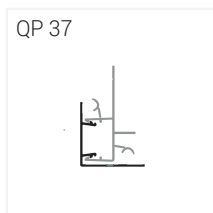


QP 19  
Horizontal Compression Trim

**SOFFIT TRIMS**

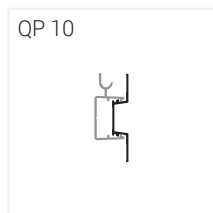


QP 25S  
Vented Soffit Strip

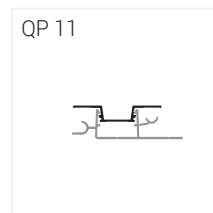


QP 37  
Perforated Soffit Return Trim

**WINDOW TRIMS**

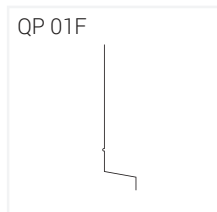


QP 10  
Horizontal Window Sill Trim



QP 11  
Vertical Window Jam Trim

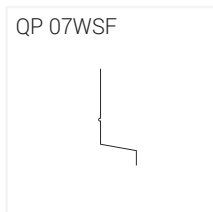
**FLASHING**



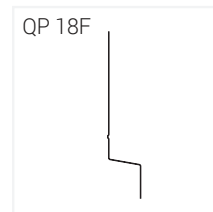
QP 01F  
Perforated Starter Flashing



QP 07F  
Horizontal Flashing

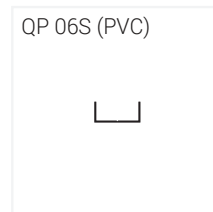


QP 07WSF  
Window Flashing



QP 18F  
Compression Flashing

**FURRING SPACER**



QP 06S (PVC)  
Rainscreen Furring Spacer

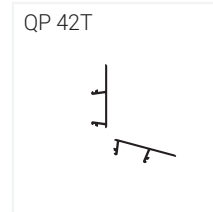
## ABSOLUTE SERIES™

### OUTSIDE CORNERS



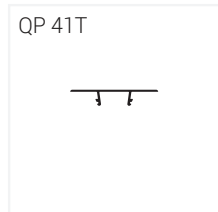
QP 43T  
Multi-Angle Outside  
Corner Trim

### INSIDE CORNERS

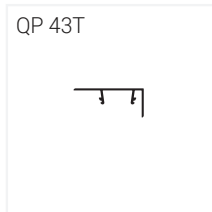


QP 42T  
Multi-Angle Inside  
Corner Trim

### VERTICAL TRIMS



QP 41T  
Vertical Main Wall Trim

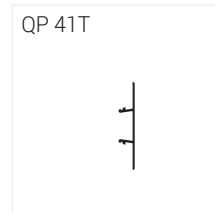


QP 43T  
Vertical Termination Trim

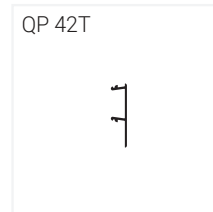


QP 45T  
Vertical 2" Return Trim

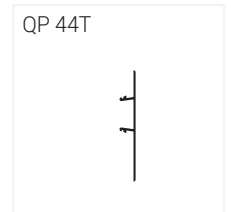
### HORIZONTAL TRIMS



QP 41T  
General Horizontal Trim

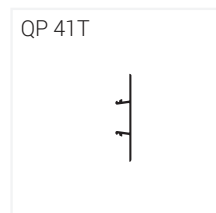


QP 42T  
Soffit Termination Trim

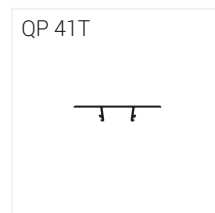


QP 44T  
Horizontal  
Compression Trim

### WINDOW TRIMS



QP 41T  
Horizontal Window Sill Trim



QP 41T  
Vertical Window Jam Trim