


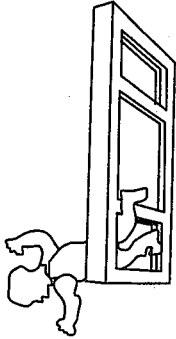
IMPORTANT SAFETY INFORMATION
 PLEASE LEAVE SAFETY INFORMATION FOR THE OCCUPANT
DUAL ACTION WINDOW OPENING CONTROL DEVICE



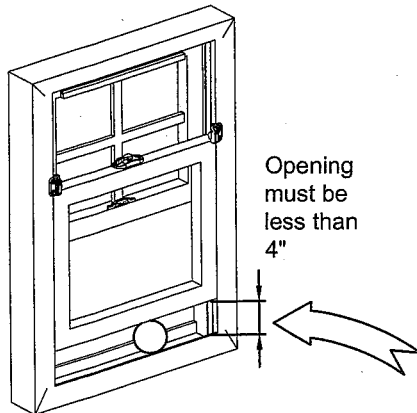
WARNING

 Maximum sash size limited by sash weight. Do not exceed 75lbs sash weight.

POSSIBLE FALL HAZARD

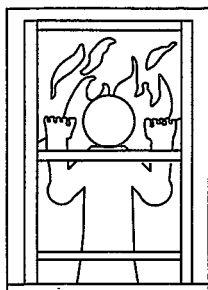


1. Young children may fall out of the window if the WOCD is not installed correctly.
2. Follow manufacturer's assembly and installation instructions carefully. Failure to do so may result in accidental falls.
3. This WOCD is designed to protect against accidental window falls by children five years and younger.
4. This WOCD is not a substitute for careful supervision of all young children.
5. Keep WOCD engaged unless needed for an emergency.



1. Use only recommended materials & techniques.
2. Make sure WOCD is securely attached to the window.
3. Make sure the window frame is in good condition.
4. Install WOCD so that a rigid sphere 4 inches in diameter cannot pass through the lowest portion of the window opening.
5. Release mechanism and releasable window opening control device(s) be maintained and tested on a monthly basis (once a month) and after testing be closed securely.
6. All household members six years old and older should know how to operate the release mechanism in case of an emergency.

NO WINDOW RESCUE ABOVE 75 FEET (6th FLOOR)

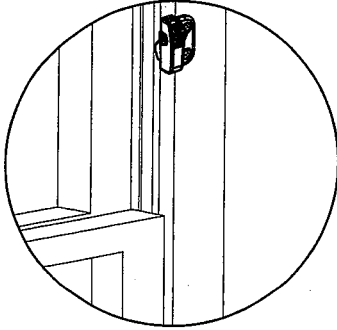


1. Fire rescue ladder may not reach beyond 75 feet (6th floor).
2. do not rely on being rescued from windows above 75 feet (6th floor) - follow building fire escape plan

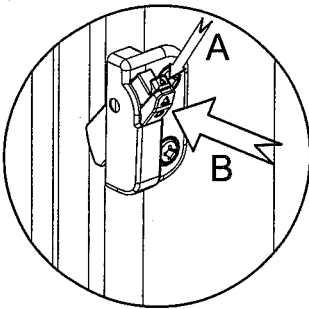
BLOCKS ESCAPE IN FIRE AND EMERGENCY UNLESS RELEASED

- 1.) Follow enclosed instructions to operate WOCD to open window.
- 2.) Never apply padlocks or devices that require a key or tool to unlock them to the WOCD.

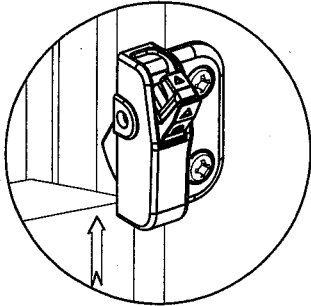
1. WOCD engaged



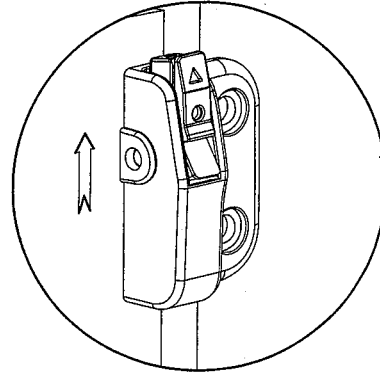
2. Disengage WOCD by Pushing the red button (A) , meanwhile pushing in the toungue (B)



3. Open the sash



4. Toungue should retract into WOCD housing during sash operation



5. Close the Sash. The WOCD should reset. If WOCD does not reset, recheck installation and operation. If it still does not reset contact window manufacturer.

